

Verderflex EV045



VERDERFLEX®

Verderflex Economy EV045 Specifications

Speeds	5 to 60 RPM
Control	Manually controlled through potentiometer, fast prime, reversible
Pumphead	Black Cyclopol or optional Noryl (grey)
Rotor Assembly	Polycarbonate rotor with Two Nylatron® Rollers
Voltage	110/230V 50/60Hz
Installed Motor Power	20W
Protection Class	IP30
Standard Tube Options	Verderprene, Silicone, Viton® and Tygon® *
Standard Tube Sizes	1.6 x 1.6 mm, 3.2 x 1.6 mm, 4.0 x 1.6 mm
Weight	1.7 kg

*Tygon is not available in 4.0 x 1.6 mm tubing as standard

Flow Rates

Tube	Min. Flow (ml/min)	Max. Flow (ml/min)
1.6 x 1.6	0.7	12
3.2 x 1.6	3.0	36
4.0 x 1.6	5.0	60

Flows are typical and were measured with water at 20°C with no suction lift or discharge pressure. Actual flows will vary according to suction conditions, discharge pressure, tube material and production tolerances.

Standard Pump Ordering Options

1.6 x 1.6 Verderprene Tube Assembly

UK Plug	160.4000	VF ECONOMY EV 045 1.6 VP UK
European Plug	160.4001	VF ECONOMY EV 045 1.6 VP EU
US Plug	160.4002	VF ECONOMY EV 045 1.6 VP US

3.2 x 1.6 Verderprene Tube Assembly

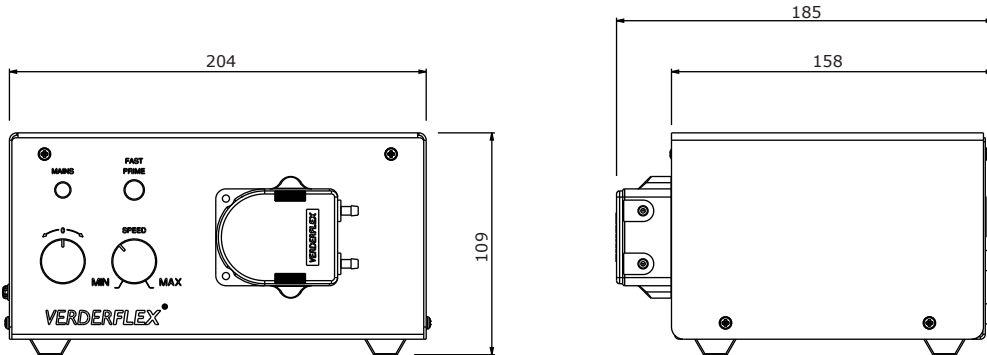
UK Plug	160.4100	VF ECONOMY EV 045 3.2 VP UK
European Plug	160.4101	VF ECONOMY EV 045 3.2 VP EU
US plug	160.4102	VF ECONOMY EV 045 3.2 VP US

4.0 x 1.6 Verderprene Tube Assembly

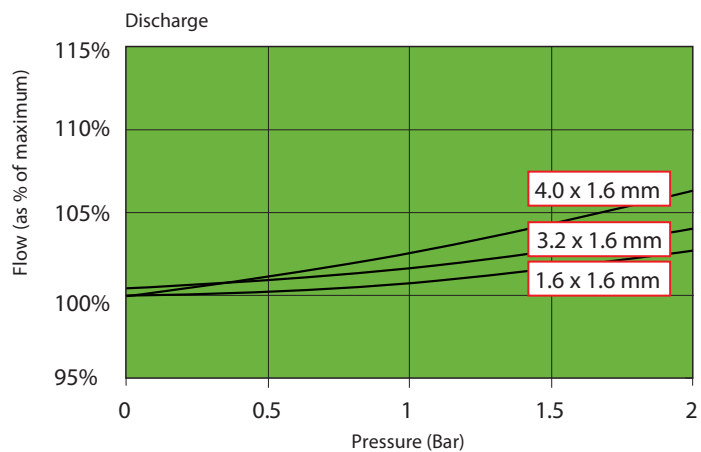
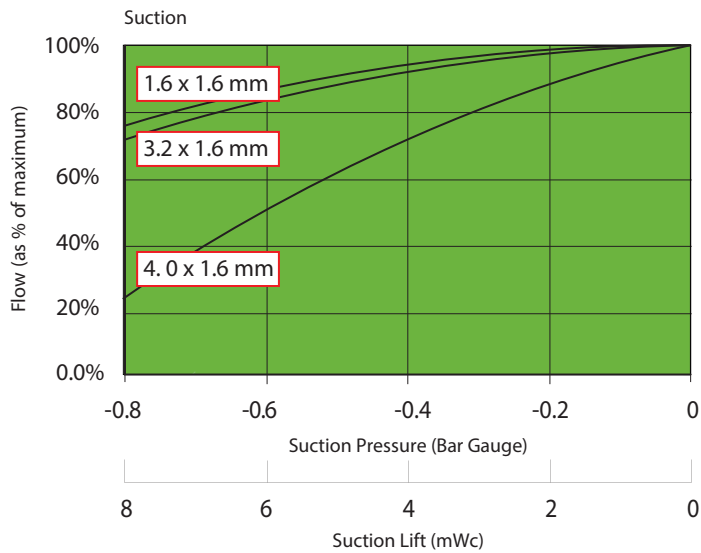
UK Plug	160.4200	VF ECONOMY EV 045 4.0 VP UK
European Plug	160.4201	VF ECONOMY EV 045 4.0 VP EU
US plug	160.4202	VF ECONOMY EV 045 4.0 VP US



Verderflex EV045



All dimensions are in mm.
All dimensions and weights are for guidance only.



Find your local supplier
at www.verderflex.com

For construction installation and floor mounting drawings
please contact your local authorised Verderflex® distributor.

VERDER
passion for pumps



Wolflabs

Wolf Laboratories Limited

www.wolflabs.co.uk

Tel: 01759 301142

Fax: 01759 301143

sales@wolflabs.co.uk



Use the above details to contact us if this literature doesn't answer all your questions.

Pricing on any accessories shown can be found by keying the part number into the search box on our website.

The specifications listed in this brochure are subject to change by the manufacturer and therefore cannot be guaranteed to be correct. If there are aspects of the specification that must be guaranteed, please provide these to our sales team so that details can be confirmed.

