

# SERIES S 55 | LINE REGULATOR

- Diaphragm single stage
- Purity up to 6.0
- Inlet pressure:  
50 bar (725 psi)
- Outlet pressure:  
3/8/10/16/35 bar  
44/116/145/232/508 psi

- ★ Accurate pressure delivery
- ★ Compact design
- ★ 2 inlets / 2 outlets
- ★ Rear Inlet for panel mounting
- ★ O<sub>2</sub> applications compatible (see technical data)

Special requirements on request

## APPLICATIONS

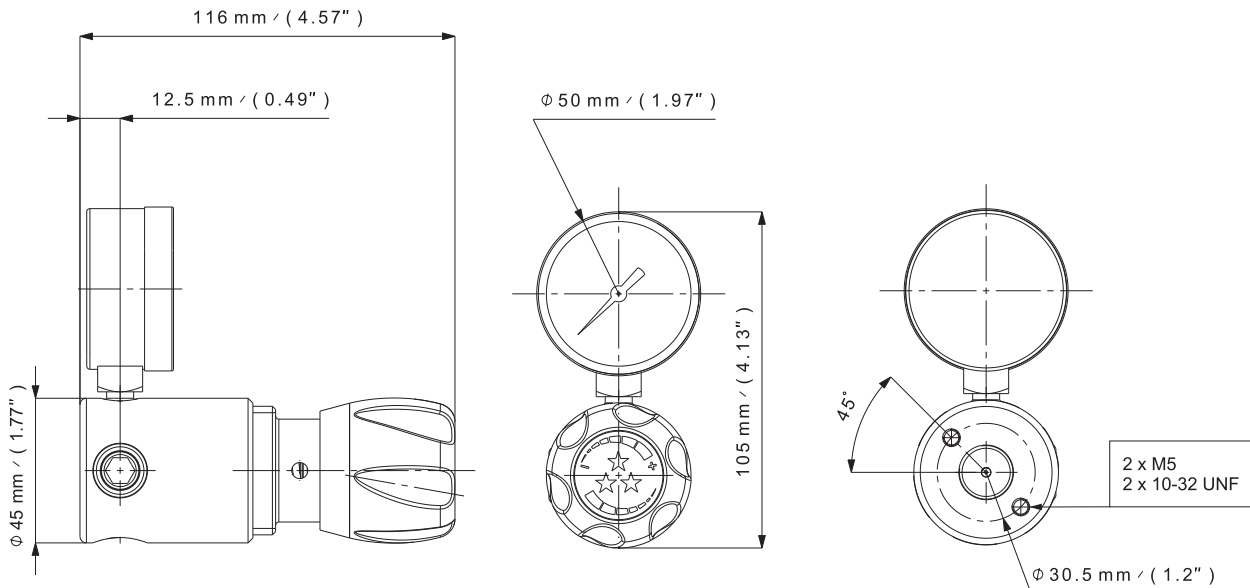
- Designed for line regulator applications in petrochemical, industrial and laboratory environments.
- Used in calibration gas mixtures for petrochemical industry; environmental emission monitoring, industrial hygiene or safety monitors and trace impurity analyzers.
- Also commonly used to oxygenate fish-breeding tanks.

## KEY FEATURES

- With its compact design, the rear threads and its fixing ring it can be used for wall or panel mounting.
- Multiple mounting possibilities due to its inlet/outlet.



Rear inlet view

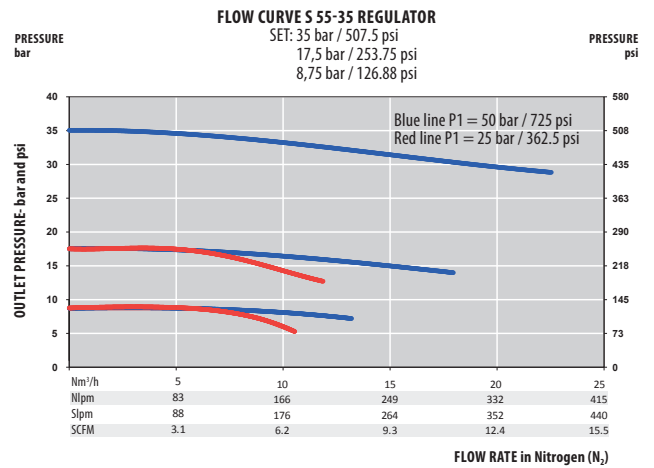
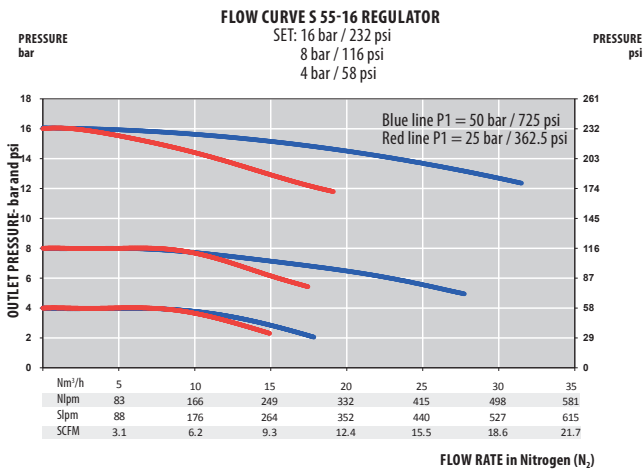
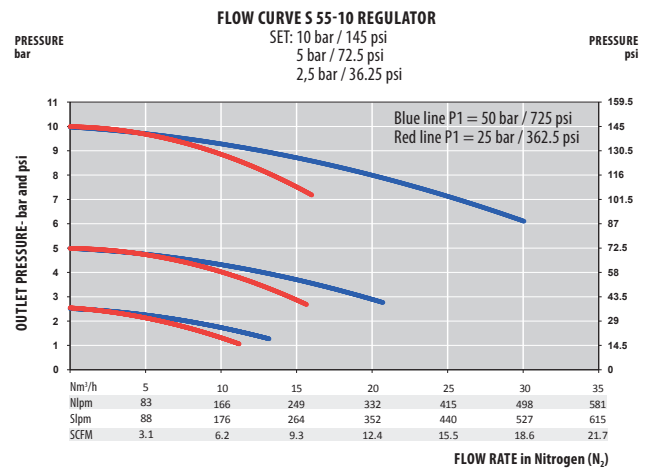
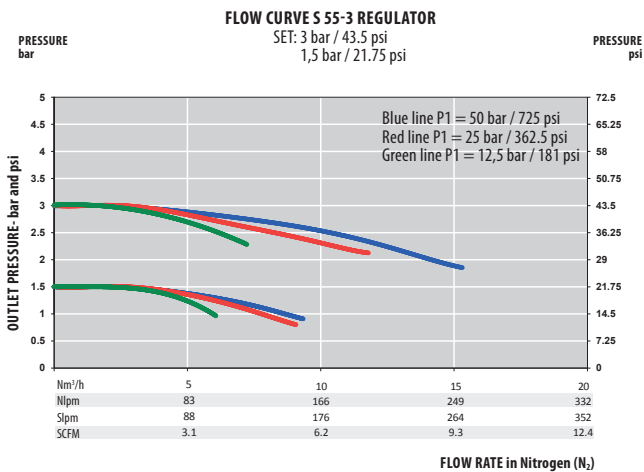


# LOW-PRESSURE REGULATORS

## SPECIFICATIONS

<b>Female ports</b>	G 3/8 or 1/4 NPT (inlet/outlet)	<b>Weight</b>	± 0,8 kg ± 1.8 lbs	<b>Inlet pressure</b>	50 bar 725 psi
<b>Seat seal</b>	EPDM	<b>Leak rate</b>	10 <sup>-9</sup> mbar ℓ/s He	<b>Outlet pressure</b>	3/8/10/16/35 bar 44/116/145/232/508 psi
<b>O-ring</b>	EPDM - Standard NBR FPM	<b>Temperature range</b>	-20°C to +60°C -4°F to +140°F	<b>Nominal Flow</b>	2,5/3/3,5/5,5/10 Nm <sup>3</sup> /h (N <sub>2</sub> )
<b>Diaphragm</b>	AISI 304 (3/8/10 bar) Hastelloy® (16/35 bar)	<b>Gauges</b>	Low pressure (M10 x 1 or 1/4 NPT)	<b>Oxygen use</b>	inlet pressure ≤ 30 bar max. for brass and stainless steel

## FLOW CURVES



## PRODUCT CONFIGURATOR

Body Material		Outlet Pressure	End Connections	O-ring Material	Gauges	Mounting	Ports Configuration
S	L	55	35	G	1	FR1	A
	Chrome plated brass	3 bar 44 psi	G 3/8 - G 3/8	EPDM - Standard	Without	Without Fixing Ring	Standard configuration
	Stainless steel	8 bar 116 psi	1/4 NPT - 1/4 NPT	NBR	With	With Fixing Ring	Reverse inlet/outlet
		10 bar 145 psi		FPM			
		16 bar 232 psi					
		35 bar 508 psi					



**Wolflabs**

# Wolf Laboratories Limited

[www.wolflabs.co.uk](http://www.wolflabs.co.uk)

Tel: 01759 301142

Fax: 01759 301143

[sales@wolflabs.co.uk](mailto:sales@wolflabs.co.uk)



**Use the above details to contact us if this literature doesn't answer all your questions.**

**Pricing on any accessories shown can be found by keying the part number into the search box on our website.**

The specifications listed in this brochure are subject to change by the manufacturer and therefore cannot be guaranteed to be correct. If there are aspects of the specification that must be guaranteed, please provide these to our sales team so that details can be confirmed.

