

SERIES DC 50 | HIGH FLOW LINE REGULATOR

- Diaphragm single stage
- Balanced-Valve Technology
- Purity up to 5.0
- Inlet pressure:
50 bar (725 psi)
- Outlet pressure:
8/15/40 bar
116/217/580 psi
- Acetylene version (AD - C₂H₂):
P1=20 bar (290 psi)
P2=0,8 bar (12 psi)

- ★ 1 inlet / 1 outlet
- ★ Rear thread for panel mounting
- ★ O₂ application compatible
- ★ High flow

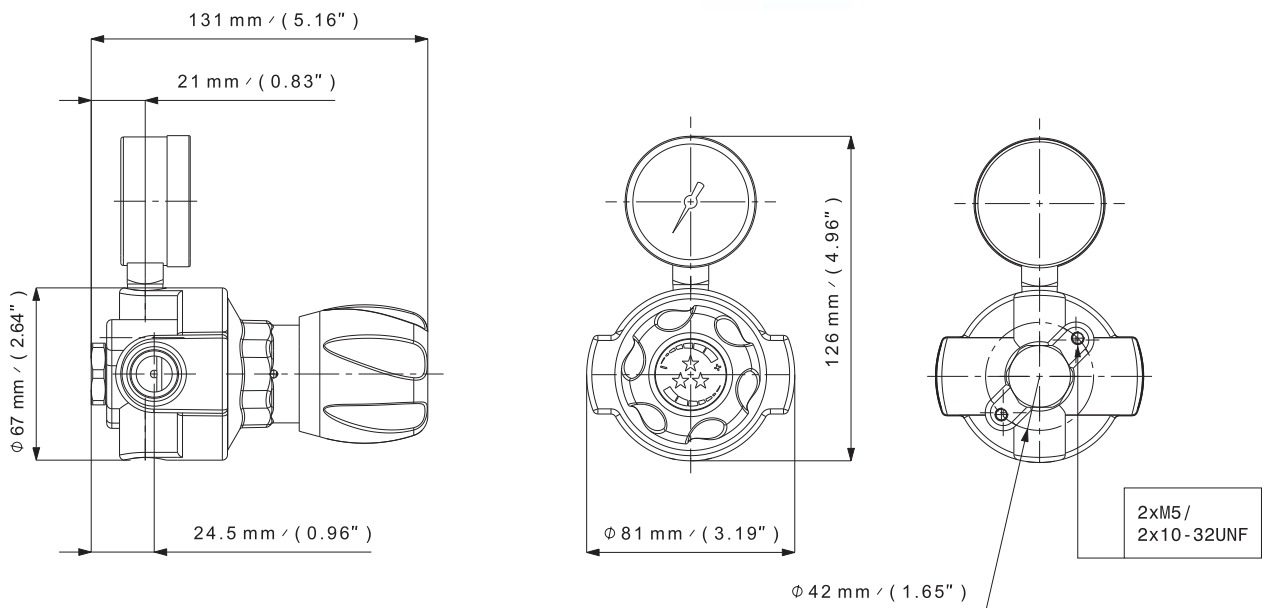
Special requirements on request

APPLICATIONS

- For all applications requiring a low pressure with high flow.
- Ideally suited as line regulator in combination either with MOD supply board or CEN switch over board.

KEY FEATURES

- Low pressure regulator with high flow, without vibration.
- Best-in-class pressure stability with Balanced-Valve Technology: the effect of inlet pressure fluctuations on outlet pressure is minimized. BV-technology enables the delivery of a very stable outlet pressure and flow even with high flow line regulators.
- reduced strain on the seat increases regulator life and reduces the ownership cost.
- Acetylene version available:
P1=20 bar/P2=0,8 bar/Q=10 Nm³/h
- For use with acetylene this product must be installed with a flash back arrestor complying with the standard EN 730 located downstream.

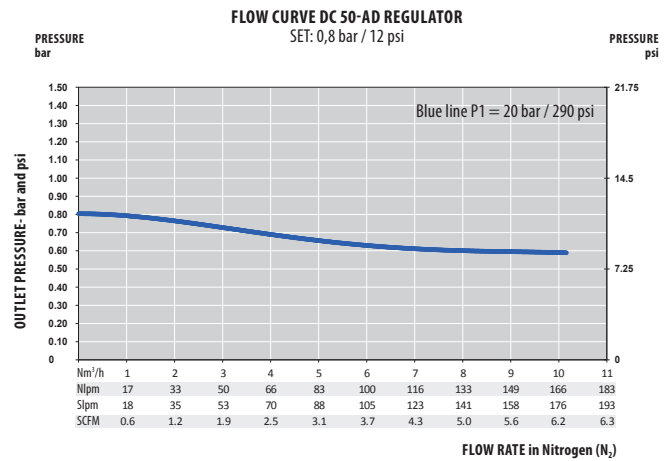
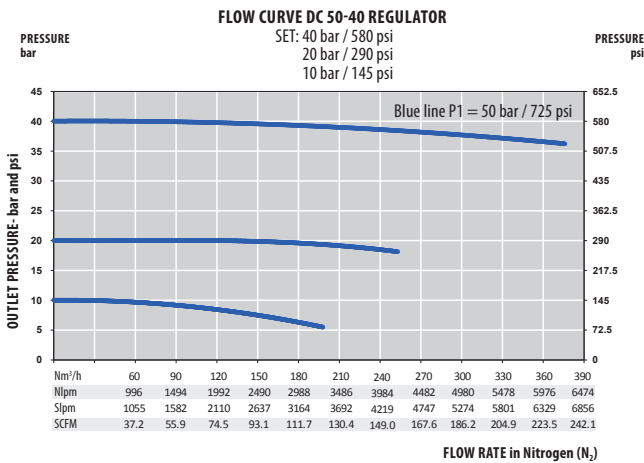
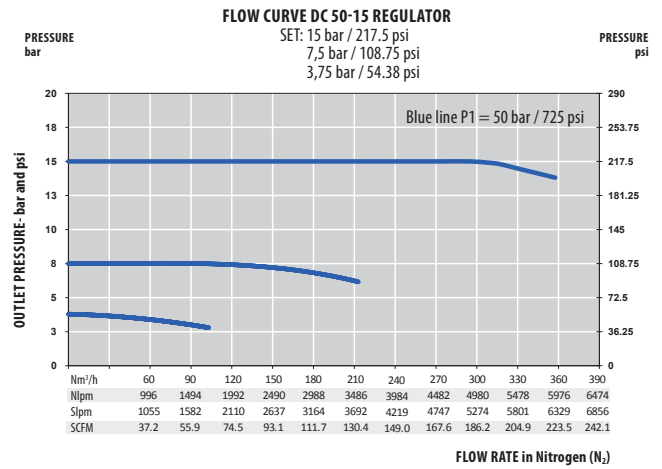
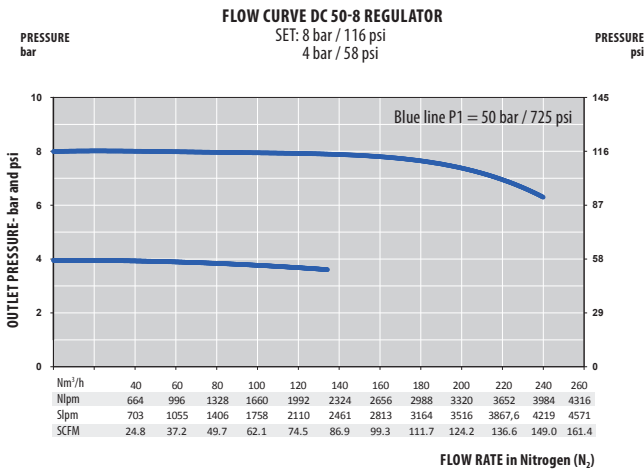


LOW-PRESSURE REGULATORS

SPECIFICATIONS

Female ports	G ½ or ½ NPT (inlet/outlet)	Weight	± 1,4 kg ± 3.1 lbs	Inlet pressure	50 bar (725 psi) AD: 20 bar (290 psi)
Seat seal	EPDM	Leak rate	10 ⁻³ mbar ℓ/s He	Outlet pressure	8/15/40 - 0,8 bar (AD) 116/217/580 - 12 psi (AD)
O-ring	EPDM - Standard NBR FPM	Temperature range	- 20°C to + 60°C - 4°F to + 140°F	Nominal Flow	150/300/300 Nm ³ /h (N ₂) 10 Nm ³ /h (AD)
Diaphragm	EPDM	Gauges	Low pressure (G ¼ or ¼ NPT)	Oxygen use	OK

FLOW CURVES



PRODUCT CONFIGURATOR

			Outlet Pressure	End Connections	O-ring Material	Body Material	Gauges				
D	C	50	40	G	EPDM	L	1				
			8 bar 116 psi	8	G ½ - G ½	G	EPDM - Standard	Chrome plated brass	L	Without	0
			15 bar 217 psi	15	½ NPT - ½ NPT	N	NBR	Raw brass	LB	With	1
			40 bar 580 psi	40			FPM				
			Acetylene version 0,8 bar (12 psi)	AD							



Wolflabs

Wolf Laboratories Limited

www.wolflabs.co.uk

Tel: 01759 301142

Fax: 01759 301143

sales@wolflabs.co.uk



Use the above details to contact us if this literature doesn't answer all your questions.

Pricing on any accessories shown can be found by keying the part number into the search box on our website.

The specifications listed in this brochure are subject to change by the manufacturer and therefore cannot be guaranteed to be correct. If there are aspects of the specification that must be guaranteed, please provide these to our sales team so that details can be confirmed.

