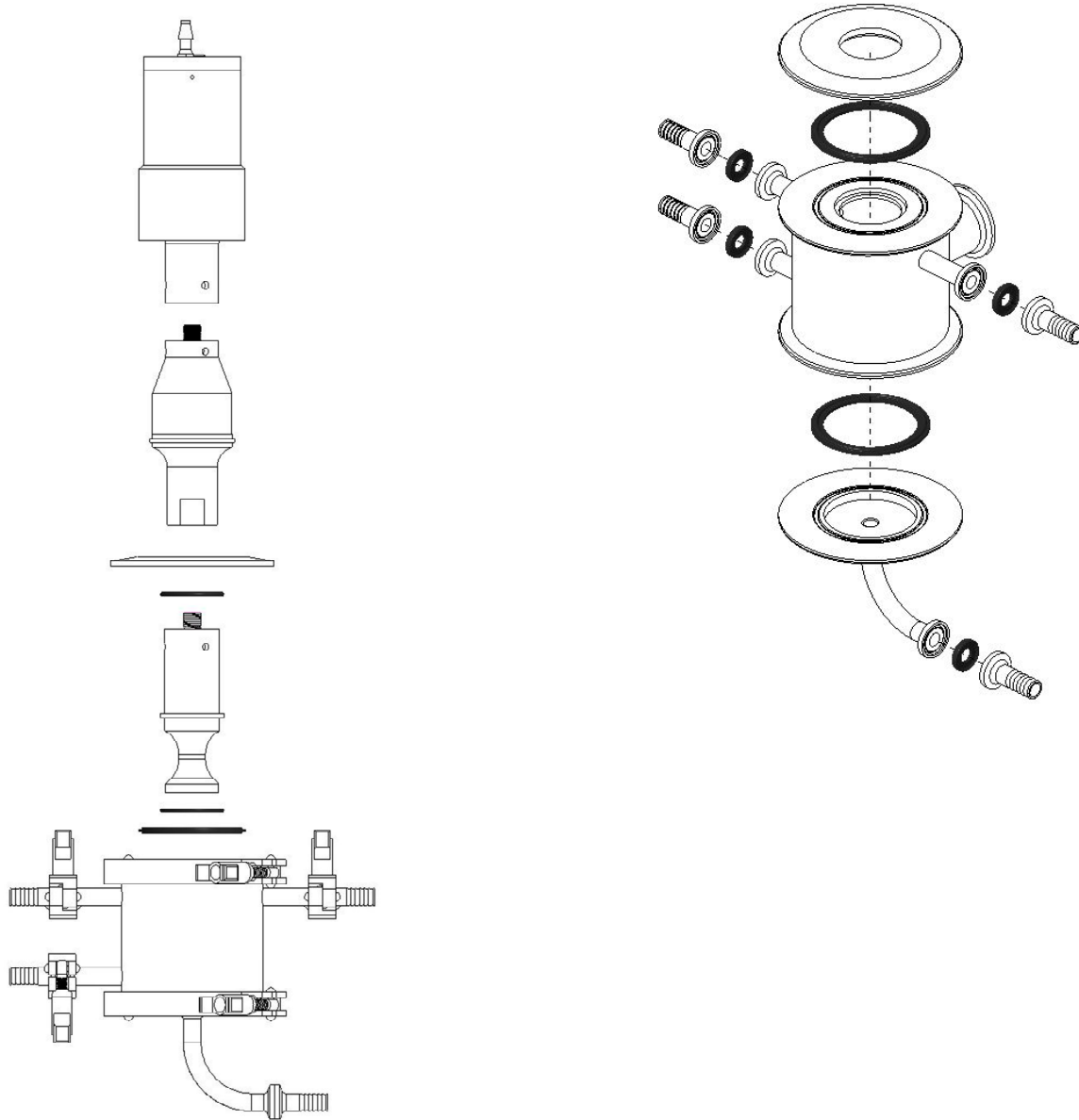
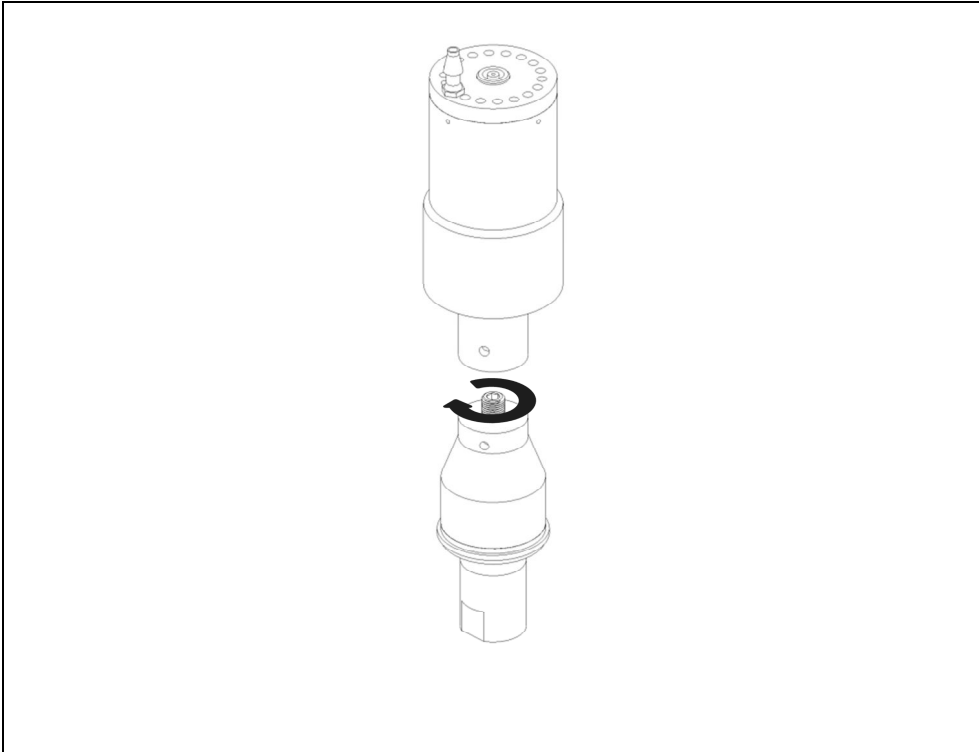


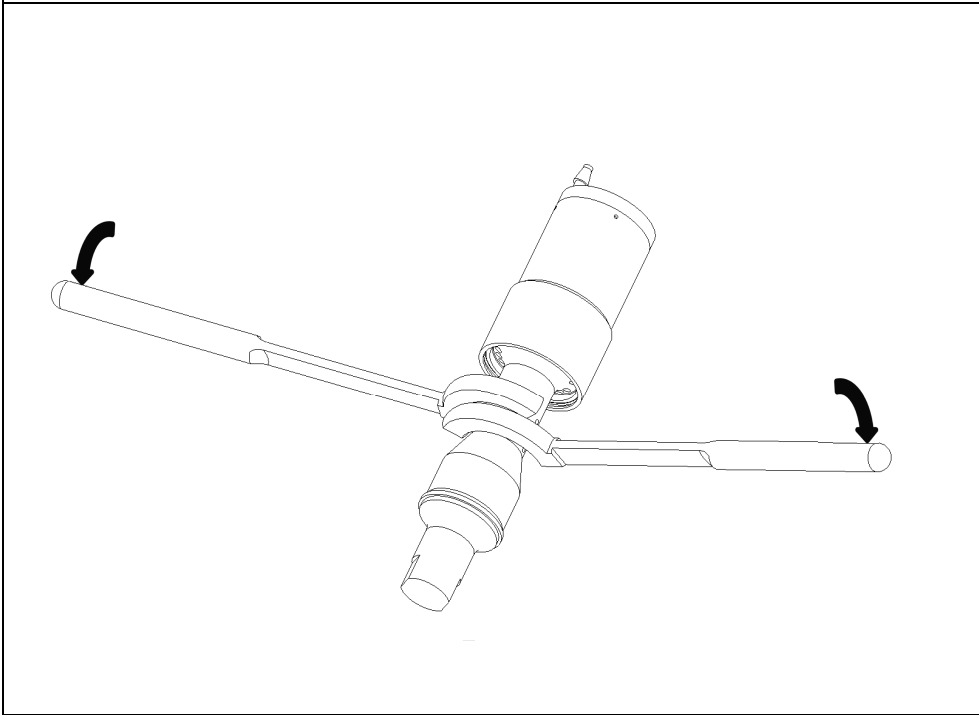
QSONICA

Q2000F – Floccell System

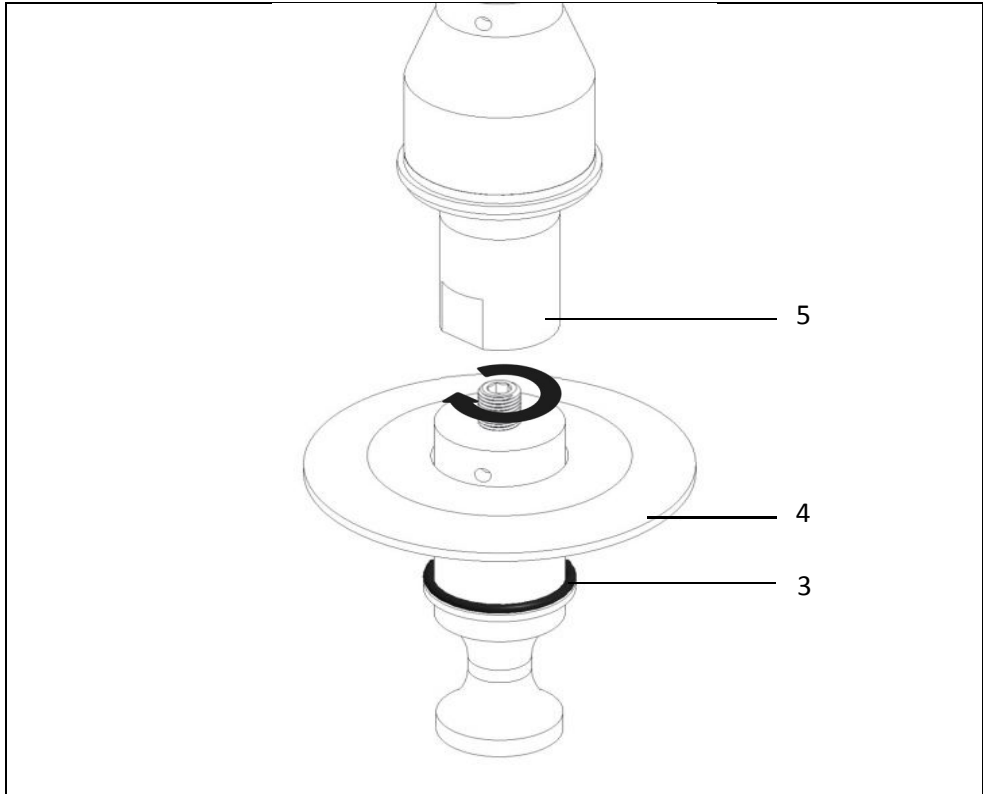




1. Screw the converter to booster by hand.



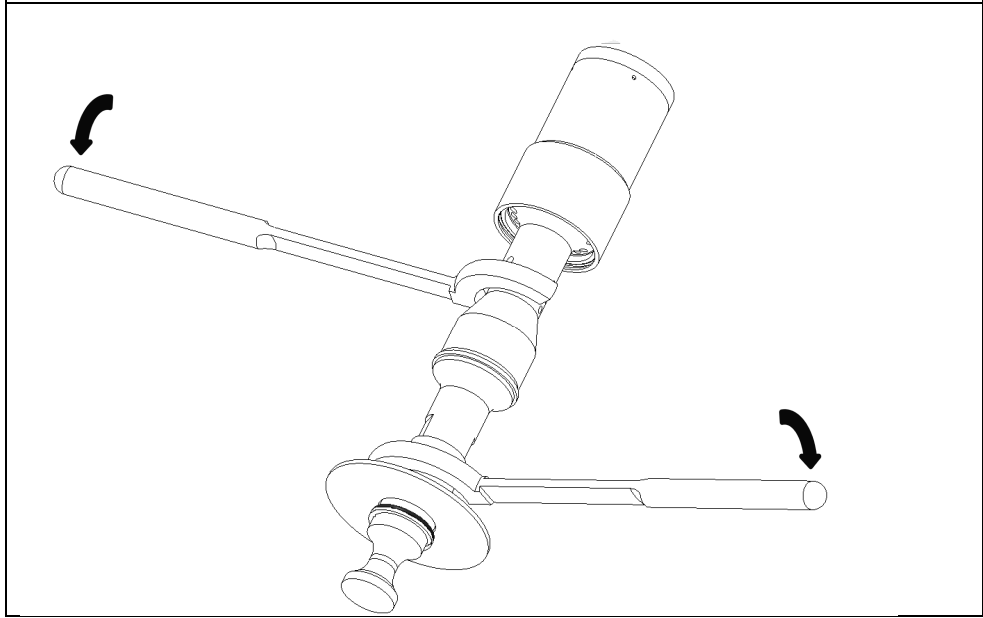
2. Use spanner wrenches to **tightly** Attach the converter to booster.



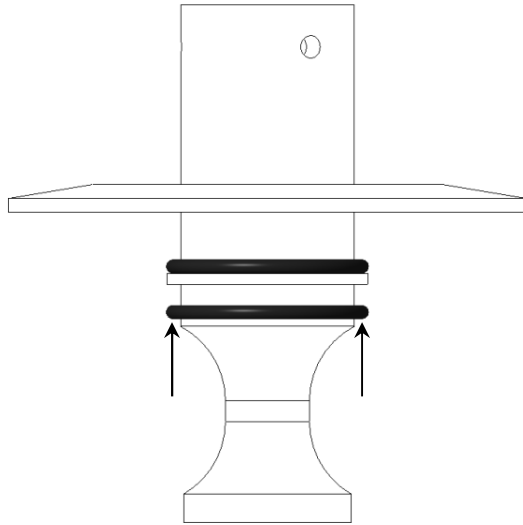
3. Slide o-ring onto the probe flange as shown.

4. Place flocell lid above the o-ring.

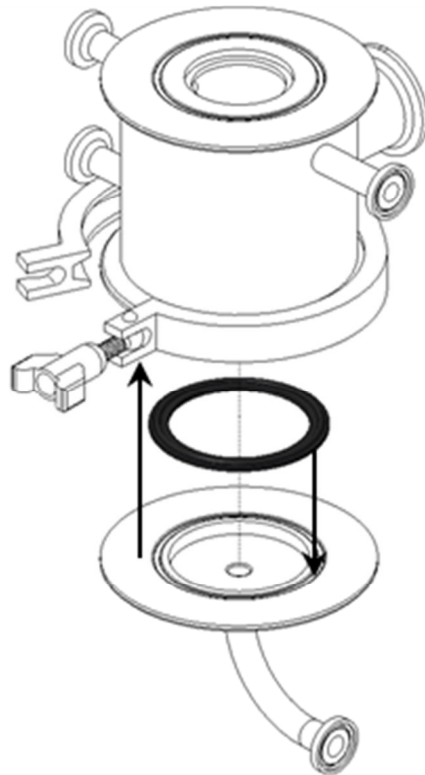
5. Screw the booster to probe by hand.



6. With the probe and lid hanging over the edge of the benchtop - use spanner wrenches to **tightly** attach the converter to booster.

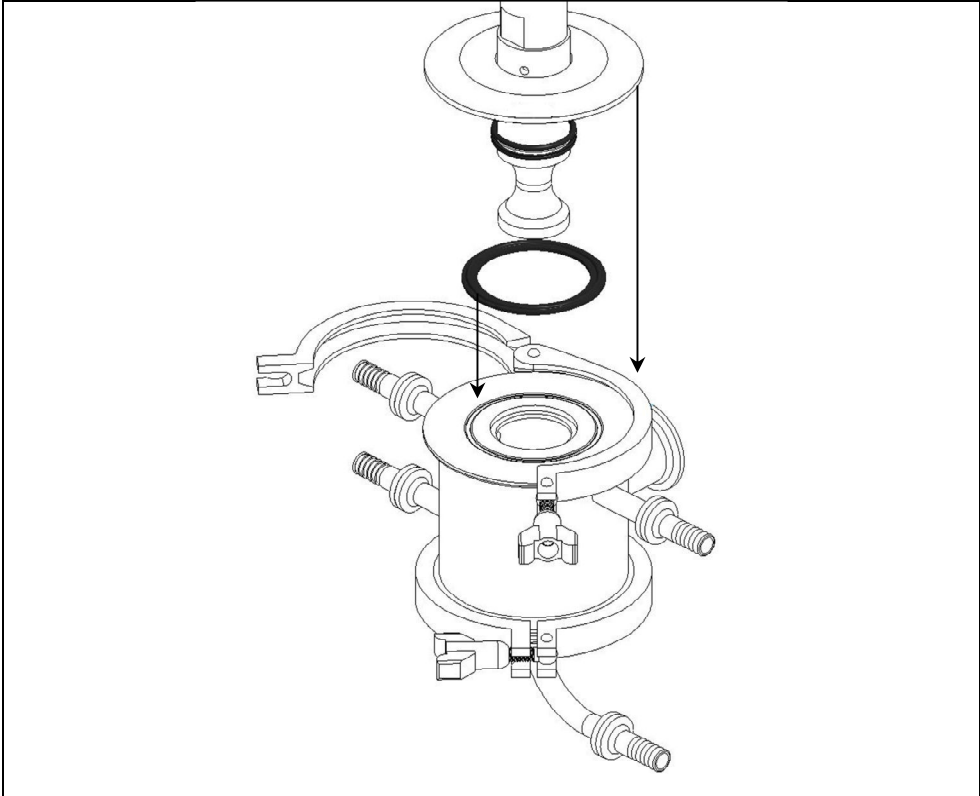


7. Slide o-ring to the bottom of probe flange as shown.



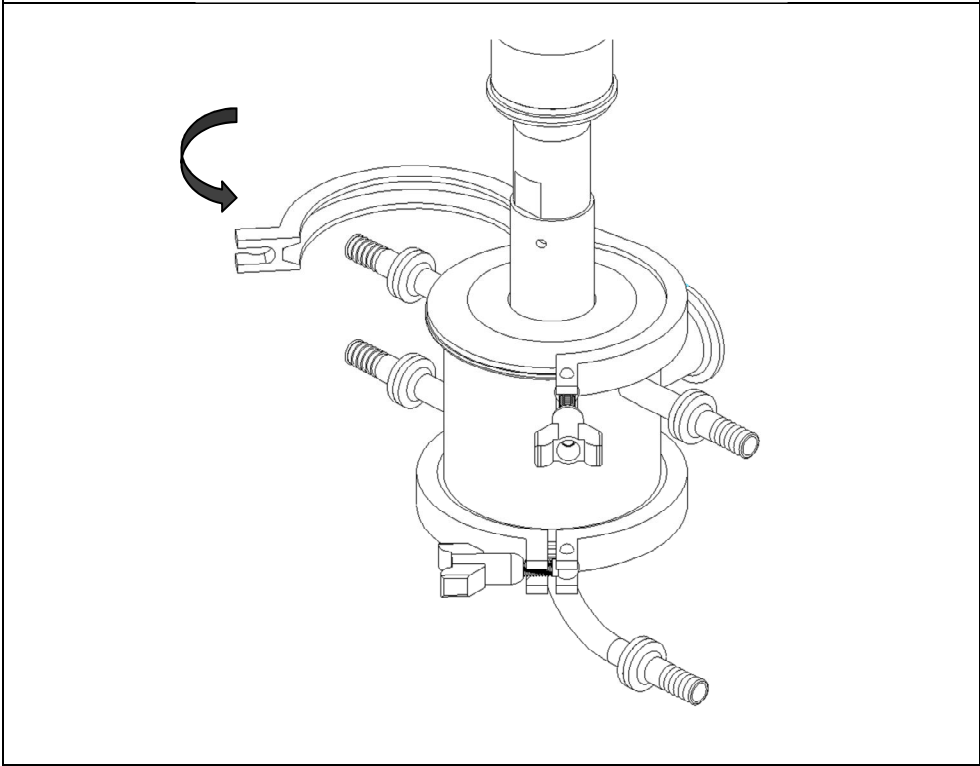
8. Align gasket in groove on the lower inlet chamber.

9. Attach to floccell body and lock tri-clamp.

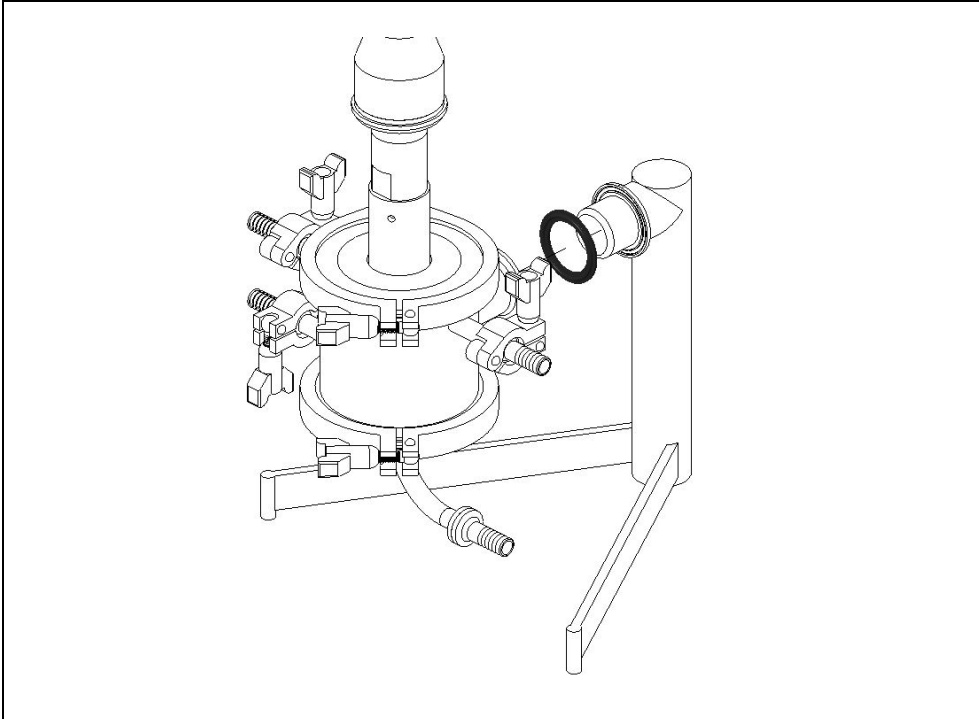


10. Align gasket in groove on top of floccell.

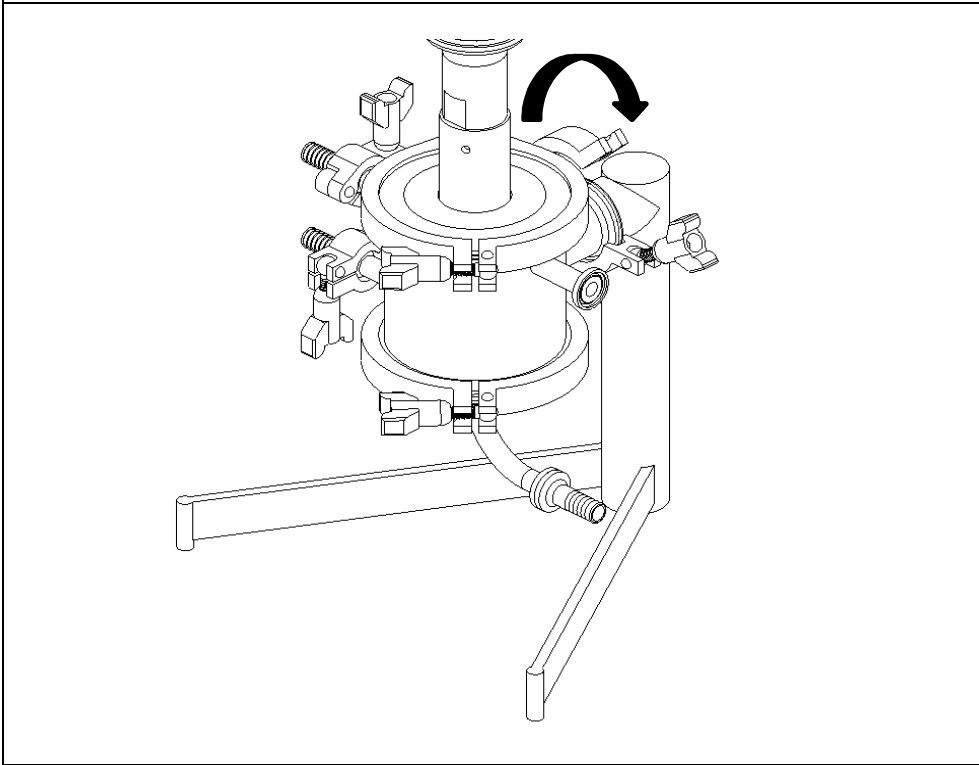
11. Insert probe and lid on top of floccell.



13. Attach to floccell body and lock tri-clamp.



14. Insert gasket and floccell as shown.



15. Lock tri-clamp