

Genius SQ 24

Nitrogen for Single Quad LC-MS

Description

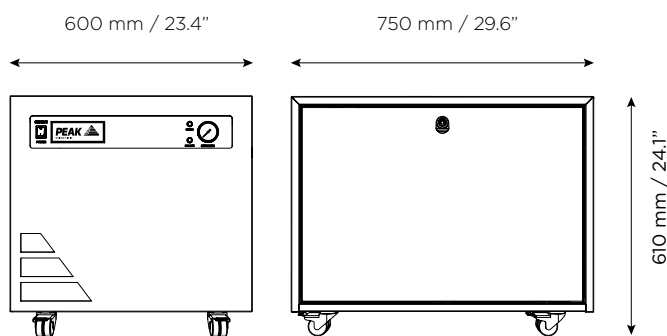
For labs using any Single Quad LC-MS systems, the Genius SQ 24 nitrogen gas generator delivers a high purity nitrogen supply dedicated for this instrument. With a compact size to fit under most lab benches and flow rates of up to 24 L/min, meeting and exceeding the maximum flow rate required by any Single Quad LC-MS on the market today, your lab can enjoy hassle free nitrogen gas which helps you deliver the best analytical results.

Genius SQ 24 has been designed using Peak's experience of over two decades of working with and developing the best nitrogen generator membranes using expert suppliers and highly skilled Peak design and manufacturing engineers. This rigorous design process has helped not only deliver a reliable, high performance gas generator, it is also the best value nitrogen generator on the market today.



Applications

- Single Quad LC-MS



Key Features

- Best value nitrogen generator on the market
- Variable flow up to 24 l/min
- Analytical grade nitrogen supply for Single Quad LC-MS
- Outlet pressure up to 116psi (at 22 l/min maximum)
- Reduced height and compact size to fit under most lab benches
- Integrated internal compressors for easy plug and play
- Based on proven and highly reliable technology
- Backed by Peak Protected global on-site servicing, technical support and partner training

Technical Specifications

Genius SQ 24

Voltage	100V	120V	230V
Max Flow	Up to 24 L/min		
Min/ Max Pressure	Up to 116 psi (@ 22 l/min max)		
Gas outlets	1 x 1/4" BSPP		
Max Relative Humidity	80% Non-Condensing		
Max Altitude	2000m		
Particles	<0.01µm		
Phthalates	NONE		
Suspended liquids	NONE		
Operating Temperature	5°C (41°F) to 35°C (95°F)		
Electrical Requirements	50/60Hz, 11A	60Hz, 10A	50/60Hz, 6A
Power Consumption	<1,100VA	1,200VA	<1,380VA
Heat Output BTU	2934 @ 50Hz 3446 @ 60Hz	3685 @ 60Hz	5016 @ 50Hz 4231 @ 60Hz
Generator Dimensions (H x W x D)	610 x 600 x 750 mm 24.0 x 23.6 x 29.5"		
Generator Weight	83 kg / 183 lbs		
Shipping Weight	104 kg / 229.3 lbs		

Ordering Information

Part Number	3301661 (230v) 3301660 (120v) 3301650 (100v)
Annual Service	visit: www.peakscientific.com/ordering
Complete Maintenance Plan	

† Noise level expressed as SPL (Sound Pressure Level) measured at 1m from source in a reverberant chamber

[PEAK Protected]™

Peak Scientific gas generators define the benchmark in reliability, convenience and performance in laboratories around the world, and come backed by a 12 month warranty. Beyond this period however you can ensure that your investment continues to be **[Protected]** by our comprehensive generator care cover.

Our world-class aftercare support packages deliver a program of scheduled preventative maintenance whilst giving you the reassurance of instant access to worldwide technical support and priority on-site response in the untimely event of a breakdown.

Peak Scientific's Quality Management System conforms to:
ISO 9001:2015



Product Certifications





Wolflabs

Wolf Laboratories Limited

www.wolflabs.co.uk

Tel: 01759 301142

Fax: 01759 301143

sales@wolflabs.co.uk



Use the above details to contact us if this literature doesn't answer all your questions.

Pricing on any accessories shown can be found by keying the part number into the search box on our website.

The specifications listed in this brochure are subject to change by the manufacturer and therefore cannot be guaranteed to be correct. If there are aspects of the specification that must be guaranteed, please provide these to our sales team so that details can be confirmed.

