

Infinity NM18-32L

Nitrogen Generator for Mass Spectrometers



Your local **gas generation** partner

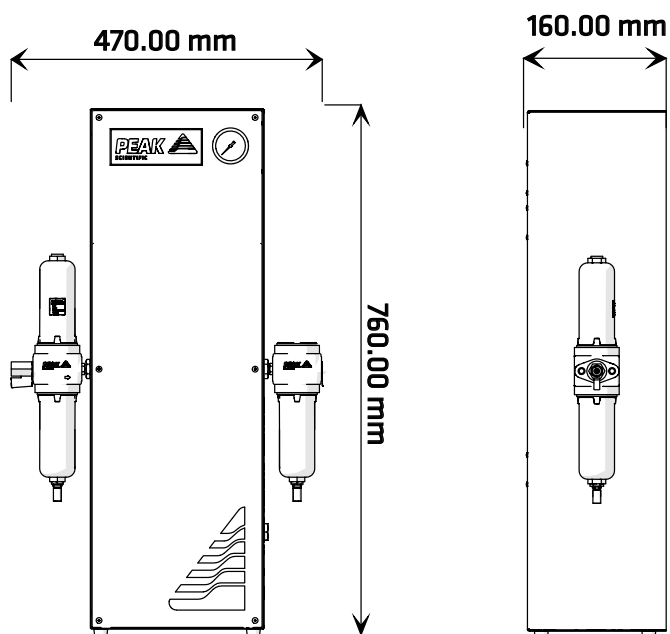
Description

With 18L/min and 32L/min nitrogen producing models, the Infinity NM range can provide the high purity nitrogen gas for most LC-MS available in the market today. With membrane filtration housed in a wall-mountable, slender chassis, this gas generator filters out the other constituents of air to deliver a consistent and constant flow of nitrogen gas for LC-MS.

The Infinity Series gas generators are compressor-free gas generators which require a clean source of in-house air to operate effectively. With very few moving parts, these generators are effectively silent in operation and need only minimal care to ensure continued high performance and extended product life.

Applications

- Nitrogen supply suitable for most LC-MS instruments
- Sample Evaporation



Key Features

- Delivers nitrogen at up to either 18 or 32L/min
- Capable of supplying the majority of LC-MS instruments
- 24/7 operation at optimum performance if required
- Highly economical source of nitrogen with low lifetime running costs
- Minimal set-up required
- Completely silent in operation
- 12 month comprehensive on-site warranty

Technical Specifications	NM18L	NM32L
Max Flow Rate (Nitrogen)	18 L/min	32 L/min
Max Gas Outlet Pressure	110 psi	
Min Air Inlet Flow Rate	50 L/min	90 L/min
Min Inlet Air Quality	ISO8573 - 1:2010 Class 1.4.1	
Min/Max Air Inlet Pressure	8.27 - 10.0 bar / 120 - 145 psi	
Max Pressure Drop	8 psi	
Dew Point	-40°C / -40°F	
Min/ Max Operating Temperature	5°C - 30°C / 41°F - 86°F	
Particles	< 0.01 µm	
Suspended Liquids	None	
Electrical Requirements	None	
Generator Dimensions (HxWxD)	760 x 470 x 160 mm/ 30 x 19 x 7 in	
Generator Weight	18 kg (39 lbs)	

Ordering Information		
Part Number	10-2015	10-2250
Annual Maintenance Kit	08-4429	
Standard Maintenance Plan	09-3110	
Complete Maintenance Plan	09-3010	

[**PEAK Protected**]TM

Peak Scientific gas generators define the benchmark in reliability, convenience and performance in laboratories around the world, and come backed by a 12 month warranty. Beyond this period however you can ensure that your investment continues to be **[Protected]** by our comprehensive generator care cover.

Our world-class aftercare support packages deliver a program of scheduled preventative maintenance whilst giving you the reassurance of instant access to worldwide technical support and priority on-site response in the untimely event of a breakdown.



Wolflabs

Wolf Laboratories Limited

www.wolflabs.co.uk

Tel: 01759 301142

Fax: 01759 301143

sales@wolflabs.co.uk



Use the above details to contact us if this literature doesn't answer all your questions.

Pricing on any accessories shown can be found by keying the part number into the search box on our website.

The specifications listed in this brochure are subject to change by the manufacturer and therefore cannot be guaranteed to be correct. If there are aspects of the specification that must be guaranteed, please provide these to our sales team so that details can be confirmed.

