



Compact, Reliable, Easy-to-Use Hotplates and Stirrers for Basic Heating and Stirrings

Rugged OHAUS Mini Hotplates and Stirrers can heat and stir up to 1000 ml of water on the 4 x 4 in. (102 x 102 mm) ceramic top plate surface. These units are ideal for educational and other lab environments that require simple, every-day heating and stirring. All models feature a built-in support rod holder with a locking knob, which accepts the optional support rod kit. Stirring models include 1.5 in. (38 mm) PTFE coated stir bar.

Standard Features Include:

- Select the function you need for your everyday heating and stirring. Five models to choose from - Hotplate, Fixed Temperature Hotplate, Stirrer, Auto Stirrer and combination Hotplate-Stirrer.
- Our mini hotplate stirrer is easy to clean up. All models feature a smooth, chemical-resistant ceramic top plate. This brilliant white reflective surface is optimal for viewing your samples.
- Designed for safety-unique housing material is heat-resistant making it not only cool to the touch, but also chemical-resistant. Spill resistant design ensures long-term reliable use.

MINI HOTPLATES & STIRRERS

Model No.	HSMNHP4CAL	HSMNHP4CFT	HSMNST4CAL	HSMNAS4CAL	HSMNHS4CAL
Function	Heating		Stirring	Stirring, Auto Start/Stop	Heating and Stirring
Speed Range	—		100 to 1200 rpm		
Temperature Range	to 500 °C	500 °C	—	—	to 500 °C
Capacity	1000 mL				
Plate Size (L × W)	10.2 cm × 10.2 cm				
Control	Analog				
Plate Construction	Ceramic				
Dimensions (H × L × W)	12.7 cm × 20.1 cm × 15.2 cm				
Net Weight	1.8 kg				
Power	230 V, 0.9 A, 50/60 Hz		230 V, 0.25 A, 50/60 Hz		230 V, 1.25 A, 50/60 Hz
Power Consumption	200 W		20 W		100 W
Working Environment	5 °C–40 °C, 20% to 85% RH, non-condensing				

Other Standard Features and Equipment

Valox housing, basic control knobs, 3.8 cm spinbar® (included with stirring models), On/Off toggle switch (fixed temperature models).

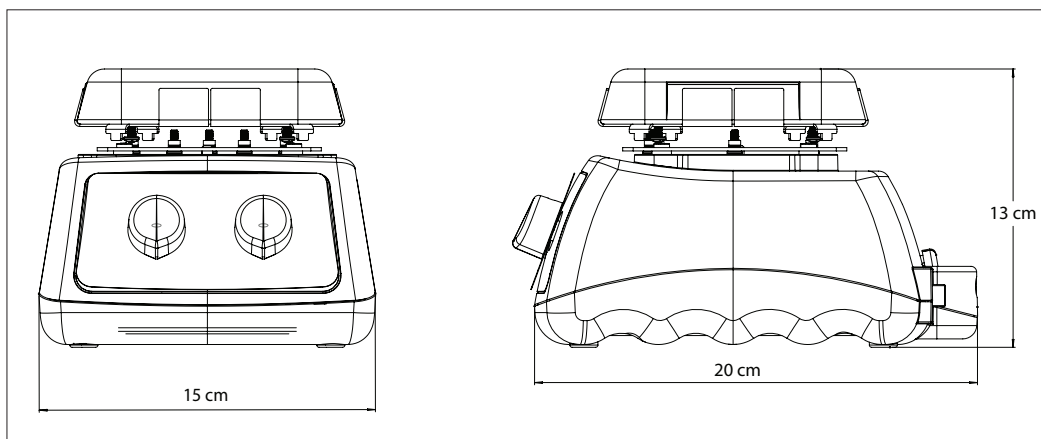
Compliance

- **Product Safety:** EN 61010-1, EN 61010-2-010, EN 61010-2-051
- **Electromagnetic Compatibility:** EN 61326-1 Class A, Industrial environments
- **Compliance marks:** CE; RCM; TÜV SÜD

Accessories

Item No.	Description	HSMNHP4CAL	HSMNHP4CFT	HSMNST4CAL	HSMNAS4CAL	HSMNHS4CAL
30400145	Ultra Flex Support Kit	•	•	•	•	•
30400146	Support Rod And Clamp Kit	•	•	•	•	•
30400147	Spinbar® 2.5 cm PTFE			•	•	•
30400148	Spinbar® 3.8 cm PTFE			•	•	•
30400149	Spinbar® 7 cm PTFE			•	•	•
30400150	Spinbar® 10 cm with Pivot Ring PTFE			•	•	•

Dimensions





Wolflabs

Wolf Laboratories Limited

www.wolflabs.co.uk

Tel: 01759 301142

Fax: 01759 301143

sales@wolflabs.co.uk



Use the above details to contact us if this literature doesn't answer all your questions.

Pricing on any accessories shown can be found by keying the part number into the search box on our website.

The specifications listed in this brochure are subject to change by the manufacturer and therefore cannot be guaranteed to be correct. If there are aspects of the specification that must be guaranteed, please provide these to our sales team so that details can be confirmed.

