



MB27

Moisture Analyzer



Ideal for routine moisture analysis requiring precise results.

The new OHAUS MB27 Basic Moisture Analyzer combines high quality and durable construction into a sleek, compact design. The MB27 offers dependable, accurate results for a wide variety of moisture analysis applications.

Standard Features Include:

- **Flexible Performance**—The MB27 provides accurate results at 0.01% (0,001g). With a large capacity of 90 g, it is ideal for food, agriculture, chemical, pharmaceutical and other applications that require measurements up to 0.01% (0,001g).
- **Simple to Operate**—Set up and operation is extremely easy. Just press and hold the temperature or time buttons to set drying parameters. The MB27 is ideal for routine tasks performed by operators of all skill levels.
- **Compact, Easy-to-Clean Design**—The compact footprint (17 × 28 cm) of the OHAUS MB27 is designed to take up less space. The easy-to-clean heating chamber is ideal for frequent use and inexpensive maintenance.

MB27 Moisture Analyzer

| Model | MB27 |
|------------------------------|---|
| Capacity | 90 g |
| Repeatability (Std Dev) (g) | 0.2% (3 g sample) 0.05% (10 g sample) |
| Readability | 0.01%/0.001 g |
| Sample size | typical: 3g - 20g minimum: 0,5g |
| Interface | Bidirectional RS232 |
| Timer | 1-99 minutes, 30-second increments to 60 minutes |
| Heating Technology | Halogen |
| Temperature Range | 50 °C to 160 °C in 5 °C increments |
| Power | 100 to 240 VAC, 50/60 Hz |
| Tare Range | To capacity by subtraction |
| Operating Temperature Range | 5 °C to 40 °C |
| Display Type | Backlit LCD |
| Displays | %moisture or %solids or weight (g), temperature, time |
| Pan Size (Diameter) | 90 mm |
| Dimensions (W × H × D) | 17 × 14 × 28 cm |
| Net Weight | 2.3 kg |
| Shipping Weight | 3.9 kg |

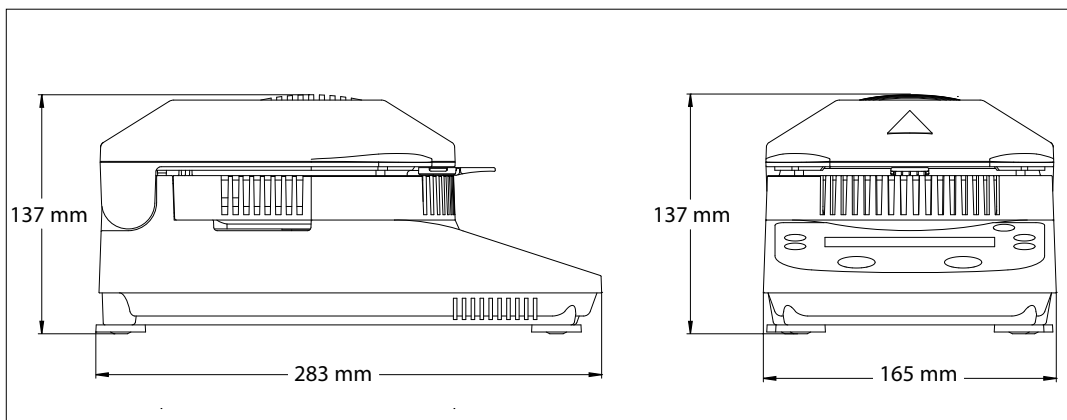
Compliance

- **Product Safety:** IEC/EN 61010-1, IEC/EN 61010-2-010
- **Electromagnetic Compatibility:** IEC/EN 61326-1 Class B, Basic environments

Accessories

- Temperature Calibration Kit, MB Series 11113857
- Anti-Theft Device 80850043
- Aluminum Sample Pans, 80 Pcs 80850086
- Pads, Glass Fiber, Qty 200 Pcs 80850087
- In-Use-Cover 80252475
- Pan Holder, MB Series 80252476
- Sample Cage, MB Series 80252477
- Reusable Sample Pans, 3 Pcs, 7mm, MB Series 80252478
- Reusable Sample Pans, 3 Pcs, 14mm, MB Series 80252479
- Impact Printer SF40A 30064202
- Cable, USB-RS232 Converter 30268619

Outline Dimensions





Wolflabs

Wolf Laboratories Limited

www.wolflabs.co.uk

Tel: 01759 301142

Fax:01759 301143

sales@wolflabs.co.uk



Use the above details to contact us if this literature doesn't answer all your questions.

Pricing on any accessories shown can be found by keying the part number into the search box on our website.

The specifications listed in this brochure are subject to change by the manufacturer and therefore cannot be guaranteed to be correct. If there are aspects of the specification that must be guaranteed, please provide these to our sales team so that details can be confirmed.

