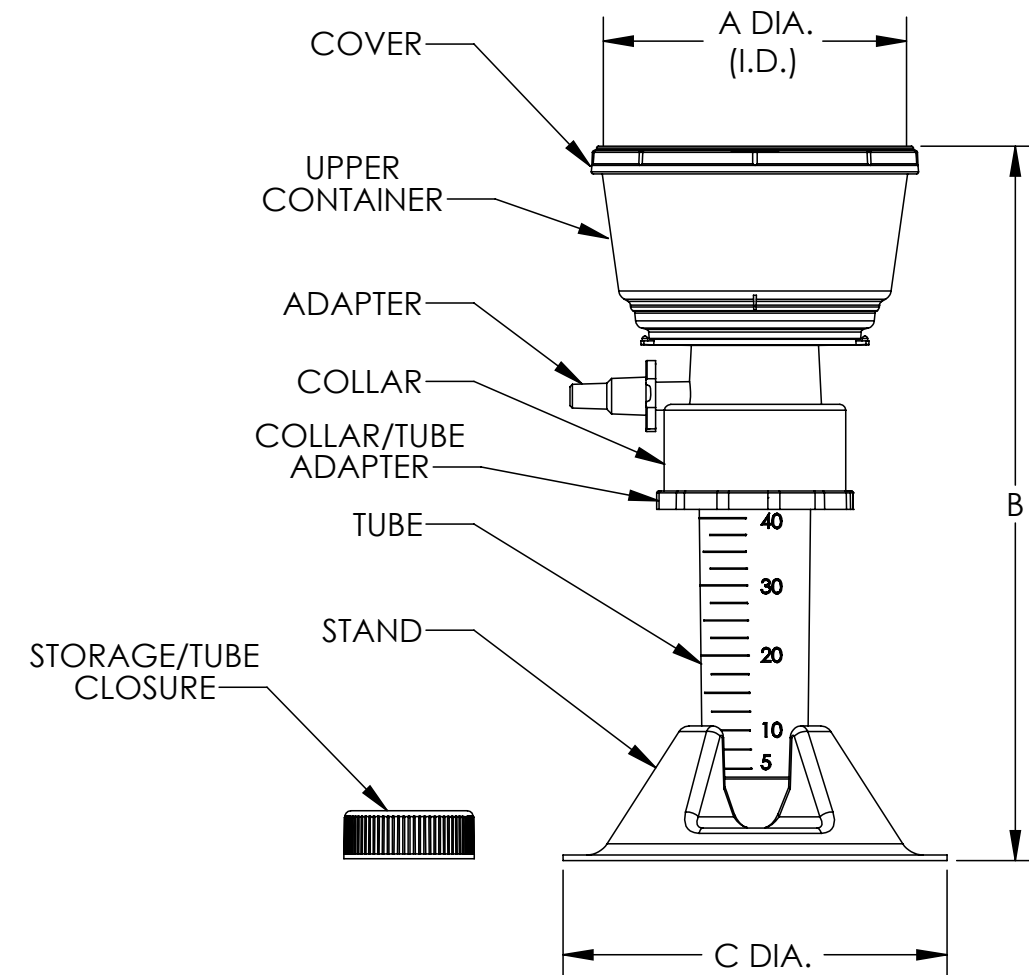


CAT. NO.....:	564-0020	
UPPER CAP (mL).....:	150	
TUBE CAP (mL).....:	50	
PORE SIZE (µm).....:	0.2	
MEMBRANE COLOR.....:	WHITE	
MEMBRANE DIA (mm):	50	
CLOSURE SIZE (mm)....:	33	
	INCH	MM
A (UPPER I.D.).....:	3.16	80.3
B HEIGHT.....:	7.40	188.0
C DIA.....:	4.00	101.6
NOM. WT. (gms).....:	75	

MATERIALS	
COVER	PS
UPPER CONTAINER	PS
ADAPTOR (FILTER)	WHITE LDPE
COLLAR	BLUE HIPS
ADAPTOR TUBE/COLLAR	BLUE HIPS
TUBE	PP
STAND	WHITE HIPS
CLOSURE	HDPE



SPECS ON BACK

NOT TO SCALE

1. ALL DIMENSIONS ARE NOMINAL AND IN INCHES AND MILLIMETERS UNLESS OTHERWISE NOTED.
2. THIS IS NOT A PRODUCTION DRAWING, BUT IS FOR INFORMATIONAL PURPOSES ONLY, AND IS SUBJECT TO CHANGE WITHOUT NOTICE.

**CONFIDENTIAL**

THIS PRODUCT SPECIFICATION SHEET CONTAINS CONFIDENTIAL AND/OR PROPRIETARY INFORMATION AND IS TO BE USED ONLY FOR THE EXPRESSED PURPOSES AGREED UPON BY AN AUTHORIZED OFFICER OF THERMO FISHER SCIENTIFIC.

**ThermoFisher  
SCIENTIFIC**

Thermo Fisher Scientific  
75 Panorama Creek Drive  
Rochester, NY 14625-2385, USA

MADE	PB	APP'D	JMC	PSS-00-0564-0020	REV. 1107
CK'D	JMC	11/29/07			
DESCRIPTION: FILTER UNIT - 50mL CAPACITY					



**Wolflabs**

# Wolf Laboratories Limited

[www.wolflabs.co.uk](http://www.wolflabs.co.uk)

Tel: 01759 301142

Fax: 01759 301143

[sales@wolflabs.co.uk](mailto:sales@wolflabs.co.uk)



**Use the above details to contact us if this literature doesn't answer all your questions.**

**Pricing on any accessories shown can be found by keying the part number into the search box on our website.**

The specifications listed in this brochure are subject to change by the manufacturer and therefore cannot be guaranteed to be correct. If there are aspects of the specification that must be guaranteed, please provide these to our sales team so that details can be confirmed.

