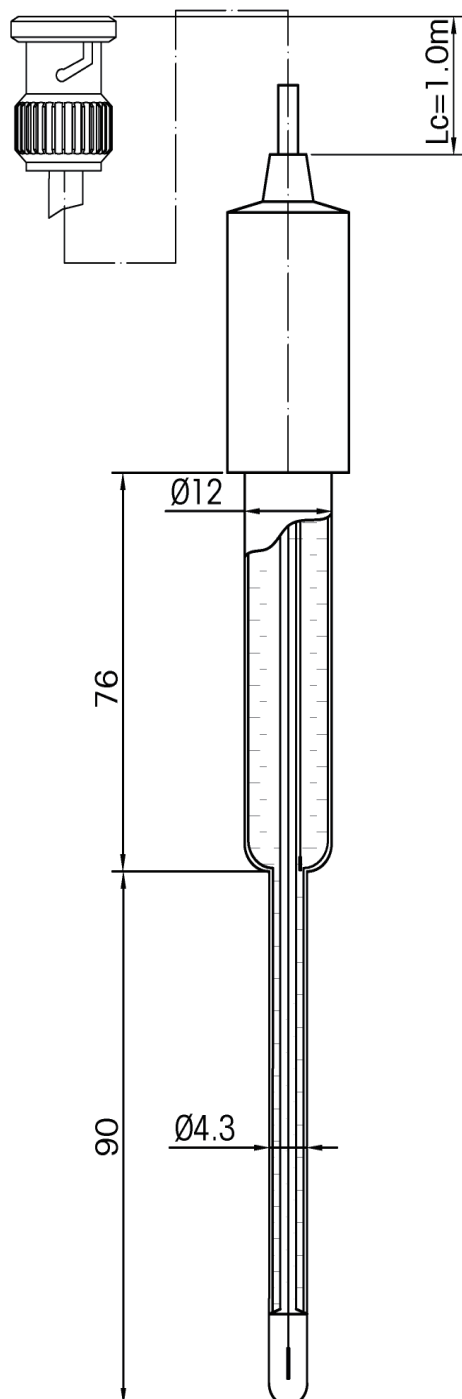


**LE422****2-in-1****pH****Order number** 30089747

former order number -

**Specifications**

pH range 0 - 14

zero point (pH) 7.00 ± 0.25

temperature range 0 - 80 °C

temperature probe No

shaft material Glass

membrane glass U glass

membrane resistance &lt; 250 MΩ

reference system Ag/AgCl

reference diaphragm Ceramic

reference electrolyte Gel

bridge electrolyte -

electrode head LE cap

cable length 1.0 m

connector BNC

cell constant (cm<sup>-1</sup>) -

cell type -

indicating metal -

**Storage** 3 mol/L KCl**Special features**

Suitable for small samples

Scale 1:1



**Wolflabs**

# Wolf Laboratories Limited

[www.wolflabs.co.uk](http://www.wolflabs.co.uk)

Tel: 01759 301142

Fax: 01759 301143

[sales@wolflabs.co.uk](mailto:sales@wolflabs.co.uk)



**Use the above details to contact us if this literature doesn't answer all your questions.**

**Pricing on any accessories shown can be found by keying the part number into the search box on our website.**

The specifications listed in this brochure are subject to change by the manufacturer and therefore cannot be guaranteed to be correct. If there are aspects of the specification that must be guaranteed, please provide these to our sales team so that details can be confirmed.

