

# NewClassic Balances



## **NewClassic ME Analytical Balances**

Designed to Last

Simply Reliable

Efficient Operation



## **The Essence of Weighing And More**

**METTLER TOLEDO**

# Efficient and Convenient Performance Balances with Outstanding Value

**Daily weighing routines are easy and efficient thanks to the ergonomic design features of the NewClassic ME balances. Essential functionality is at your fingertips to provide you with accurate and reliable weighing results day after day.**

But there is more. These robust all-round balances not only support your daily tasks with intuitive operation and fast results, they are also easy-to-clean, have front-feet leveling, and are available with internal adjustment at a keystroke.

## Designed to Last



ME balances are built to last. The solid construction and high quality materials ensure you can rely on accurate results for many years to come.

- Solid metal base
- Reinforced body
- Overload protection up to 100kg

## Simply Reliable



State-of-the-art weighing technology ensures stable and accurate results.

- Fast and reliable results
- Date and time stamp (ISO/GLP)
- Internal adjustment available on all models

## Efficient Operation



The easy-to-use interface enables direct access to applications and calibration routines. Coupled with easy cleaning, your daily tasks are fast and efficient.

- Intuitive interface
- 10 built-in applications
- Rounded edges and smooth surfaces are easy-to-clean

## METTLER TOLEDO Service

### Comprehensive Service

To perform at its peak, a balance should be serviced periodically. Preventive maintenance and calibration are crucial to ensure high uptime and accurate results.



- Up to 50% lower power consumption
- Selection of non-critical materials – PVC-free, mercury-free
- Energy efficient manufacturing and logistic



### Clear Readout

The large numbers on the brilliant backlit display are easy to read in all working environments.



### Fast Results

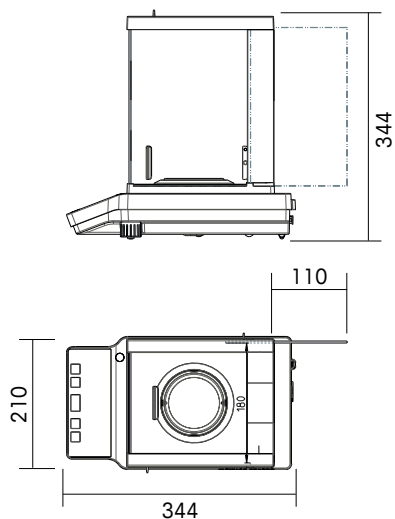
Efficient daily operations thanks to fast measurement results.



### Compliant Documentation

Trace your data with built-in data and time function to meet ISO/GLP documentation requirements.

## NewClassic ME Analytical Balances



Model with internal adjustment	<b>ME54</b>	<b>ME104</b>	<b>ME204</b>
Model with external calibration	<b>ME54E</b>	<b>ME104E</b>	<b>ME204E</b>
Maximum capacity	52 g	120 g	220 g
Weighing platform dimensions $\varnothing$	90 mm		
Readability	0.1 mg		
Repeatability	0.1 mg		
Linearity	0.2 mg		
Settling time	2 s		
Sensitivity temperature drift	2.0 ppm/°C		
Weight of balance	4.7 kg (ME) / 4.5 kg (ME-E)		
Applications	Formulation, totaling, dynamic weighing, piece counting, density, percent weighing, check weighing, statistics, dosing, free factor		

All models are available as legal for trade versions.



**Wolflabs**

# Wolf Laboratories Limited

[www.wolflabs.co.uk](http://www.wolflabs.co.uk)

Tel: 01759 301142

Fax: 01759 301143

[sales@wolflabs.co.uk](mailto:sales@wolflabs.co.uk)



**Use the above details to contact us if this literature doesn't answer all your questions.**

**Pricing on any accessories shown can be found by keying the part number into the search box on our website.**

The specifications listed in this brochure are subject to change by the manufacturer and therefore cannot be guaranteed to be correct. If there are aspects of the specification that must be guaranteed, please provide these to our sales team so that details can be confirmed.

