



## Diaphragm Pumps for Air, Gases and Vapours



With fine control valve and vacuum gauge (.45)

### LABOPOINT® Mini Diaphragm Vacuum Pumps

#### Technical features:

- 100% oil-free transfer
- Pure transferring and evacuation of gases
- Version for slightly aggressive or corrosive gases and vapours
- Maintenance-free
- Environmentally friendly
- High level of gas tightness.

### Series LABOPOINT® N 838.1.2 K\_.18 Pumps

Series N 838.1.2 diaphragm pumps are double-headed, dry-running devices used in a wide range of laboratory applications. They transfer and pump down without contamination. The heart of these very compact pumps is a KNF structured diaphragm. This patented diaphragm was stress-optimized using the Finite Elements method. As a result, we were able to make the pumps smaller while increasing the service life of the diaphragm.

The pumps are available in various versions differing in the materials which contact the media.

#### Material in contact with the pumped media

Type/Order No.	Pump head	Diaphragm	Valves
N 838.1.2 KN.18	PPS	EPDM	FPM
N 838.1.2 KN.45.18	PPS	EPDM	FPM
N 838.1.2 KT.18	PPS	PTFE-coated	FFPM
N 838.1.2 KT.45.18	PPS	PTFE-coated	FFPM

.45 = Pump with fine control valve and vacuum gauge

Technical data:	N 838.1.2 KN.18	N 838.1.2 KT.18
	N 838.1.2 KN.45.18	N 838.1.2 KT.45.18
Delivery (l/min) <sup>1)</sup>	37	37
Vacuum (mbar abs.)	100	150
Pressure (bar)	0.5	0.5
Connectors for tube (mm)	ID 10	ID 10
Permissible gas and ambient temperature	+5...+40 °C	+5...+40 °C
Mains	230V/50Hz	230V/50Hz
Motor protection	IP 20	IP 20
Power P <sub>1</sub>	80 W	80 W
Operating current	0.5 A	0.5 A
Weight	6.8 kg	6.8 kg
Dimensions LxHxB (mm)	402/212/110	402/212/110
With thermal switch and power fuse		

Motors with other voltages and frequencies on request.

<sup>1)</sup> at atm. pressure

### Accessories and spare parts

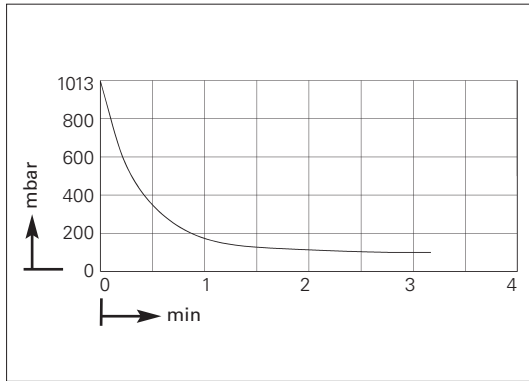
Description	Details	Order No.
Silencer	G 1/8	007006
Hose connector	G 1/8, PVDF, for tube ID 10 mm	112004
Fine control valve with vacuum gauge	suction side	112432
Spares kit	for N 838.1.2 KN	111952
Spares kit	for N 838.1.2 KT	111953



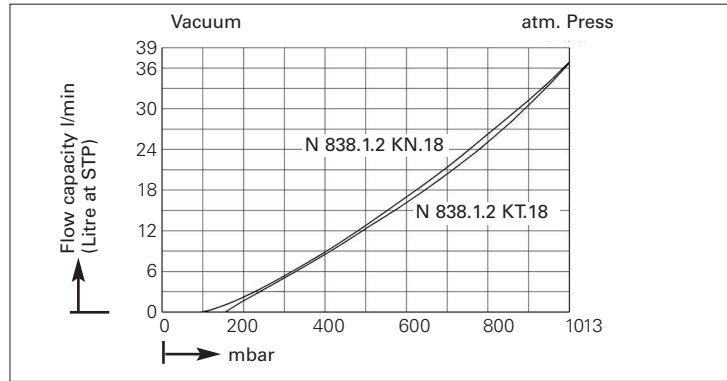
# Diaphragm Pumps for Air, Gases and Vapours

## Dimensions and performance characteristics

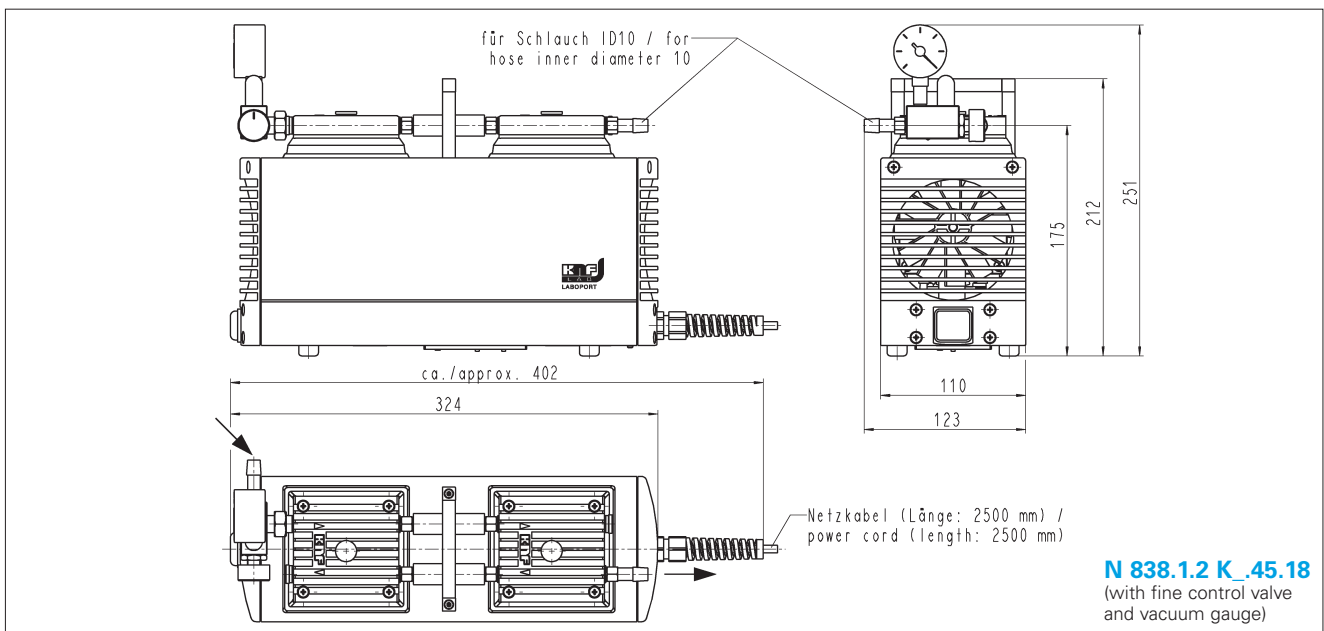
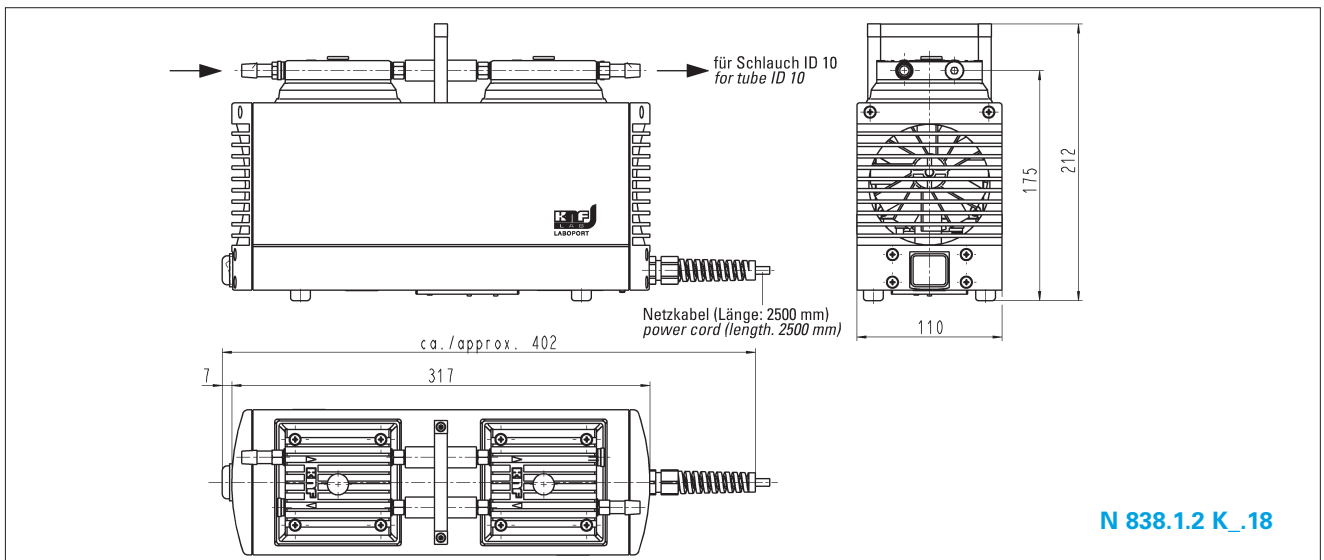
Pump down time for 10 l receiver



Performance characteristics



### Dimensions (mm)





**Wolflabs**

# Wolf Laboratories Limited

[www.wolflabs.co.uk](http://www.wolflabs.co.uk)

Tel: 01759 301142

Fax: 01759 301143

[sales@wolflabs.co.uk](mailto:sales@wolflabs.co.uk)



**Use the above details to contact us if this literature doesn't answer all your questions.**

**Pricing on any accessories shown can be found by keying the part number into the search box on our website.**

The specifications listed in this brochure are subject to change by the manufacturer and therefore cannot be guaranteed to be correct. If there are aspects of the specification that must be guaranteed, please provide these to our sales team so that details can be confirmed.

