

VACUUM PUMP SYSTEM SC 920 G

DATA SHEET E 296



Technical features

- Remote-controlled for safe operation from outside closed fume hoods
- Automatic, accurate recognition and monitoring of the boiling point using the integrated ramp function
- High recovery rates even with low boiling point solvents
- Integrated gas ballast valve
- Speed-controlled
- Quiet operation
- Optimized suction capacity
- PPS pump head combined with PTFE-coated diaphragm are ideal for aggressive/corrosive gases and vapors

Technical data

Flow rate [m ³ /h] at atm. pressure	1.26
Flow rate [l/min] at atm. pressure	21
Ultimate vacuum [mbar abs.]	2.0 < 5.0 with gas ballast valve in use
Nominal voltage [V]	100 – 240
Frequency [Hz]	50 – 60
Power P ₁ [W]	max. 135
Operating current [A]	max. 1.7
With overcurrent protection and main fuse	

OTHER DATA

Total weight [kg]	15.2
Hose connections:	
– pneumatic	ID 10
– for coolants	ID 8
– for inert gas	ID 6
Dimensions W x H x D [mm]	366 x 423 x 294
Gas ballast valve	Yes
Size of the separators [ml]	500
USB connection	Mini-USB
Permissible media and ambient temperature [°C]	+5 ... +40

MATERIALS

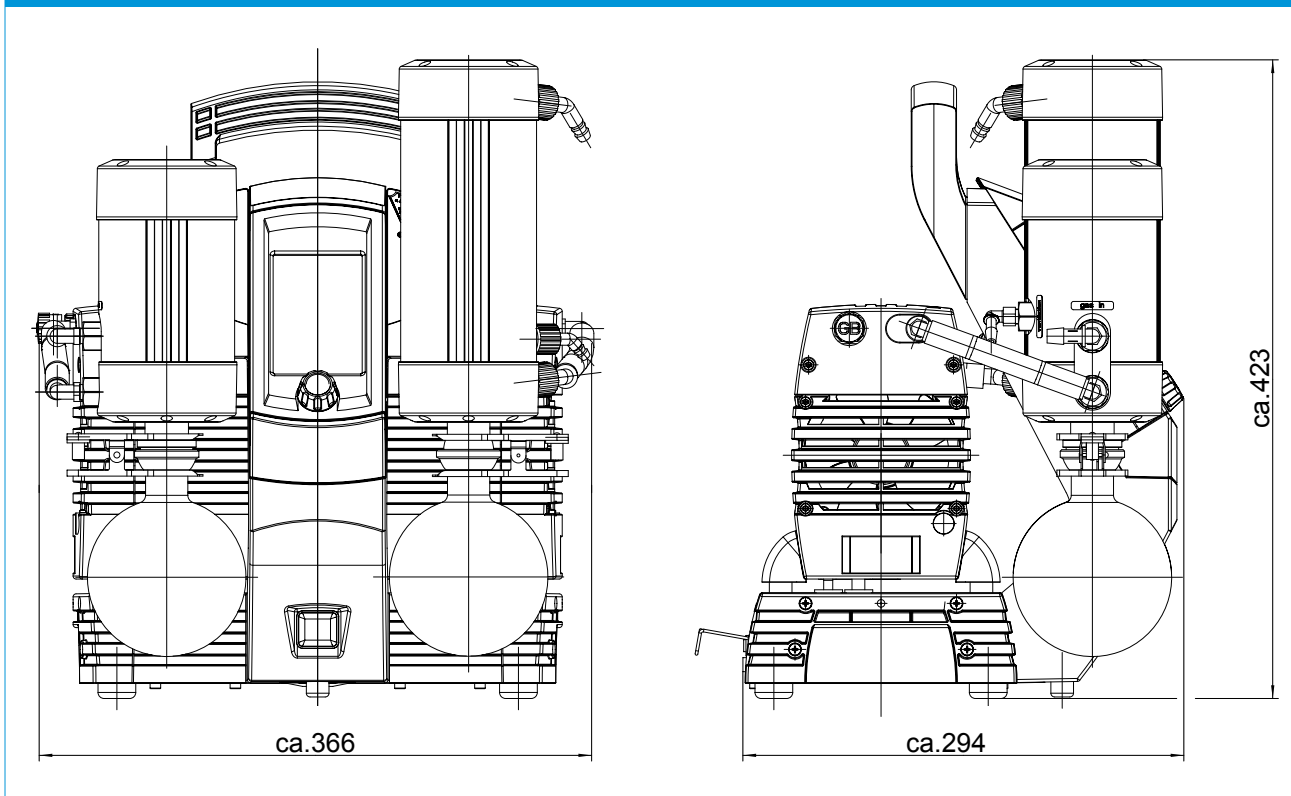
Pump head	PPS
Diaphragm	PTFE-coated
Valves	FFPM
Separators	plastic-coated glass

REMOTE CONTROL UNIT

Quantity	1
Display	LCD
Wireless range	– About 50 m without obstacles – About 10 m through walls
Power supply	Through integrated batteries or included power supply
Battery service life	Up to 12 hours
Charging time	About 7 hours
Operation	Touchscreen/Control knob

Dimensions

SC 920 G



ACCESSORIES	ID
Coolant valve – G 1/2, ID 8	117121
Column fixture for remote control unit	120132
Wall fixture for remote control unit	120130
Chemical-resistant protective film for remote control's display	117407
Charging station	129478

Combination possibilities





Wolf Laboratories Limited

www.wolflabs.co.uk

Wolflabs

Tel: 01759 301142

Fax: 01759 301143

sales@wolflabs.co.uk



Use the above details to contact us if this literature doesn't answer all your questions.

Pricing on any accessories shown can be found by keying the part number into the search box on our website.

The specifications listed in this brochure are subject to change by the manufacturer and therefore cannot be guaranteed to be correct. If there are aspects of the specification that must be guaranteed, please provide these to our sales team so that details can be confirmed.

