



**100 V – 50/60 Hz**  
**120 V – 50/60 Hz**  
**230 V – 50/60 Hz**

(Available with country specific plug configurations & additional accessories)

## Main Applications

### Medical Environments

Hospital and Medical office use applications:

- Endoscopy
- Autoclave
- Ventilator (oxygen)
- Medical Rehabilitation
- Oxygen Concentrator

### Laboratory Environments

Small labs that do not have access to facility air

- Diagnostics – Flow Cytometry
- Analytical Instruments
- General small lab air use

### Industrial Environments

Facilities that need access to small and portable air system

- Small pneumatic tool operation
- Portable Air unit

### Powerful & Quiet Performance

- 120 PSI / 8 bar capability
- 2.8 cfm / 77 lpm max air flow
- Dual Sound isolation chambers
- As low as 46 dB(A) utilizing optimized component positioning
- Silenced drain line

### Design, Durability, & Safety

- Designed with space limitations in mind
- Multiple mounting configurations
- Optimized cooling configuration
- 15000+ hours of life
- 2 year warranty / 5 year tank warranty
- Triple thermal electrical protection
- No water bottle – Evaporator Tray
- Simple Interface with maintenance Indication

### Factory Supported

- Global service and support
- Technical guidance

### Regulatory Compliance

- RoHS compliant
- UL 1450, 4<sup>th</sup> edition
- UL 60601 for medical applications if required
- 2006 / 95 / EC Directive
- CSA 22.2 68



### Features

- 100% oil free
- 100% duty cycle
- Super quiet – as low as 46 dB(A)
- Pressure up to 120 PSI/8 bar
- Long-life, 2-year warranty
- 15000+ hours cup life at 8bar
- Easy to use
- Plug & play
- Rubber feet and casters included

### Description

- 5µm filter with autodrain
- Pressure regulator
- Automatic drain system with evaporation tray
- Hour run meter
- Receiver with internal coating and 5-year warranty

### Certifications



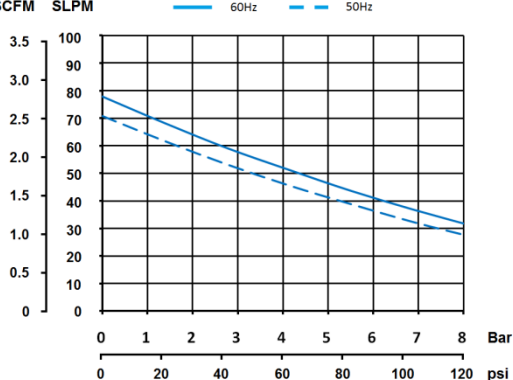
- UL 1450
- cUL (CAN ISCA C22.2, No. 68-09)
- CE (97/23/EC, 2004/108/EC, 2006/95/EC, 2011/65/EU)

## Product Specifications

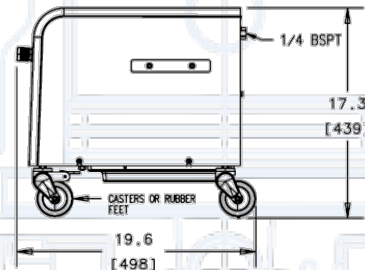
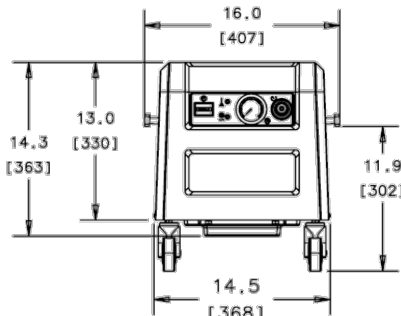
Model	87R-4P							
Voltage	V	1x100		1x120		1x230		
Frequency	Hz	50	60	50	60	50	60	
Motor	HP	0.6	0.74	0.67	0.8	0.74	0.87	
	kW	0.45	0.55	0.5	0.6	0.55	0.65	
Air flow @ 0 bar / 0 psi	l/min	71	77	71	77	71	77	
	cfm	2.75	2.5	2.75	2.5	2.75	2.5	
Air flow @ 8 bar / 120 psi	l/min	27	31	27	31	27	31	
	cfm	0.95	1.1	0.95	1.1	0.95	1.1	
Max. pressure	bar	8	8	8	8	8	8	
	PSI	120	120	120	120	120	120	
Max. current	Amps	5	5.8	4.8	5.3	2.6	2.9	
	Receiver volume	litres	4		4		4	
	gallon	1.05		1.05		1.05		
Weight	kg	29.5		29.5		29.5		
	lbs	65		65		65		
Noise level	dB(A)/1m	46	48	46	48	46	48	
Thermal protection		Yes		Yes		Yes		
Duty cycle		100%		100%		100%		

### Air Flow

SCFM SLPM



### Product Dimensions



\*for unit without accessories or options



**Wolflabs**

# Wolf Laboratories Limited

[www.wolflabs.co.uk](http://www.wolflabs.co.uk)

Tel: 01759 301142

Fax: 01759 301143

[sales@wolflabs.co.uk](mailto:sales@wolflabs.co.uk)



**Use the above details to contact us if this literature doesn't answer all your questions.**

**Pricing on any accessories shown can be found by keying the part number into the search box on our website.**

The specifications listed in this brochure are subject to change by the manufacturer and therefore cannot be guaranteed to be correct. If there are aspects of the specification that must be guaranteed, please provide these to our sales team so that details can be confirmed.

