

# The APOLLO<sup>®</sup>-Series



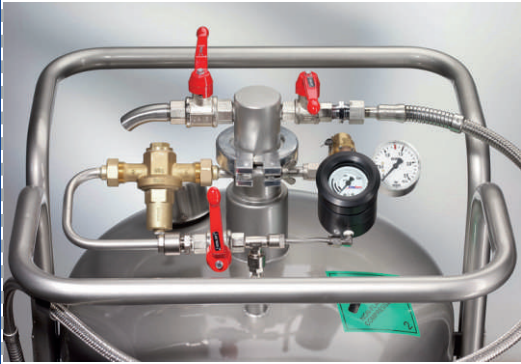
Reliability  
we can be  
proud of

Supply vessels for cryogenic liquid nitrogen with vacuum super insulation and long-time vacuum protection

Standard equipment:

- Integrated safety device at the vessel neck
- Combined positive pressure-relief and seal-off device
- Smooth running rolls and transport protection frame
- Separate transport plug DN 50
- Level indicator
- Decanting head with waste gas and overflow valve
- Integrated pressure build-up
- Decanting hose (1.5 metres) with phase separator

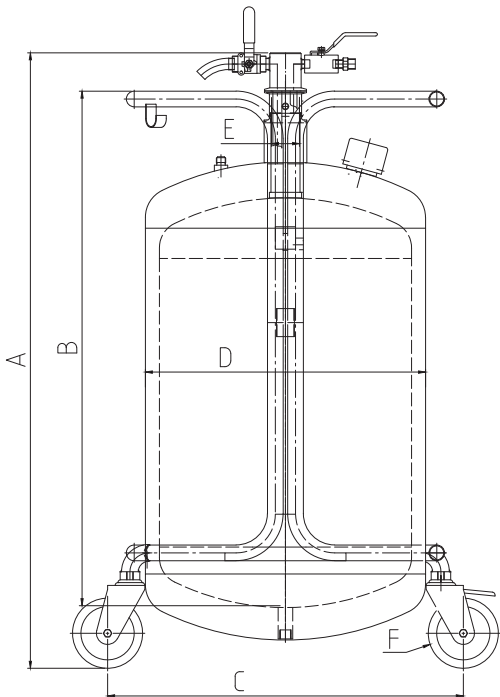
# Rapid cold at the point of use



### Options:

- Pressure build-up controller
- Pressure reduction controller (TRB801)
- Double withdrawal at the liquid side
- Double withdrawal at the gas side
- Triple withdrawal at the liquid side
- Triple withdrawal at the gas side
- Level indicator, capacitive, battery
- Level indicator, capacitive, 4 to 20 mA
- Fork lift pockets
- Set of guide rolls, antimagnetic
- Cryo protecting equipment, complete

Further extras are available on request



Technical Data						
Vessel Type		APOLLO® 50 1.3 bar	APOLLO® 100 1.3 bar	APOLLO® 150 1.3 bar	APOLLO® 200 2.0 bar	APOLLO® 350 2.0 bar
Vessel material		Stainless steel	Stainless steel	Stainless steel	Stainless steel	Stainless steel
Approval mark		CE	CE	CE	CE0035	CE0035
Geometrical capacity	[ l ]	49.5	99.2	149.5	198.5	348
Operating over-pressure max.	[ bar ]	1.3	1.3	1.3	2.0	2.0
Empty weight	[ kg ]	44	62	79	100	160
Full weight	[ kg ]	85	145	204	266	450
Static evaporation rate	[%/d]	2	1.2	1	0.6	0.5
Total height	A [ cm ]	80	114	146	117	165
Outside diameter	D [ cm ]	50	50	50	70	70
Total width	C [ cm ]	65	65	65	80	80
Immersion depth	B [ cm ]	58.5	92	122	91	135
Castor diameter	F [ mm ]	125	125	125	160	160
Neck diameter	E [ mm ]	50	50	50	50	50
Decanting head connections		KF 50	KF 50	KF 50	KF 50	KF 50
Article number		78202700	78202701	78202702	78202748	78202749

## Contact





**Wolflabs**

# Wolf Laboratories Limited

[www.wolflabs.co.uk](http://www.wolflabs.co.uk)

Tel: 01759 301142

Fax: 01759 301143

[sales@wolflabs.co.uk](mailto:sales@wolflabs.co.uk)



**Use the above details to contact us if this literature doesn't answer all your questions.**

**Pricing on any accessories shown can be found by keying the part number into the search box on our website.**

The specifications listed in this brochure are subject to change by the manufacturer and therefore cannot be guaranteed to be correct. If there are aspects of the specification that must be guaranteed, please provide these to our sales team so that details can be confirmed.

