



BASIC GLOVE BOXES

Available in bench top Polymer style or Aluminum Glove Boxes, these simple, airtight glove units can control oxygen, moisture, temperature, or a combination of all three. Applications include use as a containment glove box or simple dry gas purge box to control moisture or oxygen levels. Automatic controls can be added for more critical or precise applications.

All Basic COY Glove Boxes are fabricated to meet rigorous standards for cleanliness and durability. Solvent welding ensures an air-tight structure that won't leak.



POLYMER GLOVE BOX



The door gaskets provide a safe positive seal without interfering with full access to the glove box interior. The viewing slope allows the user an uninterrupted view of the work in progress. Gloves are easily exchanged/ replaced in a matter of minutes. Pressure Relief Valves and Manual Inlet Ball Valves make it easy to purge in a desired gas mix for oxygen or moisture control.



ALUMINUM GLOVE BOX



The Patented Diaphragm Top, manufactured from durable PVC vinyl, allows easy access into the rigid COY Glove Boxes by expanding and contracting to compensate for changing volume levels caused by hands being inserted into and removed from the glove box. This minimizes gas expelled into the lab atmosphere and increases comfort, as the user no longer has to fight the gloves.

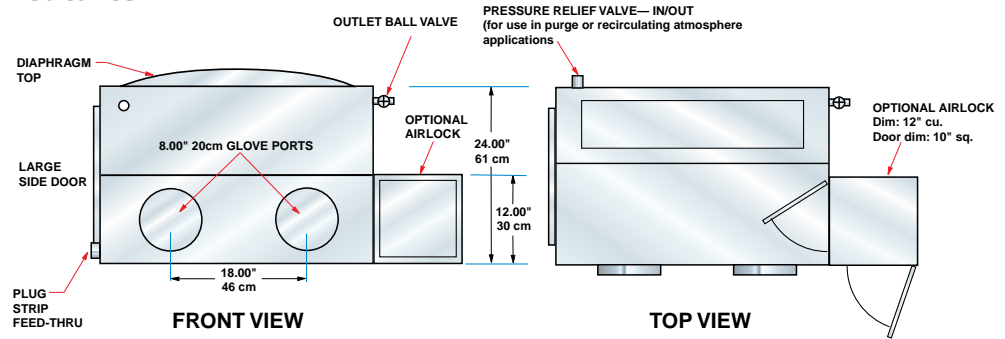
Standard Equipment

- Sleeve Length Neoprene Gloves
- Manual Ball Valve
- Patented Diaphragm Top (see sidebar)
- Adjustable Shelves
- Large Side Door
- Automatic Pressure Relief Valve
- Interior 6 Outlet Plug Strip

Sizes and part numbers

Part #	Polymer Glove Box	Dimensions
8307-025	2 ft. Polymer Glove Box (1 person unit)	26" L x 26" D (660mm x 660mm)
8307-030	3 ft. Polymer Glove Box (1 person unit)	38" L x 26" D (965mm x 660mm)
8307-040	4 ft. Polymer Glove Box (1 person unit)	50" L x 26" D (1270mm x 660mm)
8307-050	5 ft. Polymer Glove Box (2 person unit)	62" L x 26" D (1524mm x 660mm)
Aluminum Glove Box		
8307-060	1 Person Aluminum Glove Box	42" L x 24" D x 36" H
8307-070	2 Person Aluminum Glove Box	72" L x 24" D x 36" H

Features





FLEXIBLE VINYL BASIC GLOVE BAG



Purge Airlocks and Transfer Chambers

All COY Glove Boxes and Glove Bags may be connected to polymer airlocks. Airlocks are available in automatic or manual purge or as a simple pass-through. These transfer chambers minimize the chamber's atmosphere loss and contamination when parts are moved in and out of the glove box. Silicone Gaskets and Solvent Welding ensure long life and airtight seal.

Standard Dimensions

12" x 12" x 12"

Door Dimensions 10" x 10"

Custom Sizes are available

Part #	Description
8150-110/220	Auto Purge Airlock
8400-025	Manual Purge Airlock
8400-026	Pass-Thru Airlock

Wolf Laboratories

www.wolflabs.co.uk



For over 30 years, COY has manufactured vinyl glove boxes specifically for anaerobic microbiology. Now these versatile and inexpensive glove bags are available for your lab. More durable than typical Glove Bags, the COY Vinyl Glove Boxes have proven to last from 5-8 years in clinical microbiology labs. The large glove ports (11" x 13") and the flexible nature of the vinyl create a very comfortable working environment. The aluminum support frames prevent the glove box from collapsing on your work. The neoprene gloves are replaceable without compromising the glove box atmosphere. Vinyl's flexible nature allows for greater reach on the interior, thus creating a larger workspace. Over 25 accessories are available to establish and maintain your desired atmosphere including: containment, oxygen control, humidity control or dry atmosphere. Glove Bag Replacement: Replacement Glove Bags can be ordered to replace the existing vinyl chamber, when it has exceeded its life span. Simply attach the new bag to the existing base and frame assembly.



Standard Accessories

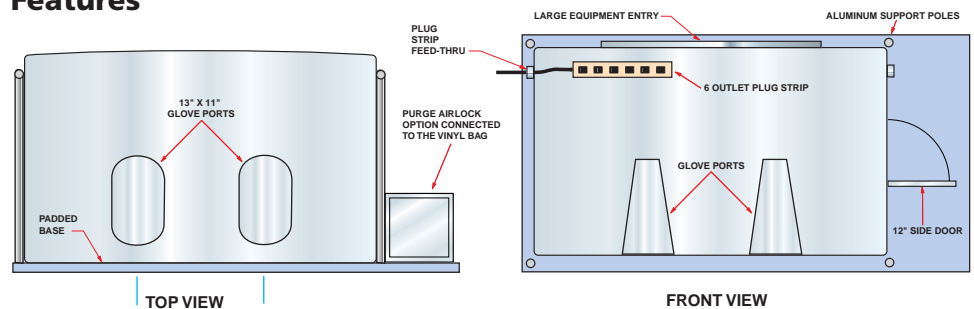
- Neoprene Gloves
- Aluminum Support Frame and Padded Wooden Base
- 12" x 12" Polymer Side Door
- Manual Ball Valve & Automatic Pressure Relief Valve
- 2 Utility Nipples
- Interior Power Supply (6 outlet plug strip)
- 25" Large Equipment Entry Port

Standard Glove Bag Sizes:

Part number	Description	Dimensions
7602-110/220	Mini Glove Bag	30" W x 26" H x 28" D
7601-110/220	One Person Glove Bag	44" W x 26" H x 28" D
7600-110/220	Two Person Glove Bag	78" W x 26" H x 28" D

Custom Sizes are available

Features





Wolflabs

Wolf Laboratories Limited

www.wolflabs.co.uk

Tel: 01759 301142

Fax: 01759 301143

sales@wolflabs.co.uk



Use the above details to contact us if this literature doesn't answer all your questions.

Pricing on any accessories shown can be found by keying the part number into the search box on our website.

The specifications listed in this brochure are subject to change by the manufacturer and therefore cannot be guaranteed to be correct. If there are aspects of the specification that must be guaranteed, please provide these to our sales team so that details can be confirmed.

