

asecos®



BEDIENUNGSANLEITUNG

Sicherheitsschränke

USER MANUAL

Safety storage cabinets

GEbruIKSAANWIJZING

Veiligheidskasten

NOTICE D'UTILISATION

Armoires de sécurité d'après

MANUAL DE INSTRUCCIONES

Armarios de seguridad

ISTRUZIONI PER L'USO

Armadi di sicurezza

INSTRUÇÕES DE SERVIÇO

Armários de segurança



5 JAHRE GARANTIE*

* Bei Abschluss eines **BASICPlus-Vertrages**, mit fester 5-jähriger Laufzeit, genießen Sie 5 Jahre Garantie für Ihren Sicherheitsschrank.

5 YEARS WARRANTY*

Upon conclusion of an asecos service and maintenance agreement (BasicPlus tariff**) with a fixed term of 5 years, you will get a warranty extension for a maximum of 5 years for your safety storage cabinet.*

Weitere Informationen zu unseren Garantieleistungen finden Sie unter www.asecos.com/service-leistungen

For detailed information about our warranties please visit www.asecos.com/service-conditions



**SL-CLASSIC**

SL.196.120.MV
SL.196.120.MV.WDC
SL.196.060.MH
SL.196.060.MH.WDC
SL.196.060.MH.R

SL-CLASSIC-UB

SL.060.140.UB
SL.060.110.UB
SL.060.059.UB
SL.060.059.UB.R
SL.080.059.UB.TCR
SL.080.110.UB.2TC

**C-CLASSIC**

C.195.120
C.195.060
C.195.060.R

C-CLASSIC-UB

C.060.110.UB

CF-CLASSIC

CF.195.120
CF.195.095
CF.195.095.F
CF.195.060
CF.140.120
CF.140.095
CF.140.060.

CS-CLASSIC

CS.195.105
CS.195.081
CS.195.054
CS.195.054.R
CS.110.105
CS.110.081
CS.110.054
CS.110.054.R
CS.195.105.MM.4WD
CS.195.054.MH.3WD

CS-CLASSIC-G

CS.195.105.WDFW
CS.195.081.WDFW
CS.195.054.WDFW
CS.195.054.WDFWR
CS.110.105.WDFW
CS.110.081.WDFW
CS.110.054.WDFW
CS.110.054.WDFWR

CS-CLASSIC-F

CS.195.105.F

CS-CLASSIC-GF

CS.195.105.F.WDFW

CS-PHOENIX

CS.195.105.FD
CS.110.105.FD

**G-OD**

GOD.215.135
GOD.215.100
GOD.215.070.R
GOD.215.135.WDFW
GOD.215.100.WDFW
GOD.215.070.WDFWR
GOD.215.135.WDHW
GOD.215.100.WDHW
GOD.215.070.WDHW

**E-CLASSIC**

E.195.095
E.195.095.2
E.140.095
E.140.095.2

E-CLASSIC-UF

E.195.095.F
E.195.095.F2

E-CLASSIC-MF

EM.195.095.F2

E-PSM

EP.195.095
EP.195.095.2

E-PSM-UF

EP.195.095.F
EP.195.095.F2



asecos GmbH
Abt. Kundendienst
Weiherfeldsiedlung 16-18
D-63584 Gründau
Fax: +49 60 51 - 92 20-10

Sehr geehrte Kundin, sehr geehrter Kunde,

mit dem Kauf Ihres asecos-Sicherheitsschranks haben Sie eine entscheidende Investition für die Sicherheit in Ihrem Haus getätigt. Vor Ihnen steht ein innovatives Produkt aus hochwertigen Materialien, das höchste Qualität garantiert.

Sicherheitsschränke aus dem Hause asecos verfügen über eine lückenlose Zulassungs-Dokumentation. Wir archivieren Ihre Zulassungsdokumente jedes einzelnen Schrankes für Sie, bis Sie diese im Bedarfsfall (z. B. einer Betriebsbegehung o. ä.) mit diesem Formular von uns anfordern.

Dazu einfach dieses Formular heraustrennen/kopieren und mit Ihrer Adresse und der Seriennummer des Schrankes versehen per Fax zurück an uns.

Mit freundlichen Grüßen

asecos GmbH

Dear Customer,

you have made a decisive investment in safety for your company by purchasing this asecos safety storage cabinet. You now own an innovative product made of top-quality materials guaranteeing the highest quality standards.

asecos safety storage cabinets have complete authorisation documents. We archive the authorisation documents for every individual cabinet, keeping them ready for you should you ever need them (e.g. for a works inspection or similar). Simply request them using this form.

Tear off or copy that page and return to us by fax with your address and serial number of the cabinet on it.

Yours sincerely

asecos GmbH

Firma • company	
Abteilung • department	
Name • name	
Straße • street	
PLZ • postal code	
Ort • city	
Schrank • cabinet Seriennummer(n) • serial number(s)	



OPERATING INSTRUCTIONS

Dear customer,

Thank you very much for purchasing a safety storage cabinet from our company, with which you have made a decisive investment in the safety within your company.

Our safety storage cabinets make the storage of hazardous materials at the workplace safe and convenient for you.

Please read these operating instructions very carefully. Get to know the advantages and simple operability of our safety storage cabinets in detail.

This simplifies the daily handling of hazardous materials for you.

Many thanks.

Your asecos team

EN

TABLE OF CONTENTS

1. NOTES • GUIDELINES • GUARANTEE	6
1.1. General safety notes	6
1.2. Guarantee	6
1.3. Cabinet details	6
2. TRANSPORT	7
3. ERECTION • COMMISSIONING • FUNCTION	7
3.1. Alignment of the cabinets	7
3.2. Anti-tilt device	7
4. TYPES OF CLOSING • LOCKING	8
5. INTERIOR FITTINGS: C-LINE • E-LINE • SL-LINE	8
5.1. Shelves	8
5.2. Spill containment sump	9
6. INTERIOR FITTINGS: G-OD	9
6.1. Mounting rails	9
6.2. Cylinder retainer	9
6.3. Rolling ramp (optional)	9
6.4. Side cylinder retainer (optional)	10
6.5. Shelf (optional)	10
6.6. Pipe / cable lead-through	10
7. VENTILATION	10
7.1. Overview	10
7.2. Ventilation connection	11
8. FIRE • DISPOSAL	12
8.1. Opening the Safety box after the fire	12
8.2. Disposal	12
9. SAFETY CHECKS	12



1.1. GENERAL SAFETY NOTES

- Observe applicable statutes and regulations, and the notes in these operating instructions, when handling hazardous materials.
- Work on the electrical system is to be carried out only with the power turned off and only by qualified electricians – refer here to the regulations of the local electricity supply company.
- The on-site installation conditions are to be observed (e.g. bolting the cabinets to the building).
- The instructions of the supervisory engineering department must be followed.
- Observe accident prevention regulations and workplace ordinance.
- Ensure that necessary safety checks are only carried out by authorised staff using original spare parts.
- Only use the cabinet after having been properly instructed; access is to be forbidden to unauthorised persons.
- The pivoting area of the doors is to be kept free at all times; doors/drawers are to be kept closed.
- By assigning trained/authorised technical personnel you can prevent the malfunctions, damage and corrosion damage that result from inappropriate transport.
- Observe the upper limits for stored quantities, loading etc.
- Containers with a volume larger than that of the spill containment sump may not be placed inside the cabinet; spilt hazardous materials are to be collected immediately and removed.
- Vessels containing aggressive chemicals (acids/alkalis) are to be kept in special cabinets for acids and alkalis or on shelves for acids and alkalis as well as in cabinets with metal-free interior equipment.
- Sufficient technical ventilation must be ensured.
- Before storing such materials, check that the cabinet's surface is resistant to the chemicals.
- The storage of corrosive liquids or gases can affect the function of the shut-off equipment for the air supply and exhaust.
- Before the initial commissioning, the safety storage cabinet is to be examined by the user for possible damage.



1.2. GUARANTEE

The guarantee for this product is agreed between you (the customer) and your dealer (the seller). As the manufacturer, asecos guarantees the products listed in the operating instructions for a period of 24 months from the date of delivery. All model safety equipment are subject to a compulsory annual inspection by specialised staff authorised by the manufacturer. Otherwise the customer's guarantee claim against the manufacturer expires.



1.3. CABINET DETAILS

A complete overview of the models can be found at the start of the operating instructions.

C-CLASSIC · CS-CLASSIC · CS-CLASSIC-G · CS-PHOENIX

secure storage of chemicals in accordance with regulations (not for the storage of inflammable liquids)

CS-CLASSIC-F · CS-CLASSIC-GF

secure storage of chemicals in accordance with regulations, safety box for the storage of inflammable liquids, aerosol cans, etc

CF-CLASSIC: secure storage of chemicals and combustible liquids in accordance with the valid national regulations

E-CLASSIC · E-PSM: secure storage of liquids hazardous to the aquatic environment in accordance with regulations (not for the storage of inflammable liquids)

E-CLASSIC-UF

secure storage of liquids hazardous to the aquatic environment in accordance with regulations, safety box for the storage of inflammable liquids, aerosol cans, etc.

E-CLASSIC-MF: for the storage of consumables, tools etc., safety box for the storage of inflammable liquids, aerosol cans etc.

SL-LINE: secure storage of aggressive liquids in accordance with regulations (not for the storage of inflammable liquids)

G-OD: for maintaining a stock, emptying and storing pressurised gas cylinders in the open or inside buildings, in accordance with regulations.

Cabinet data

➔ Logbook
(included with the cabinet)

Technical drawing

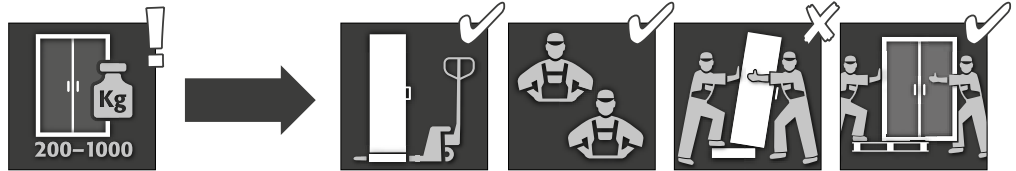
➔ Appendix 1

Technical data

➔ Table in Appendix 2

2. TRANSPORT

GENERAL

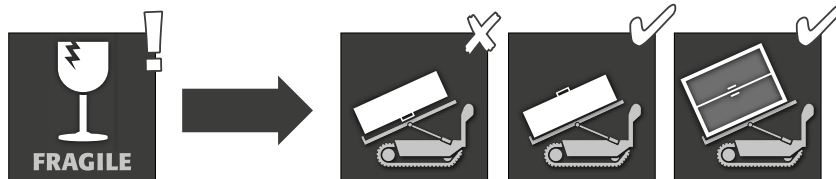


CAUTION:

Transport the cabinet in an upright position on a pallet truck, tied and secured against slipping, until the final place of installation is reached. Inappropriate transport can lead to concealed damage to the cabinet! We can only guarantee the necessary quality if the cabinet is transported to the place of its use by our specially trained staff.

Written notification of any damage to the cabinet must be given immediatly!

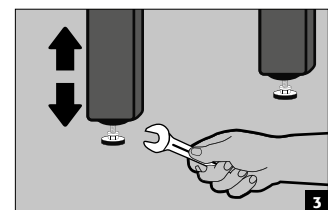
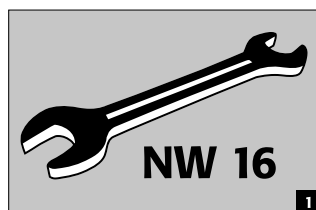
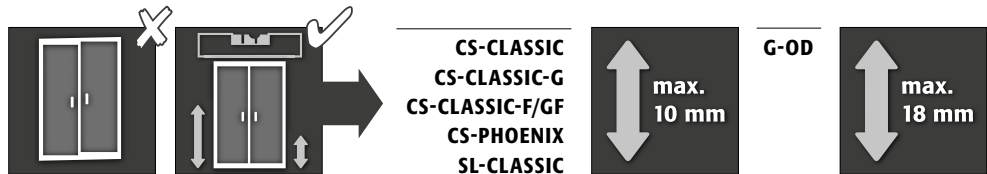
Tilting the cabinet (may only be done without jolts)



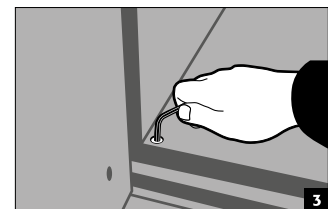
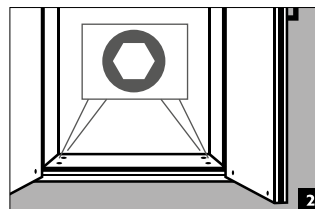
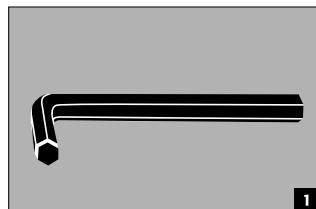
3. ERECTION · COMMISSIONING · FUNCTION

3.1. ALIGNMENT OF THE CABINETS

GENERAL

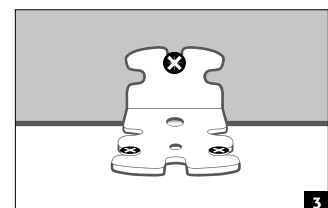
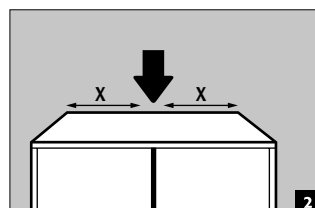
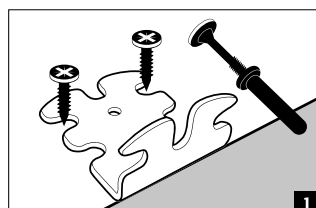


CS-CLASSIC
CS-CLASSIC-G
CS-CLASSIC-F
CS-CLASSIC-GF
CS-PHOENIX
SL-CLASSIC
G-OD

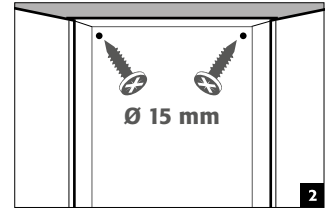
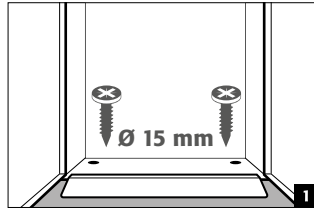


3.2. ANTI-TILT DEVICE

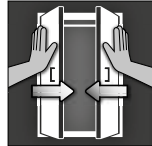
SL-CLASSIC
C-LINE
E-LINE



G-OD

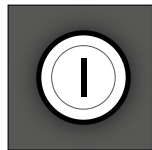


4. TYPES OF CLOSING · LOCKING



CAUTION:

Make sure that the door(s) are always closed again after use. The door is/doors are always locked by hand.



- the cabinets are lockable by means of safety cylinders



**SL-CLASSIC
G-OD (OPTIONAL)**

- are available with profile lock (G-OD optional)

5. INTERIOR FITTINGS: C-LINE · E-LINE · SL-LINE

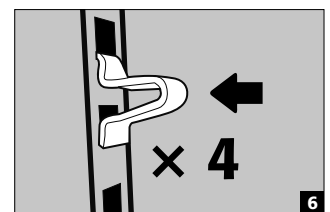
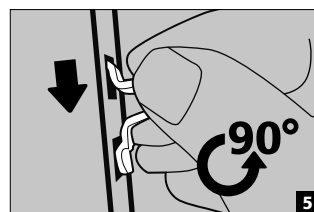
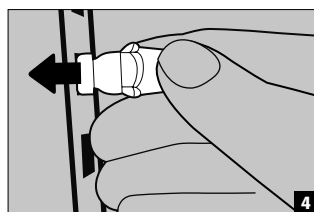
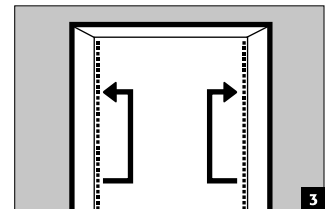
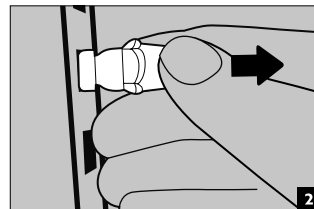
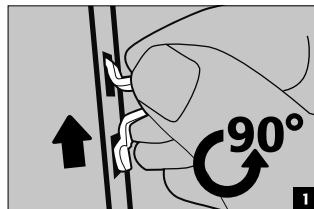
5.1. SHELVES



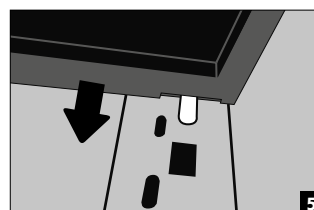
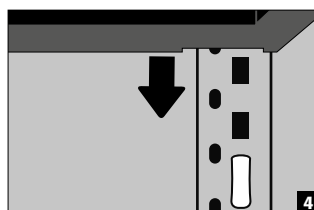
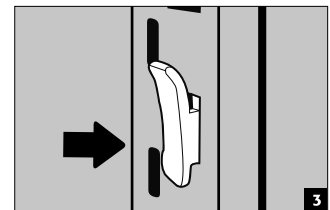
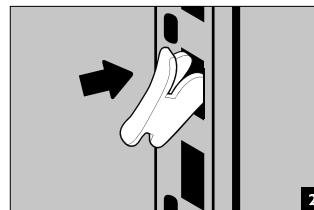
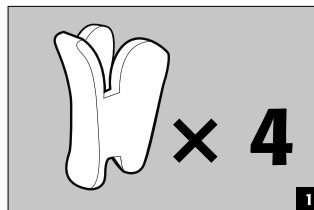
CAUTION:

When adjusting the shelves, ensure that no containers are resting on the shelf so that they cannot be pushed over or damaged by the modification work in the cabinet.

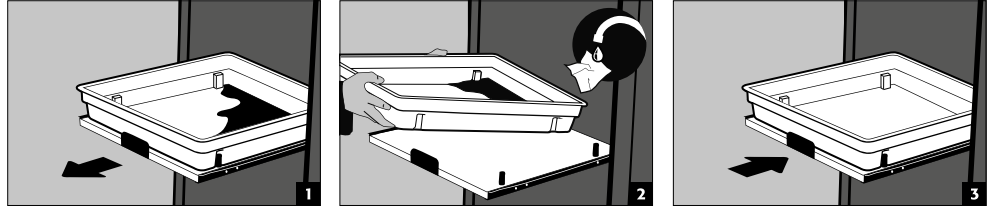
C-CLASSIC
CF-CLASSIC
E-LINE



CS-CLASSIC
CS-CLASSIC-G
CS-CLASSIC-F
CS-CLASSIC-GF
CS-PHOENIX



SL-LINE
CS-CLASSIC
CS-CLASSIC-G
CS-PHOENIX



CAUTION:

The drawers are permanently installed in the cabinet and are fitted with drawer stops. They must be pushed into the cabinet by hand after use. Cabinets with drawers must be fastened to the wall by means of an anti-tipping device (see 3.2)!

5.2. SPILL CONTAINMENT SUMP



CAUTION:

The individual volumes that can be collected can be found in the table of technical data in the appendix.

C-LINE

- It is the purpose of the spill containment sump to collect any liquids that might escape inside the cabinet.

SL-LINE

- Plastic sumps, impervious to liquids, at each storage level for trapping any liquid leaks

**E-CLASSIC
E-PSM**

- Insertable sumps, impervious to liquids, at each storage level for trapping any liquid leaks.

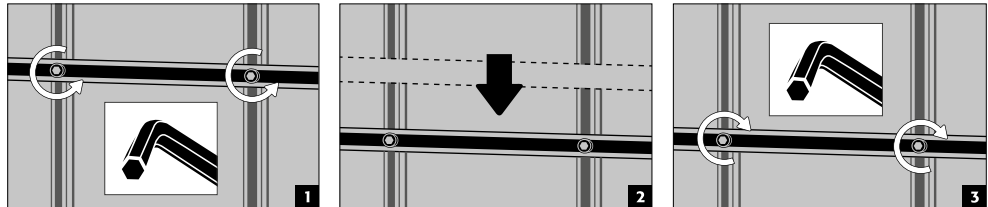
**E-CLASSIC-UF/MF
E-PSM-UF**

- Safety box additionally equipped with separate spill containment sump

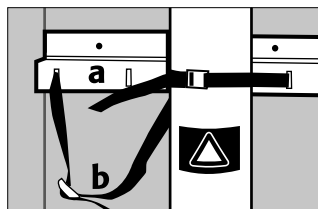
6. INTERIOR FITTINGS: G-OD

6.1. MOUNTING RAILS

- for fittings for pressurised gases, height-adjustable

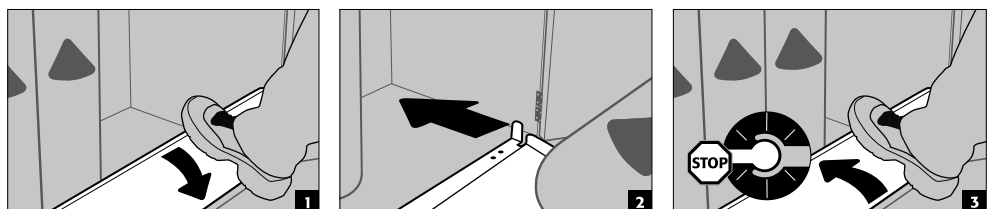


6.2. CYLINDER RETAINER

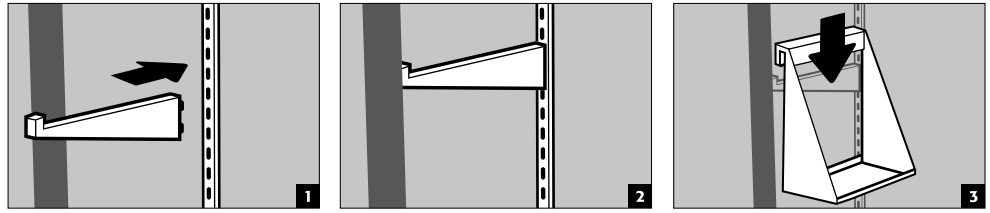


- a permanently mounted on the rear wall
- b tension belts for securing the gas cylinders

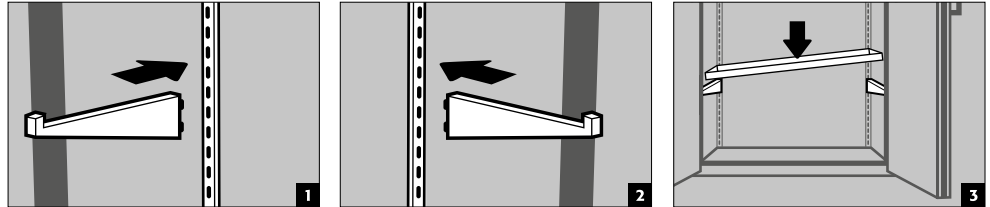
6.3. ROLLING RAMP (OPTIONAL)



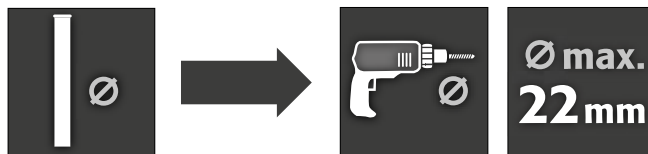
6.4. SIDE CYLINDER RETAINER (OPTIONAL)



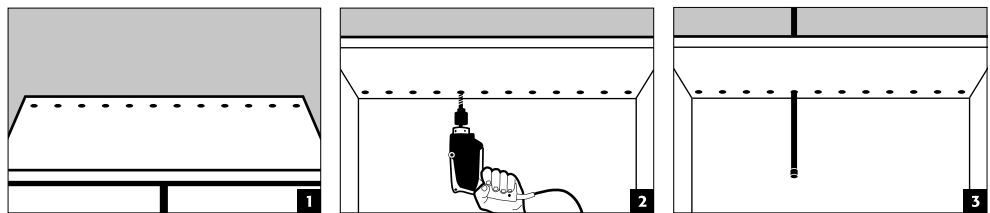
6.5. SHELF (OPTIONAL)



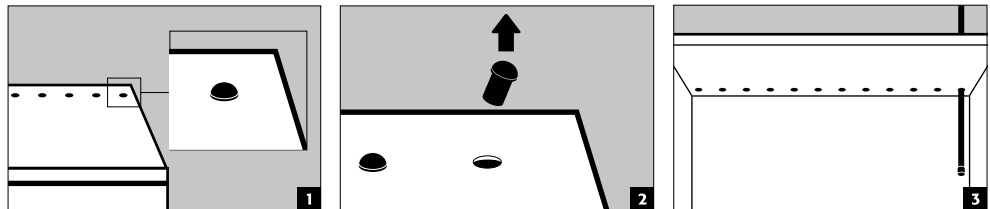
6.6. PIPE / CABLE LEAD-THROUGH



Pipe diameter < 20 mm



Pipe diameter = 20 mm



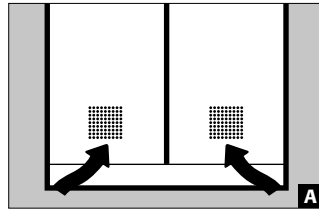
7. VENTILATION

7.1. OVERVIEW

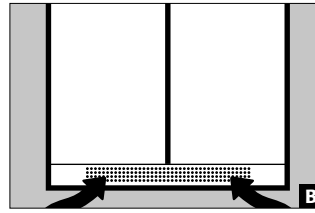
	not necessary	recommended	mandatory	!! NOTE !!
C-LINE		When storing volatile chemicals		Observe national regulations for prescribed air recirculation rate, max. pressure drops, exhaust air ducts!
CF.195.095.F CS.195.105.F · CS.195.105.F/WDFW		Safety box connection		
SL-LINE			When storing aggressive substances	min. air recirculation rate 30x per hour, Observe national regulations for prescribed air recirculation rate, max. pressure drops, exhaust air ducts!
E-LINE				Observe national regulations for prescribed air recirculation rate, max. pressure drops, exhaust air ducts!
E-CLASSIC-UF/MF · E-PSM-UF		Safety box connection		
G-LINE			When installed in buildings	Observe national regulations for prescribed air recirculation rate, max. pressure drops, exhaust air ducts!

7.2. VENTILATION CONNECTION

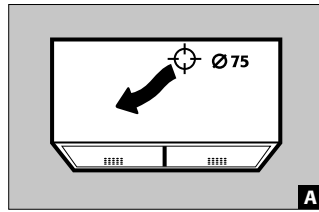
C-LINE
(EXCEPT CF.195.095.F)



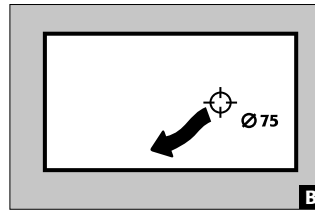
Supply air



A C-CLASSIC
CF-CLASSIC
B CS-CLASSIC
CS-CLASSIC-G
CS-CLASSIC-F
CS-CLASSIC-GF
CS-PHOENIX

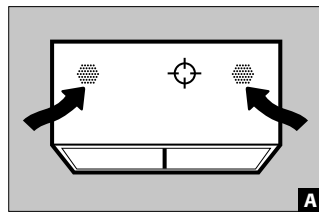


Exhaust air

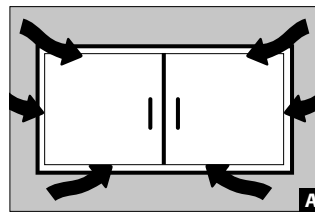


A C-CLASSIC
CF-CLASSIC
CS-CLASSIC
CS-CLASSIC-F
CS-CLASSIC-GF
CS-CLASSIC-G
CS-PHOENIX
B C-CLASSIC-UB

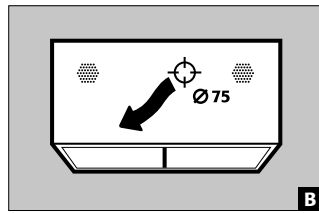
SL-LINE



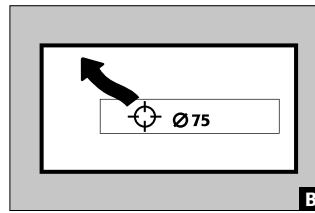
Supply air



A SL-CLASSIC
B SL-CLASSIC-UB



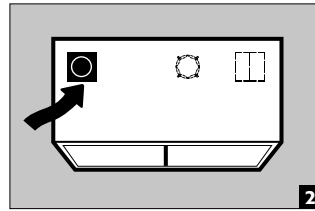
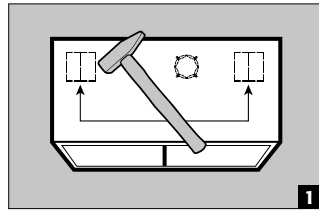
Exhaust air



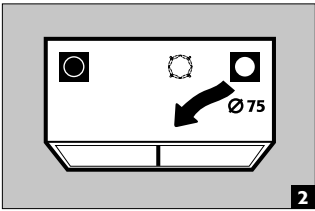
A SL-CLASSIC
B SL-CLASSIC-UB

SAFETY BOX:
E-CLASSIC-UF
E-CLASSIC-MF
E-PSM-UF

CF.195.095.F

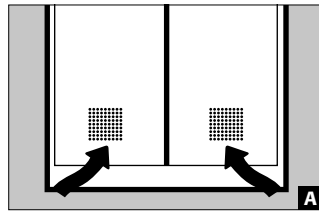


Supply air

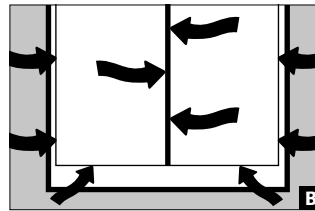


Exhaust air

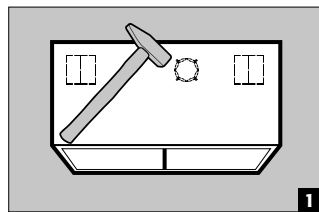
E-CLASSIC
E-PSM



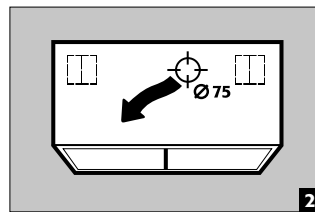
Supply air

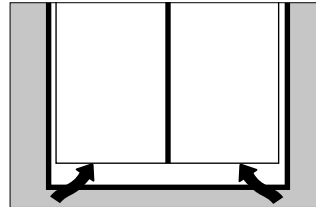


A E-PSM
B E-CLASSIC

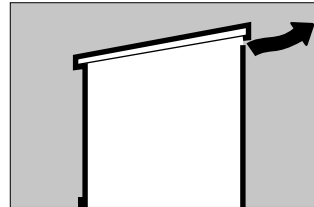


Exhaust air

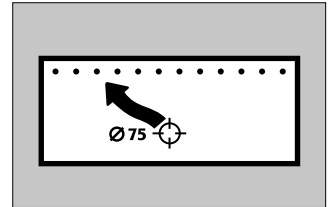




Supply air



Exhaust air



Exhaust air (optional)

8. FIRE · DISPOSAL

8.1. OPENING THE SAFETY BOX AFTER THE FIRE



CAUTION:

Depending upon the duration of the fire an ignitable vapour/air mixture may have formed; therefore remove all sources of ignition within a 10 metre radius of the cabinet before opening it.

- use only spark-free tools
- open the cabinets with extreme caution

8.2. DISPOSAL



Die Modelle können zerlegt sortenrein der Entsorgung zugeführt werden. Sie sind frei von Materialien, die dem Sondermüll zugeführt werden müssten.

9. SAFETY CHECKS

ALL MODELS

The cabinets are designed and built in such a way that no significant servicing is required. If safety-relevant damage (such as to the seals in acid and alkali cabinets) is found, the operator must ensure that original parts are used to restore the cabin to good order before it is used again. In order to check the evacuation, take a light piece of fluff or a smoke tube, and check that you can observe a draught inside the cabinet in the area of the outlet opening (on the right of the cabinet or at the rear wall).

SAFETY BOX

Daily functional check

- applies to the spill containment sumps (collect and remove any leakages)

monthly functional check

- perfect function of the doors
- correct seating and condition of the fire protection seals

In the event of damage, please contact your dealer immediately so that the manufacturer can repair the safety box with tested original parts.

CONTACT:

In the case of defects or complaints about our products (within and also after the warranty period), and for requesting safety checks or taking out a service contract, please contact our service hotline on:

Tel: +44 1785 22 70-90

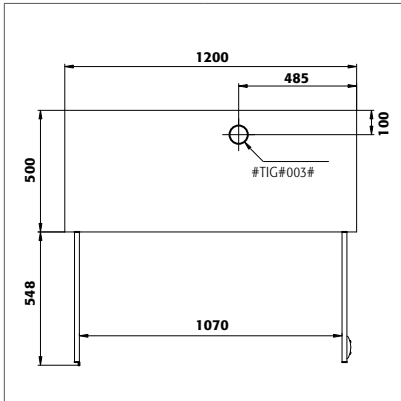
info@asecos.co.uk



C-LINE

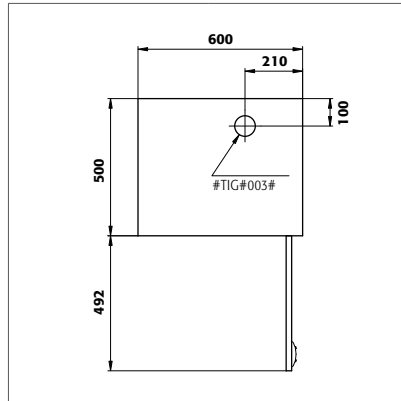
C.195.120
CF.195.120:0004

CF.140.120:0005

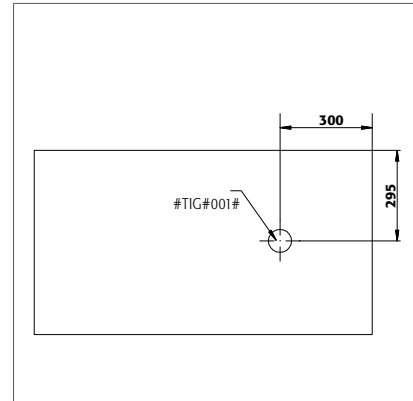


C.195.060
CF.140.060.R:0005

C.195.060.R
CF.195.060.R:0004

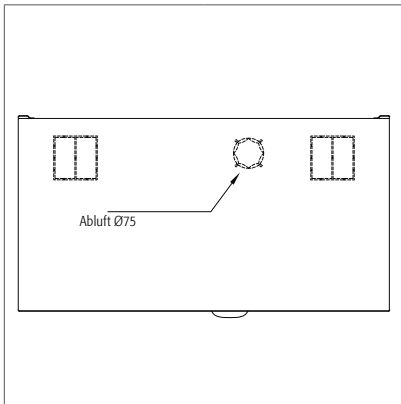


C.060.110.UB

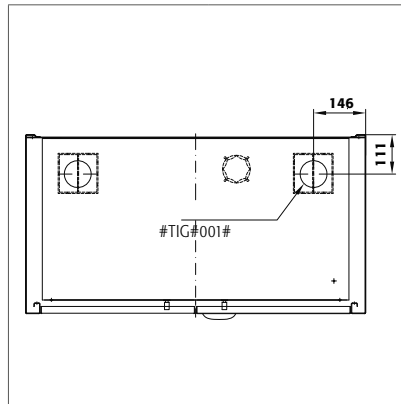


CF.140.095:0005

CF.195.095:0004

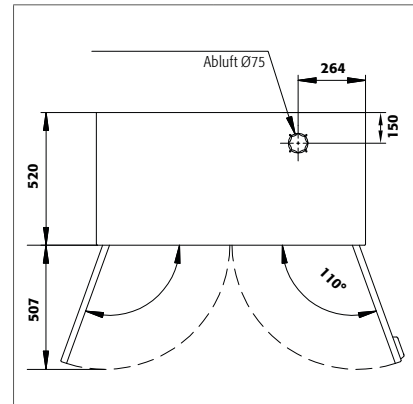


CF.195.095.F:0005



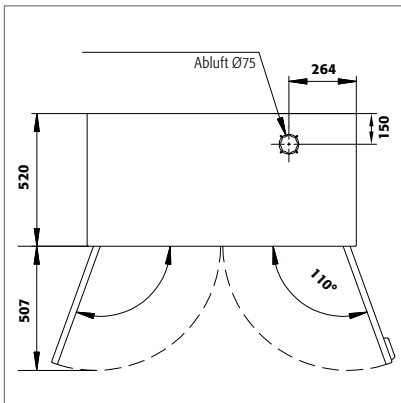
CS.195.105.F

CS.195.105.FWDFW



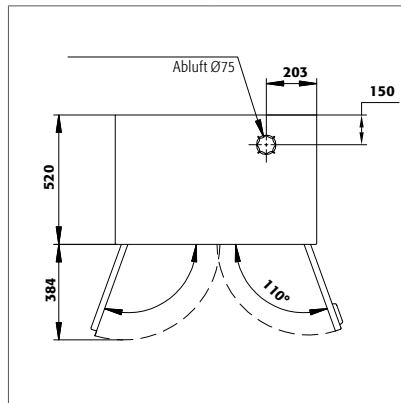
CS.110.105
CS.110.105.WDFW:0002
CS.195.105
CS.195.105.WDFW
CS.195.105:0003

CS.110.105.WDFW
CS.110.105:0002
CS.195.105.MM.4WD
CS.195.105.WDFW:0003



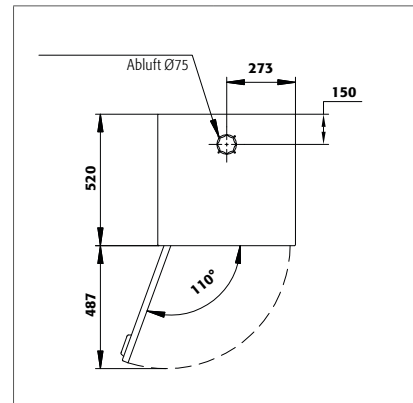
CS.110.081
CS.195.081

CS.110.081.WDFW
CS.195.081.WDFW



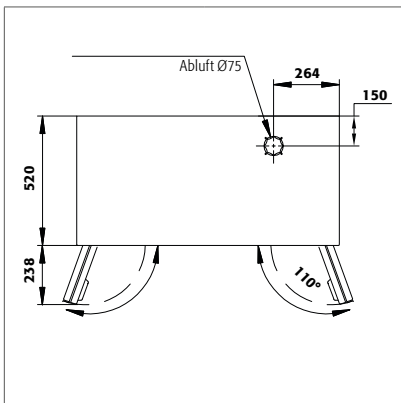
CS.110.054
CS.110.054.WDFW
CS.195.054
CS.195.054.R
CS.195.054.WDFW:0401
CS.195.054:0402

CS.110.054.R
CS.110.054.WDFWR
CS.195.054.MH.3WDR
CS.195.054.WDFW
CS.195.054.WDFWR
CS.195.054:0404



CS.110.105.FD

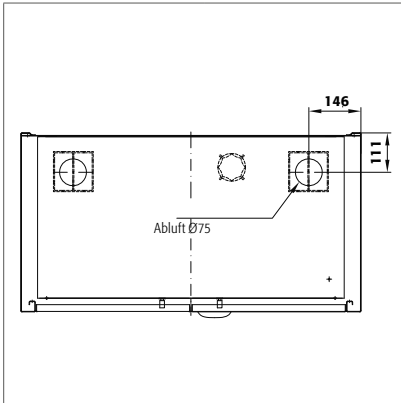
CS.195.105.FD



E-LINE

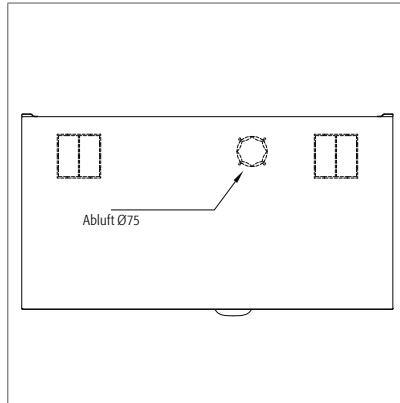
E.195.095.F
EM.195.095.F

E.195.095.F2



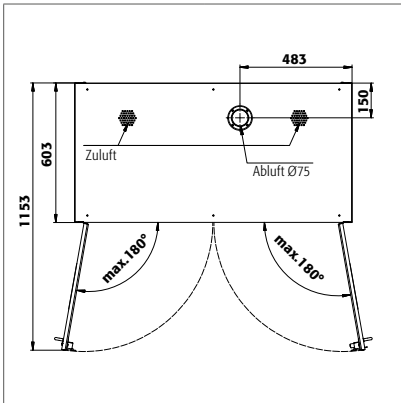
E.140.095
E.195.095
EP.195.095

E.140.095.2
E.195.095.2
EP.195.095.2

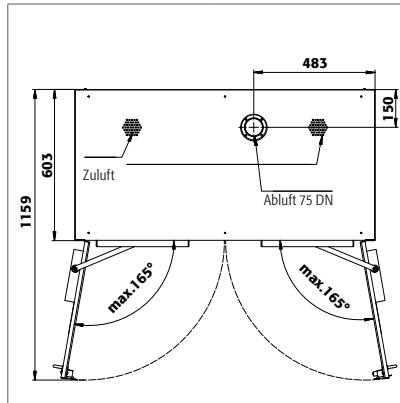


SL-LINE

SL.196.120.MV

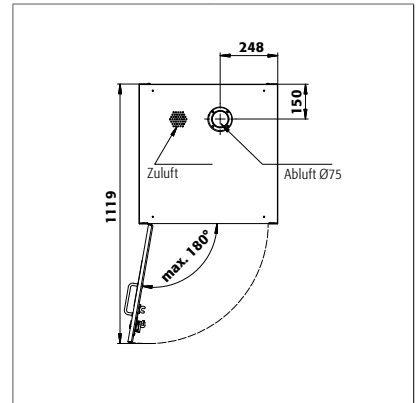


SL.196.120.MVWDC

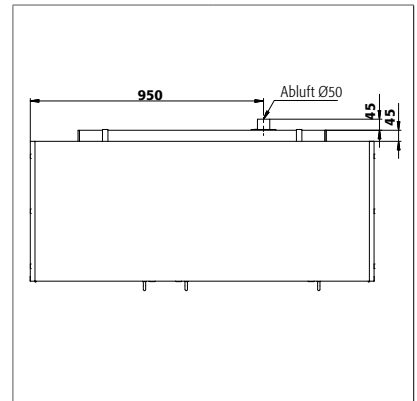


SL.196.060.MH

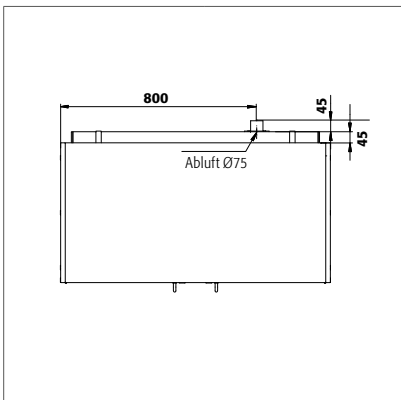
SL.196.060.MH.R



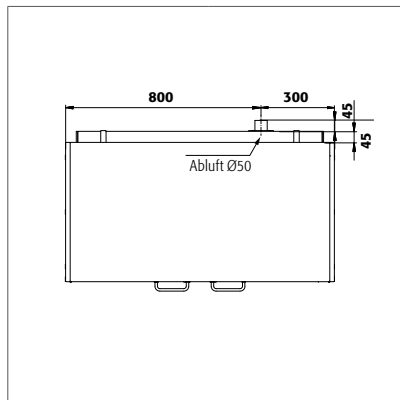
SL.060.140.UB.3T



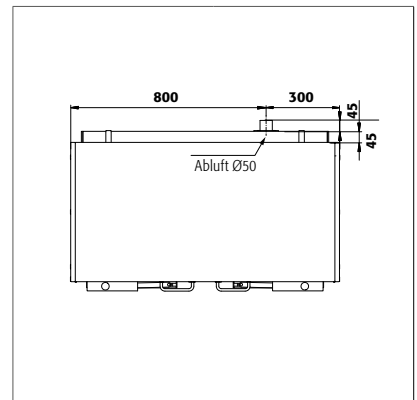
SL.060.110.UB.2T



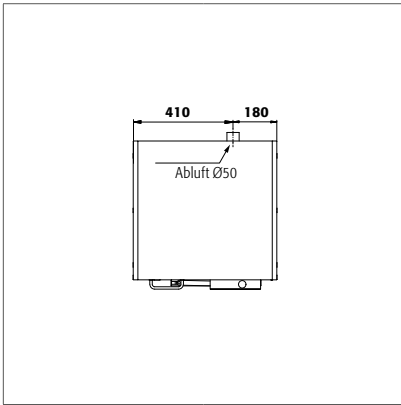
SL.080.110.UB.2T



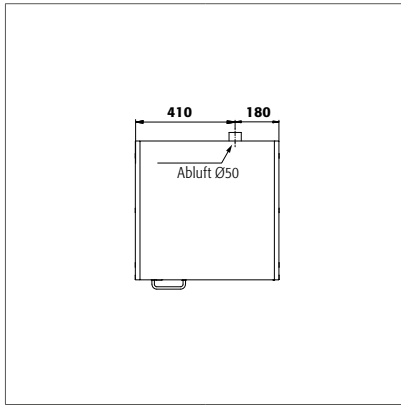
SL.080.110.UB.2TC



SL.080.059.UB.TCR

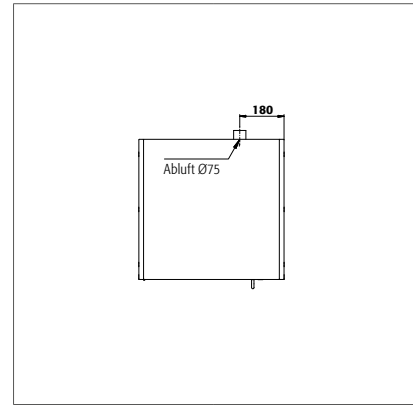


SL.080.059.UB.TR



SL.060.059.UB.T
SL.060.059.UB.TR

SL.060.059.UB.T:0001
SL.060.059.UB.TR:0001

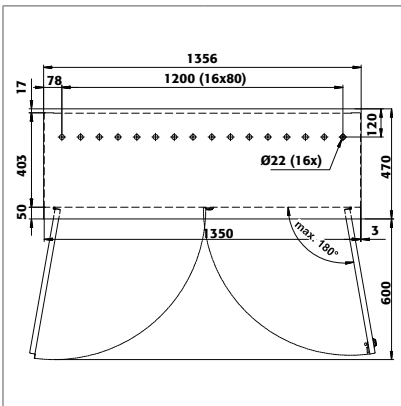


D

G-LINE

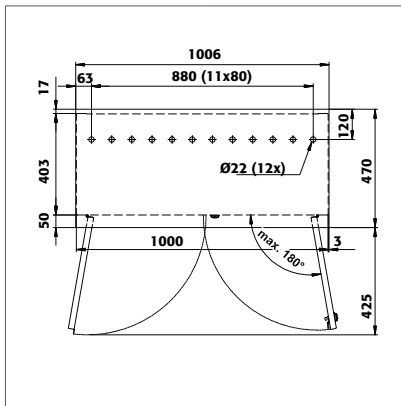
GOD.215.135
GOD.215.135.WDHW

GOD.215.135.WDFW



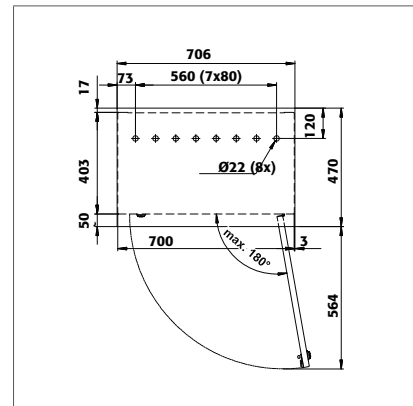
GOD.215.100
GOD.215.100.WDHW

GOD.215.100.WDFW



GOD.215.070.R
GOD.215.070.WDHW

GOD.215.070.WDFWR

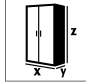







APPENDIX 2: TECHNICAL DATA

Legende für Tabelle „Technische Daten“
Key for “Technical data” table
Legende voor tabel „Technische gegevens”

Légende du tableau « Caractéristiques techniques »
Leyenda de la tabla “Datos técnicos”
Legenda per tabella "Dati tecnici"
Legenda para a tabela "Dados técnicos"

	(mm)	Abmessungen	Dimensions	Afmetingen	Dimensions	Dimensiones	Dimensioni	Dimensões
	(kg)	Leergewicht gesamt	Net Weight	Leeggewicht totaal	Poids total à vide	Peso en vacío total	Peso a vuoto completo	Peso total em vazio
	(kg)	Max. Belastung	max. Load Cabinet	max. belading	Chargement max.	Carga máx	Carico max.	Carga máx.
	(kg)	Max. Belastung Fachboden	max. Load Shelf	max. belasting opvang- legbord	Charge max. d'étagère	Carga máx. bandeja fisso	Carico max. ripiano fisso	Carga máx. da prateleira
	(kg)	Max. Belastung Auszug	max. Load Drawer	max. belasting schuiflade	Charge max. de tiroir	Carga máx. cajón	Carico max. cassetto	Carga máx. do extrato
	(l)	Auffang- volumen Bodenauf- fangwanne	Capacity Bottom collec- ting sump	Opvangcapaciteit bodempvangbak	Volume de rétention de bac de rétention	Volumen de recogida del cubeto de re- tención	Volume di raccolta vasca di raccolta sul fondo	Volume de recolha da bacia de retenção inferior
	(m ³ /h, Pa)	Volumen und Druckverlust bei 10fachen Luftwechsel	Air flow and Pressure Loss at 10times Air change	volume en drukverlies bij 10-voudige lucht- verversing	volume et perte de pression avec un taux de renouvellement de l'air de 10	Volumen y caída de presión con renovación de aire de 10 veces	Volume e perdita di pressione con decuplo cambio dell'aria	Volume e perda de pressão até 10 vezes a renovação de ar
	(m ³ /h, Pa)	Volumen und Druckverlust bei 120fachen Luftwechsel	Air flow and Pressure Loss at 120times Air change	volume en drukverlies bij 120-voudige luchtverversing	volume et perte de pression avec un taux de renouvellement de l'air de 120	Volumen y caída de presión con renovación de aire de 120 veces	Volume e perdita di pressione con centoventesimo cambio dell'aria	Volume e perda de pressão até 120 vezes a renovação de ar

												
	X	Y	Z						m ³	Pa	m ³	Pa
C.195.120	1202	500	1950	55	300	30	-	33	9,7	<2	-	-
C.195.060(.R)	602	500	1950	36	300	30	-	19	4,9	<1	-	-
C.060.110	1102	500	600	21	200	30	-	29	2,1	<1	-	-
CF.195.120	1202	500	1950	55	300	30	-	33	9,7	<2	-	-
CF.195.095	952	500	1950	52	300	30	-	20	7,7	<2	-	-
CF.195.095.F Sicherheitsbox F30	952	500	1950	52+	300	30	-	20	7,7	<2	-	-
	850	450	450	55,5	150	30	-	5,8	1,4	<1	-	-
CF.195.060	602	500	1950	36	300	30	-	19	4,9	<1	-	-
CF.140.120	1202	500	1400	41	200	30	-	33	6,7	<1	-	-
CF.140.095	952	500	1400	37	200	30	-	20	5,3	<1	-	-
CF.140.060	602	500	1400	32	200	30	-	19	3,3	<1	-	-
CS.195.105(.FD/.WDFW)	1055	520	1950	75	600	100	30	33	9,0	<2	-	-
CS.195.081(.WDFW)	810	520	1950	68	600	60	30	33	6,8	<1	-	-
CS.195.054(.WDFW[R])	545	520	1950	51	600	50	30	22	4,4	<1	-	-
CS.195.105.MM.4WD	1055	520	1950	75	600	50	30	22	9,0	<2	-	-
CS.195.054.MH.3WD	545	520	1950	51	600	50	30	22	4,4	<1	-	-
CS.195.105.F(.WDFW) Sicherheitsbox F30	1055	520	1950	75+	600	100	30	33	9,0	<2	-	-
	978	455	450	62,5	150	25	-	6	1,6	<1	-	-
CS.110.105(.FD/.WDFW)	1055	520	1105	48	400	100	30	33	4,9	<1	-	-
CS.110.081(.WDFW)	810	520	1105	41	400	60	30	33	3,7	<1	-	-
CS.110.054(.WDFW[R])	545	520	1105	31	400	50	30	22	2,4	<1	-	-
E.195.095(.2) ■ EP.195.095	950	520	1950	52	300	50	-	20	7,1	<1	-	-
E.140.095	950	520	1400	43	300	50	-	20	4,9	<1	-	-
E.195.095.F(2) ■ EP.195.095.F(2) Sicherheitsbox F30	950	500	1950	52+	300	50	-	20	5,0	<5	-	-
	850	450	450	55,5	150	30	-	5,8	1,4	<1	-	-
EM.195.095.F Sicherheitsbox F30	950	500	1950	52+	300	50	-	20	5,0	<5	-	-
	850	450	450	55,5	150	30	-	5,8	1,4	<1	-	-
SL.196.120.MV	1200	605	1970	160	200	-	25	-	-	-	31	<56
SL.196.120.MV.WDC	1200	605	1970	160	200	-	25	-	-	-	31	<56
SL.196.060.MH(.R)	600	605	1970	125	200	-	25	-	-	-	24,6	<40
SL.196.060.MH.WDC	600	605	1970	125	200	-	25	-	-	-	24,6	<40
SL.080.110.UB.2TC	1100	570	800	73	100	-	25	-	-	-	6	<10
SL.080.059.UB.TCR	590	570	800	48	100	-	25	-	-	-	6	<10
SL.060.140.UB	1400	570	600	80	100	-	25	-	-	-	8,8	<10
SL.060.110.UB	1100	570	600	60	100	-	25	-	-	-	8,8	<10
SL.060.059.UB(.R)	590	570	600	40	100	-	25	-	-	-	4,4	<5
GOD.215.135(.WDFW/WDHW)	1350	400	2150	138	600	75	-	-	10,3	<5	-	-
GOD.215.100(.WDFW/WDHW)	1000	400	2150	113	600	75	-	-	7,6	<5	-	-
GOD.215.070(.WDFW[R]/ WDHW[R])	700	400	2150	85	600	75	-	-	5,3	<5	-	-

asecos GmbH
Abt. Kundendienst
Weiherfeldsiedlung 16-18
D-63584 Gründau

Fax: +49 60 51 – 92 20-10

www.asecos.com

Ihr Fachhändler:

Your partner:

Uw partner:

Votre partenaire :

Su distribuidor:

su richiesta: