

Compact Precision Balances

EJ Series

1 mg



EJ-123

120 g × 0.001 g (1 mg)



EJ-303

310 g × 0.001 g (1 mg)

“A newly developed load cell realizes extremely cost-effective precision balances, enabling smooth, stable milligram measurements for a capacity up to 310 g.”

Recommended Especially for Use in Primary, Secondary and Tertiary Education!

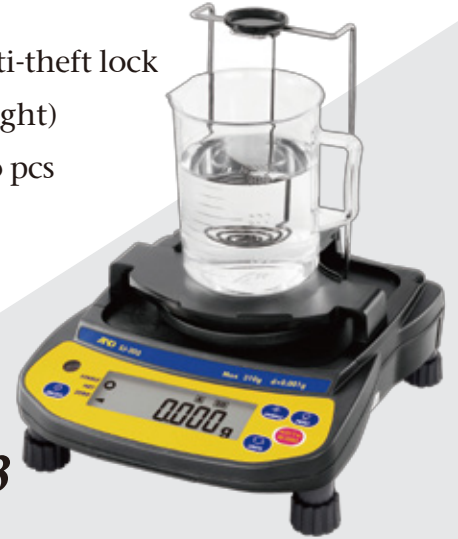
Continued overleaf...



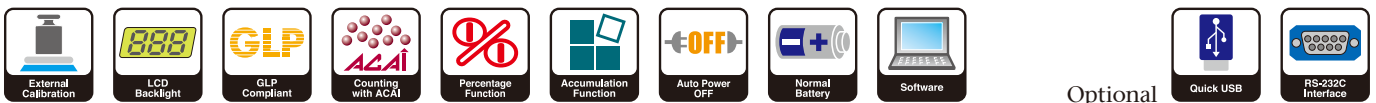
AND ...Clearly a Better Value
A&D Company, Limited

Features

- ✓ Breeze break with anti-static coating to ensure high precision and stability
- ✓ Adjustable response characteristics depending on the degree of drafts and vibrations at the location
- ✓ Hygienic and chemically resistant stainless steel (SUS304) weighing pan
- ✓ Operation with either AC adapter or four AA batteries
- ✓ Security slot in the rear of the balance to accommodate an anti-theft lock
- ✓ Easy-to-read LCD display with backlight (16 mm character height)
- ✓ Multiple weighing units: g, oz, ozt, ct, dwt, gr, N, in addition to pcs (counting mode) and % (percent mode)
- ✓ Display hold, accumulation (M+), auto power OFF functions
- ✓ Automatic density calculation using the optional density determination kit (EJ-13)



EJ-13



Specifications

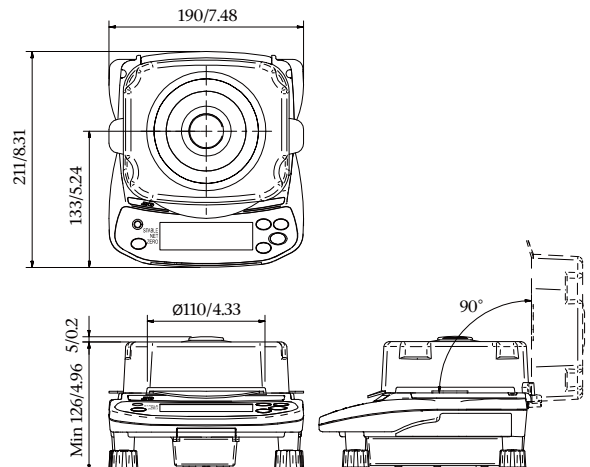
	EJ-123	EJ-303
Weighing capacity	120 g	310 g
Minimum weighing value	0.001 g	
Repeatability (standard deviation)	0.003 g	
Linearity	±0.003 g	
Sensitivity drift	±20 ppm/°C (10 to 30°C/50 to 86°F)	
Counting mode		
Min. unit weight*	0.001 g	
No. of samples	5, 10, 25, 50 or 100 pieces	
Percent mode		
Min. % display	0.01%	
Min. 100% weight	0.1 g	
Operating temperature	10 to 30°C/50 to 86°F, 85% RH or less (no condensation)	
Battery life	Approx. 80 hours (with alkaline batteries, backlight off)	
Weighing pan size	Ø110 mm	
Net weight	Approx. 1160 g	
Calibration weight	100 g	300 g
Standard accessories	Breeze break, AC adapter, Instruction manual	

* Factory setting

Options

- EJ-02 Quick USB interface
- EJ-03 RS-232C interface
- EJ-13 Density determination kit

Dimensions (mm/inches)





WolfLabs

Pricing on any accessories shown can be found by keying the part number into the search box on our website.

The specifications listed in this brochure are subject to change by the manufacturer and therefore cannot be guaranteed to be correct. If there are aspects of the specification that must be guaranteed, please provide these to our sales team so that details can be confirmed.

www.wolflabs.co.uk

Tel : 01759 301142

Fax : 01759 301143

sales@wolflabs.co.uk

Please contact us if this literature doesn't answer all your questions.