



Wolflabs

Wolf Laboratories Limited

www.wolflabs.co.uk

Tel: 01759 301142

Fax:01759 301143

sales@wolflabs.co.uk



If the literature below doesn't answer all your questions, click these links to:

[Request details on an alternative product of the same type](#)

[Request details on accessories](#)

[Request details on other product categories](#)





MILLIPORE

Simplicity[®]

Water Purification system



Ultrapure water
wherever you need it!

ADVANCING LIFE SCIENCE TOGETHER™
Research. Development. Production.

ULTRAPURE WATER WHEREVER YOU NEED IT!

The Simplicity portable water purification system can be located anywhere in your laboratory. It requires no special installation, and produces ultrapure water on demand from pretreated water (Elix® system, distilled, deionized or reverse osmosis water).

Type I ultrapure water for scientists who require < 5 liters per day:

Production of mobile phase for chromatographic separations - Preparation of blanks and standard solutions for spectrophotometry, spectroscopy or other analytical techniques - Preparation of buffers for biochemical experiments

A superior alternative to stored water

Bottled water for laboratory applications may involve ordering, shipping and storage constraints. Moreover, storage of ultrapure water creates risks of degradation by contaminants from containers (plasticizers, ions) and laboratory air (CO₂, solvents, bacteria). Millipore's Simplicity system eliminates these limitations by purifying water on demand.

Ready for use



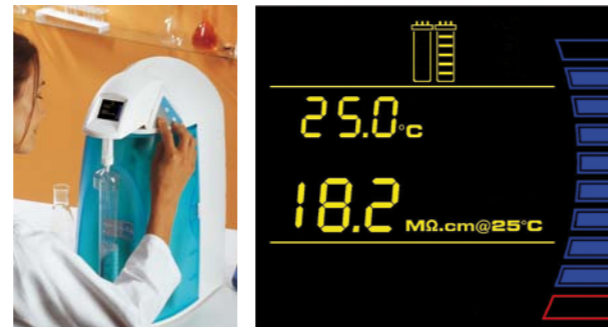
Easy installation

Installing the Simplicity system couldn't be easier – just plug it in, connect the SimpliPak® cartridge, fill the removable reservoir with pre-treated water and you're ready to go!

Saves space

With its integrated reservoir, the Simplicity system is designed to make your work easier. Its small footprint will allow you to find a space for it anywhere in your lab.

Facilitates your work



User-friendly display

The intuitive color graphic display means that you can instantly see all system parameters, whether you want to know the water quality, reservoir level or when to replace the pack.

Dispensing adapted to laboratory glassware

The height and shape of the Simplicity system is designed so that you can fill common laboratory glassware without needing to hold the container.



Information on hand

Should you need fast access to operating information, there is a handy Quick Reference Guide in the system's base pocket.

Easy-to-maintain

The snap-in-and-out design of the single SimpliPak cartridge means that you can change it in a couple of minutes.

Quality solutions



With Millipore's experience in laboratory applications and water purification technologies, you can be sure of guaranteed water quality day after day.

Total control

The advanced, patented, built-in resistivity monitor gives you complete control over system parameters.

Automatic functions

The Simplicity system automatically tells you when to change your purification cartridge. Additionally, when not in use, the system recirculates water to maintain water quality.

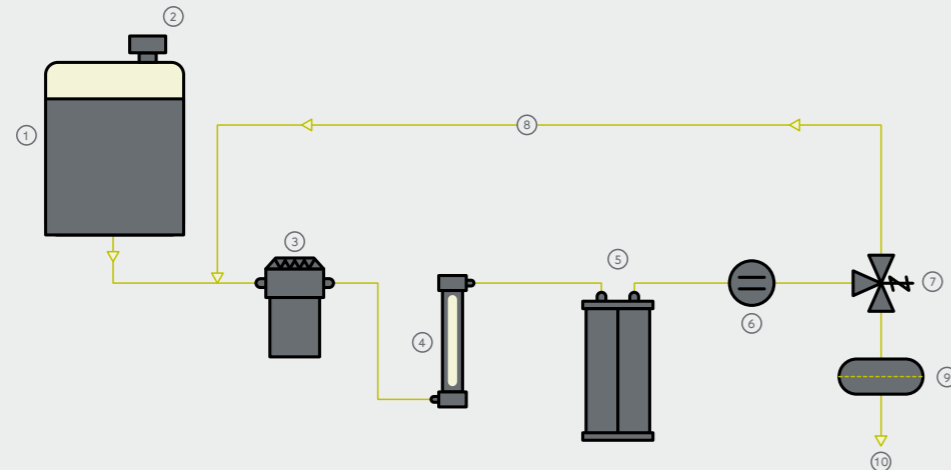
Ultra-low organics option

The Simplicity UV system contains a built-in dual-wavelength UV lamp (185 and 254 nm) to reduce organic contaminants to < 5 ppb in your ultrapure water, making it adequate for your sensitive applications, such as HPLC, GC and TOC analysis.

Final polishers to match your needs

Do your applications require bacteria-free, pyrogen-free or nuclease-free water? A range of filters and cartridges are available for the Simplicity system to match your water requirements.

Flow Schematic



- ① Removable reservoir
- ② Vent filter
- ③ Recirculation pump
- ④ UV lamp (185/254 nm)
- ⑤ SimpliPak
- ⑥ Resistivity cell
- ⑦ Three way solenoid valve
- ⑧ Recirculation loop with check valve
- ⑨ Final polisher
- ⑩ Ultrapure water (Type I) delivery on demand

Specifications

Feed water: Pretreated water (Elix system, RO, distilled or DI water)

Ultrapure (Type I) Product Water Quality*

Simplicity system

Resistivity	18.2 MΩ.cm @ 25 °C
TOC (Simplicity system without 185/254 nm UV lamp)	< 15 ppb
TOC (Simplicity UV system with 185/254 nm UV lamp)	< 5 ppb
Particulates (size > 0.2 μm)**	< 1 Particulate/ml
Microorganisms**	< 0.1 cfu/ml
Endotoxin***	< 0.001 EU /ml
RNase***	< 0.01 ng/ml
DNase***	< 4 pg/μl
Flow rate (with SimFilter™ membrane filter or BioPak® ultrafiltration cartridge as final polisher)	> 0.5 l/min

* In regular operating conditions

** With SimFilter (0.05 μm) end filter or with BioPak ultrafiltration cartridge as final polisher

*** Only with BioPak ultrafiltration cartridge as final polisher

System

Dimensions (H x W x D)	51 x 29 x 36 cm (20.1 x 11.4 x 14.2 in)
Net weight (Simplicity system without 185/254 nm UV lamp)	4.9 kg (10.8 lb)
Net weight (Simplicity UV system with 185/254 nm UV lamp)	5.4 kg (11.9 lb)
Operating weight (Simplicity system without 185/254 nm UV lamp)	8.4 kg (18.4 lb)
Operating weight (Simplicity UV system with 185/254 nm UV lamp)	9 kg (19.8 lb)
Built-in removable reservoir volume	2 l
Electrical feed Voltage	100 - 230 V +/- 10 %
Electrical feed Frequency	50 - 60 Hz