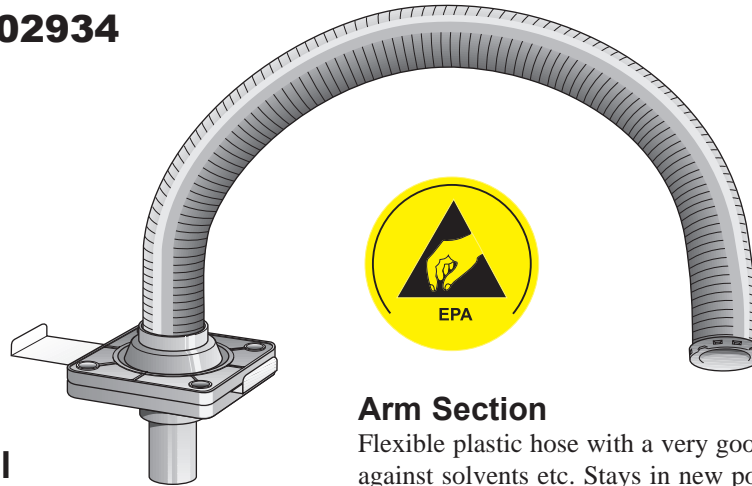


TECHNICAL DESCRIPTION

MINIARM FX 32 ESD

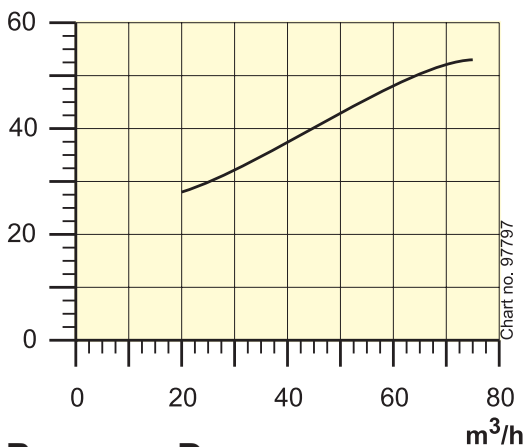
Part. No 502934



Sound Level

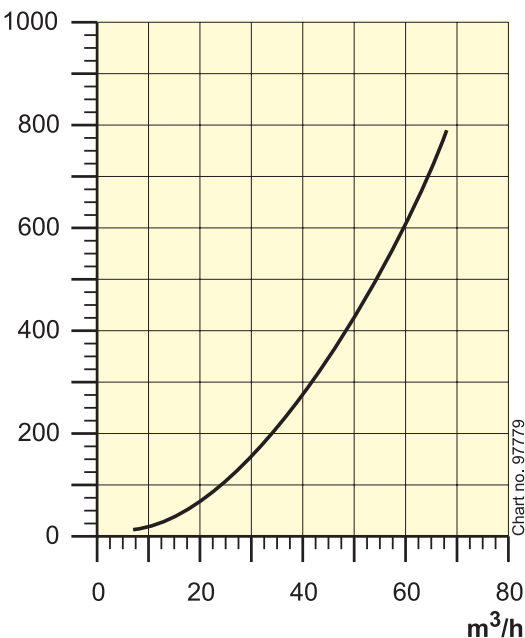
Distance to measuring point = 1m

dB(A)



Pressure Drops

Pa



Arm Section

Flexible plastic hose with a very good resistancy against solvents etc. Stays in new position when adjusted. ESD safe. Approved by the Swedish National Testing and Research Institute (SP).

Swivel

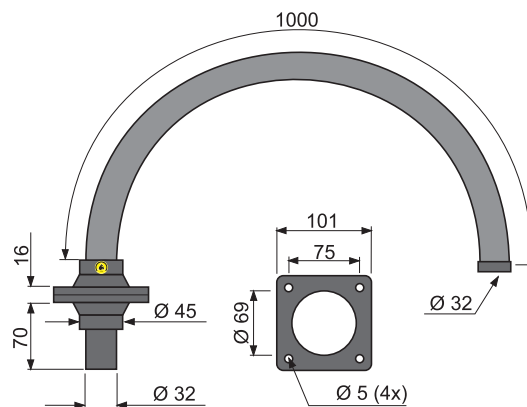
Swivel with 360 degree rotation. This means, connected ductwork remains firm and does not rotate with the arm.

Accessories

Extraction hood, Dome shaped hood, Flange hood, Lamp kit, Brackets.

Mounting

Mounting directly in bench surface or with accessory brackets. Can be mounted both standing and hanging.



FACTS	
Material	
Arm section	ABS, Conductive
Damper	Stainless steel
Washer, Bolt,	Steel
Swivel, Nozzle	Acetal
Surface treatment	
Washer, Bolt, Spring	Electrolytic galvanizing
Air Temperature	-15 - +90 degrees C

MINIARM FX 32