

Ziegra Ice Machines

(UK) Ltd



Technical Datasheet: ZBE375 Tropical

3.99 GC

The ice machine is a plug in unit and requires only connection to water and mains power supply. It is continuously rated and works fully automatically. No moving parts in the refrigeration circuit of the evaporator, hence no leakage due to rotating parts in the refrigeration system.

Outputs are guaranteed at 35°C air and 25°C water temperatures

Cabinet: Stainless Steel (304)
Water consumption: According to production (no waste)
Refrigerant: R404A – 1.2kg



Ice production/24hrs: 350kg
Evaporation temperature: -18°C
Condenser:
Standard: Air-cooled, air volume: 1,400 m³ / hour
On request: water cooling. 160litre / hour

Electrical data

Voltage 400-3-50Hz
Control Voltage 240-1-50Hz
Power consumption 1.6kW
Current consumption 3.7A

Evaporator: ZBE350

Heat emission: 2.6kW

Noise Level: 55dBA – 3m

All necessary parts for operation and safety of the machine are included, as eg.:

Water pressure switch: Cuts out the refrigeration unit in case of water shortage. Automatic re-start.

Ice bin thermostat: Switches machine off, when the ice bin is full. Automatic re-start.

On request: Additional hygiene by automatic water drain, when ice production stops.

Ice storage Options: B100 - 100kg ice storage unit
St.stl. inside and out B200 - 200kg ice storage unit
50mm PU insulation B400 – 400kg ice storage unit



The ice machine meets the regulations of VDE and the German employers liability insurance association as well as the EC engineering recommendations.



Ziegra Ice Machines

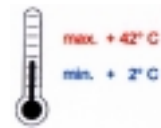
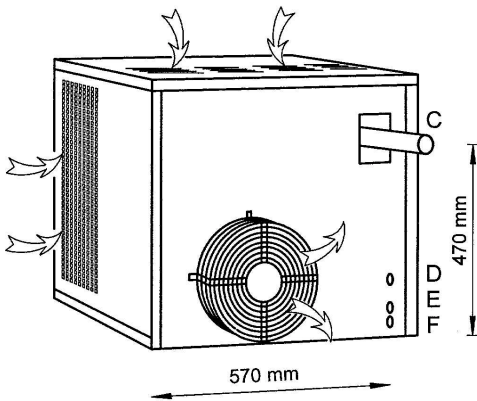
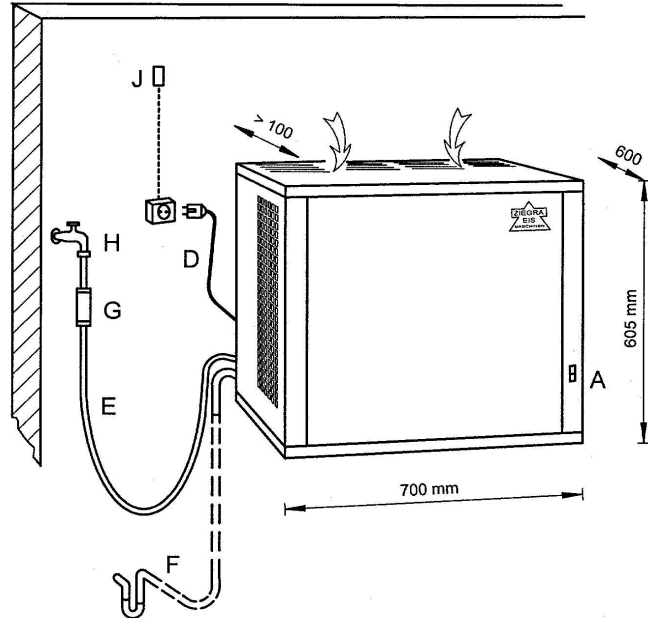
(UK) Ltd



Technical Datasheet: ZBE375 Tropical

3.99 GC

MACHINE ONLY



- A: operating switch
- C: ice hose
- D: electric cable/plug 400-3-50Hz 2 m
- E: water connection 1-6 bar 3/4" 2 m
- F: overflow 14 mm ø 2 m

install on site:

- G: filter
- H: stop valve
- J: fuses 16 A – slow
- cable cross section 1,5 mm² Cu

Weight: 90kg

Ziegra Ice Machines

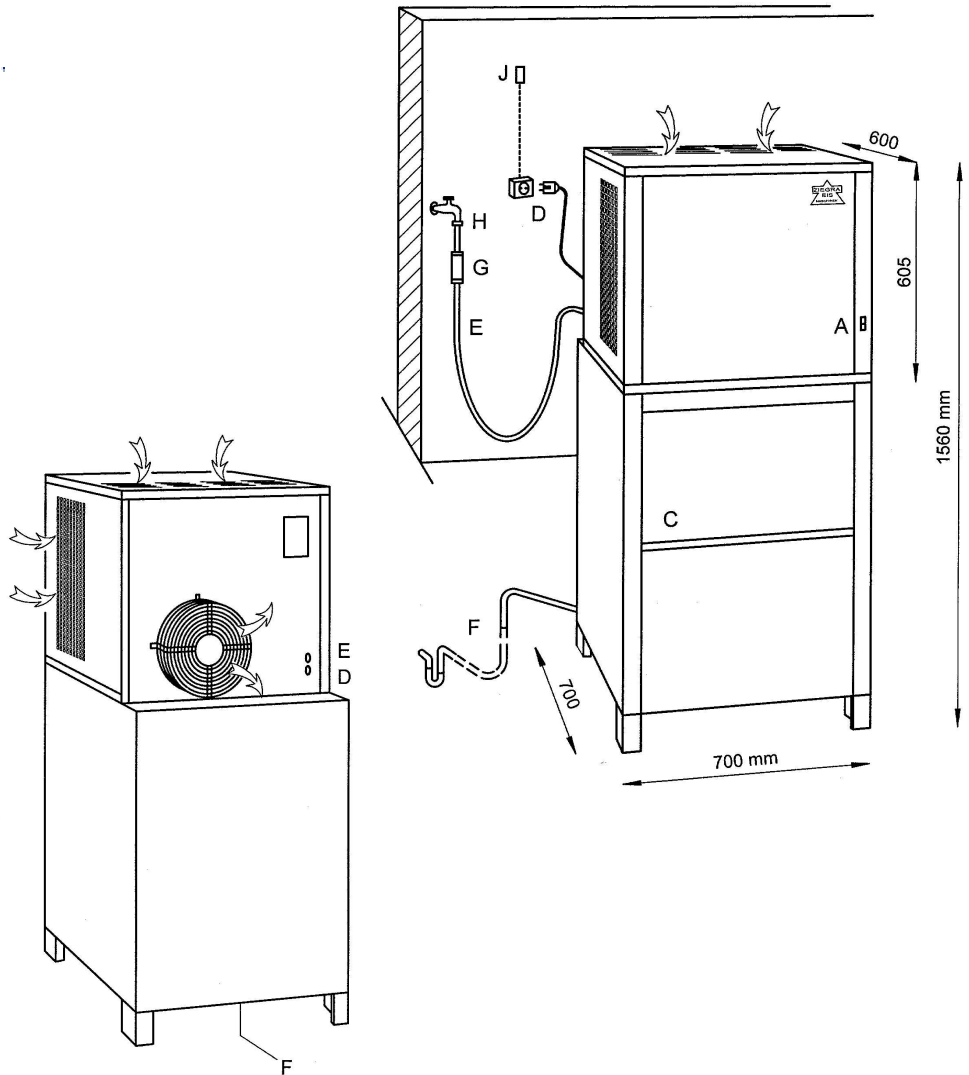
(UK) Ltd



Technical Datasheet: ZBE375 Tropical

3.99 GC

WITH 100 KG STORAGE



- A: operating switch
- C: access ice storage
- D: water connection
- E: electric cable/plug
- F: melt-water drain

1-6 bar 3/4" 2m
 400V-3-50Hz 2m
 14 mm ø 2m

install on site:

- G: filter
 - H: stop valve
 - J: fuses
 - cable cross section
- 16 A – slow
 1,5 mm² Cu

weights: ZBE350-100 150kg

Ziegra Ice Machines

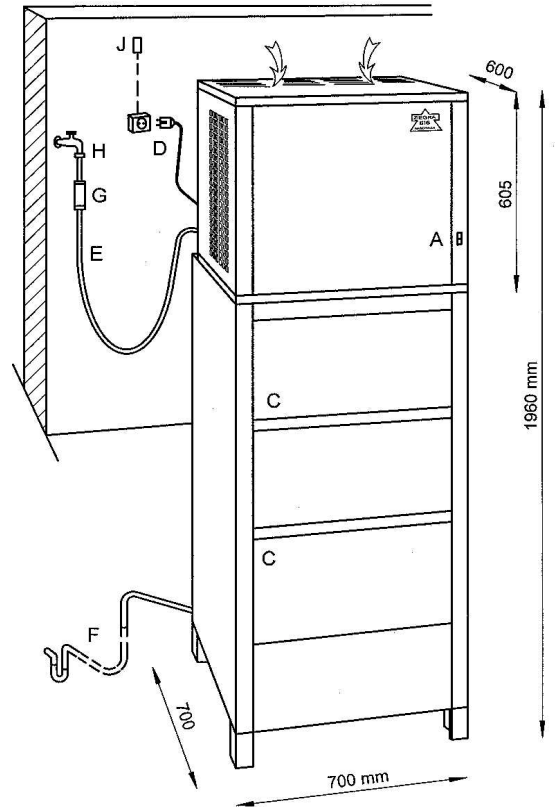
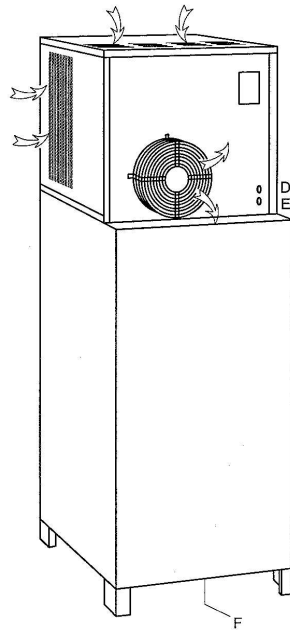
(UK) Ltd



Technical Datasheet: ZBE375 Tropical

3.99 GC

WITH 200KG STORAGE



- A: operating switch
- C: access ice storage
- D: water connection
- E: electric cable/plug
- F: melt-water drain

1-6 bar 3/4" 2m
 400V-3-50Hz 2m
 14 mm ø 2m

install on site:

- G: filter
- H: stop valve
- J: fuses 16 A – slow
 cable cross section 1,5 mm² Cu

weights: ZBE350-200 165 kg

Ziegra Ice Machines

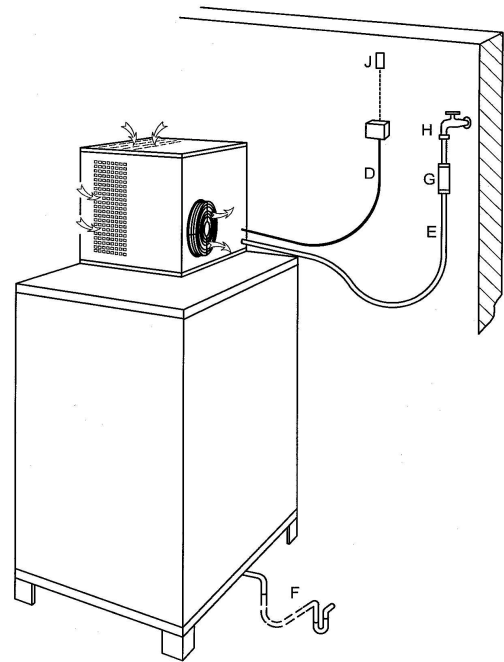
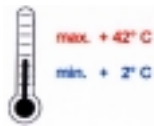
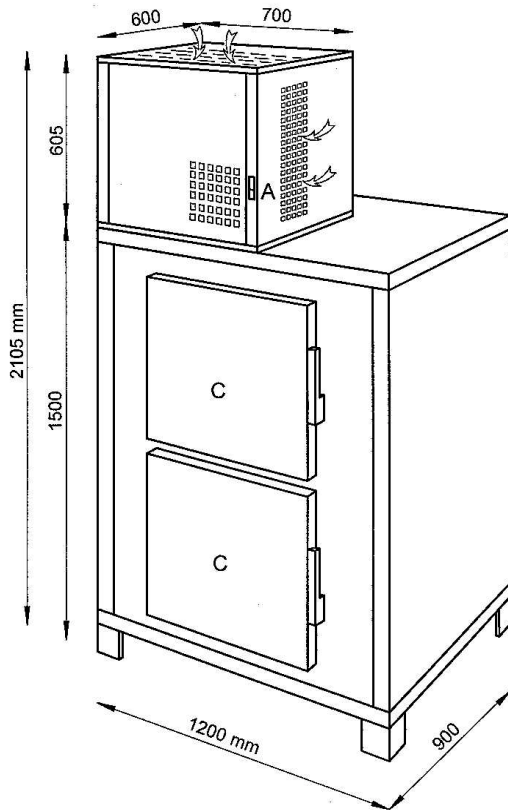
(UK) Ltd



Technical Datasheet: ZBE375 Tropical

3.99 GC

WITH 400KG STORAGE



- A: operating switch
- C: ice hose
- D: electric connection 400-3-50Hz 2m
- E: water connection 1-6 bar 3/4" 2m
- F: melt- water drain 14 mm ø 2m

install on site:

- G: filter
- H: stop valve
- J: fuses 16 A – slow
- cable cross section 1,5 mm² Cu

weights: ZBE350-400 310 kg