

Ziegra Ice Machines

(UK) Ltd



Technical Datasheet: ZBE150, ZBE250 and ZBE350

4.01 GC

The ice machine is a plug in unit and requires only connection to water and mains power supply. It is continuously rated and works fully automatically. No moving parts in the refrigeration circuit of the evaporator, hence no leakage due to rotating parts in the refrigeration system.



Outputs are guaranteed at 20°C air and 15°C water temperatures

Cabinet: Stainless Steel (304)
Water consumption: According to production (no waste)
Refrigerant: R404A – 1.2kg

| | ZBE150 | ZBE250 | ZBE350 |
|------------------------------------|---------------------------|---------------------------|-----------------------------|
| Ice production/24hrs: | 150kg | 250kg | 350kg |
| Evaporation temperature: | -12°C | -17°C | -18°C |
| Condenser: | | | |
| Standard: Air-cooled, air volume: | 440 m ³ / hour | 830 m ³ / hour | 1,400 m ³ / hour |
| On request: water cooling. | 70 litre / hour | 110litre / hour | 160litre / hour |
| Electrical data (standard): | | | |
| Voltage | 240-1-50Hz | 240-1-50Hz | 240-1-50Hz |
| Control Voltage | 240-1-50Hz | 240-1-50Hz | 240-1-50Hz |
| Power consumption | 0.7kW | 1.1kW | 1.6kW |
| Current consumption | 4.6 A | 5.3 A | 7.3 A |
| Electrical data (3 phase) | | | |
| Voltage | NA | NA | 400-3-50Hz |
| Power consumption | NA | NA | 1.6kW |
| Current consumption | NA | NA | 3.7A |
| Evaporator: | ZBE150 | ZBE250 | ZBE350 |
| Heat emission: | 1.3kW | 2.1kW | 2.6kW |
| Noise Level: | 50dBA – 3m | 51dBA – 3m | 55dBA – 3m |

All necessary parts for operation and safety of the machine are included, as eg.:

Water pressure switch: Cuts out the refrigeration unit in case of water shortage. Automatic re-start.

Ice bin thermostat: Switches machine off, when the ice bin is full. Automatic re-start.

On request: Additional hygiene by automatic water drain, when ice production stops.

Ice storage Options:
 B100 - 100kg ice storage unit
 St.stl. inside and out
 50mm PU insulation
 B200 - 200kg ice storage unit
 B400 – 400kg ice storage unit



The ice machine meets the regulations of VDE and the German employers liability insurance association as well as the EC engineering recommendations.



Unit 14, Enterprise Centre No.2, Chestergate, Stockport, Cheshire SK3 0BR
 Tel: 0161 429 0525 Fax: 0161 480 7927 Email: ice@ziegra.co.uk Web: www.ziegra.co.uk

Ziegra Ice Machines

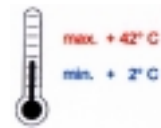
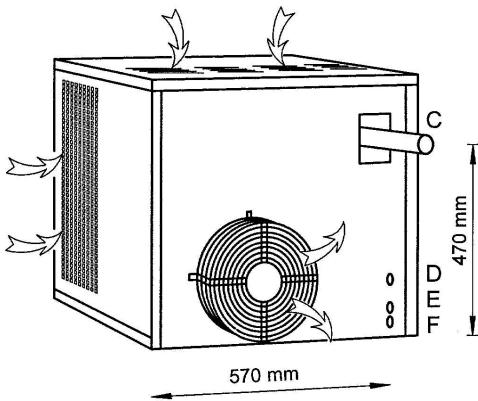
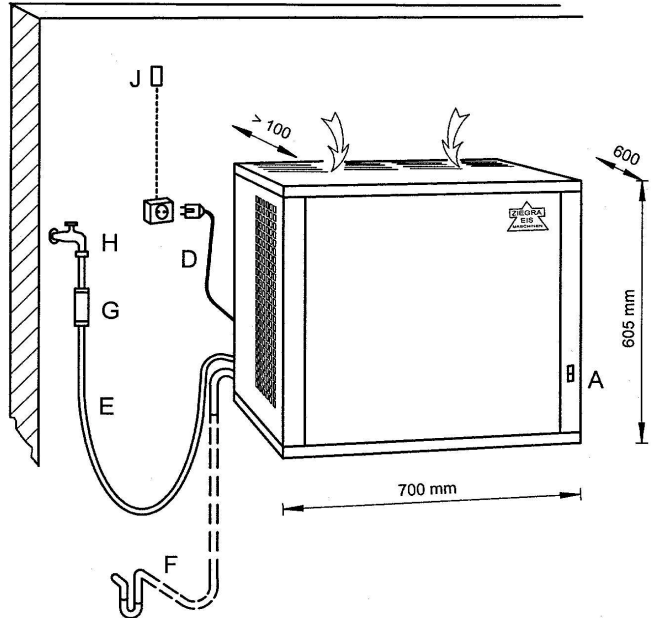
(UK) Ltd



Technical Datasheet: ZBE150, ZBE250 and ZBE350

4.01 GC

MACHINE ONLY



- A: operating switch
- C: ice hose
- D: electric cable/plug
- E: water connection
- F: overflow

230V-1-50 Hz 2 m (400-3-50Hz on request ZBE 350 only)
 1-6 bar 3/4" 2 m
 14 mm ø 2 m

install on site:

- G: filter
- H: stop valve
- J: fuses
 cable cross section 16 A – slow
 1,5 mm² Cu

Weights:

| | |
|--------|------|
| ZBE150 | 70kg |
| ZBE250 | 80kg |
| ZBE350 | 90kg |

Ziegra Ice Machines

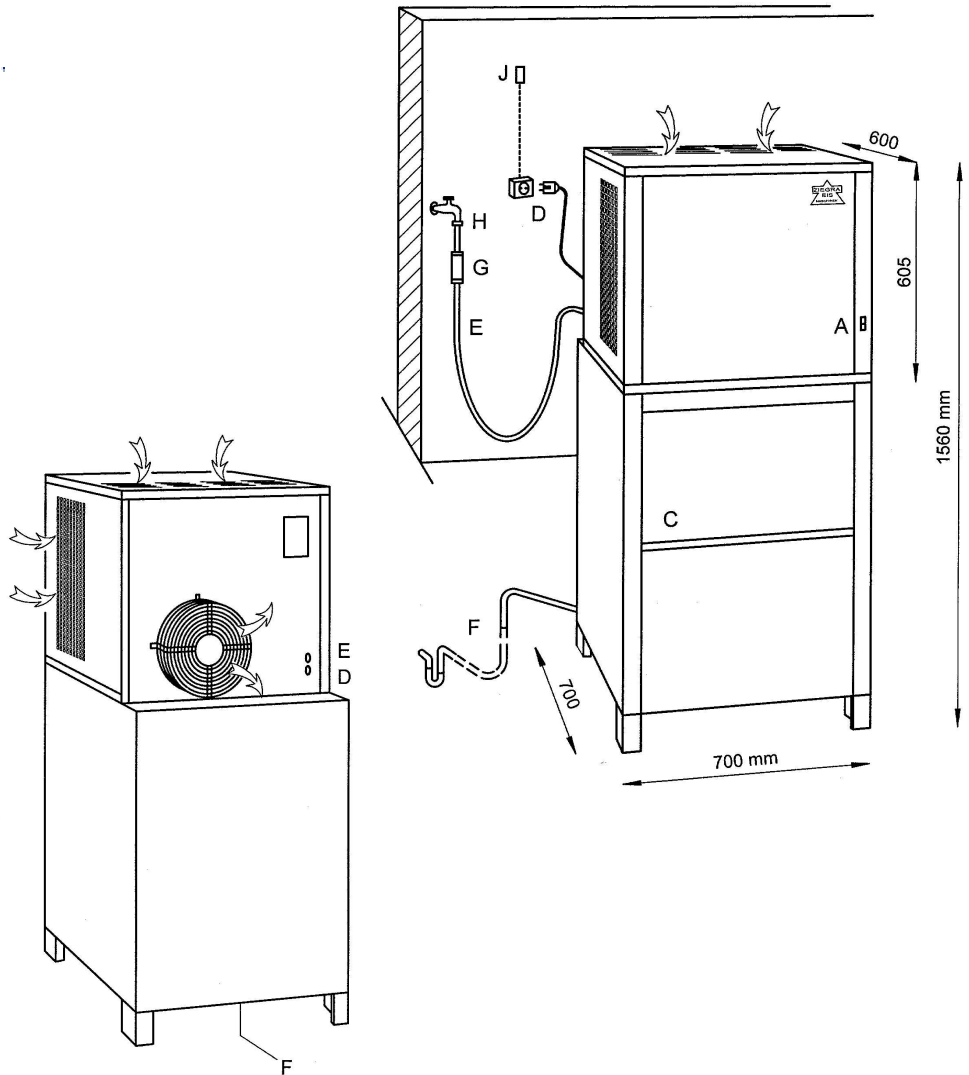
(UK) Ltd



Technical Datasheet: ZBE150, ZBE250 and ZBE350

4.01 GC

WITH 100 KG STORAGE



- A: operating switch
- C: access ice storage
- D: water connection
- E: electric cable/plug
- F: melt-water drain

1-6 bar 3/4" 2m
 230V-1-50 Hz 2m (400V-3-50Hz on request ZBE 350 only)
 14 mm ø 2m

install on site:

- G: filter
 - H: stop valve
 - J: fuses
 - cable cross section
- 16 A – slow
 1,5 mm² Cu

weights:

| | |
|------------|-------|
| ZBE150-100 | 130kg |
| ZBE250-100 | 140kg |
| ZBE350-100 | 150kg |

Ziegra Ice Machines

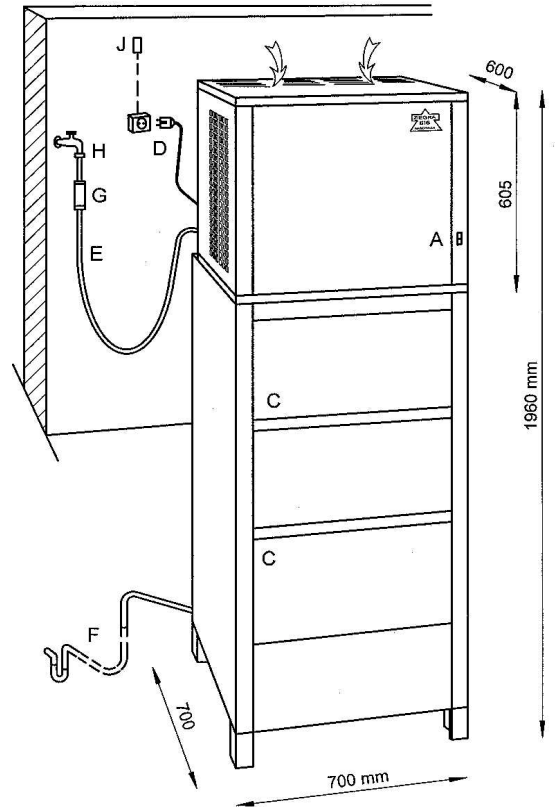
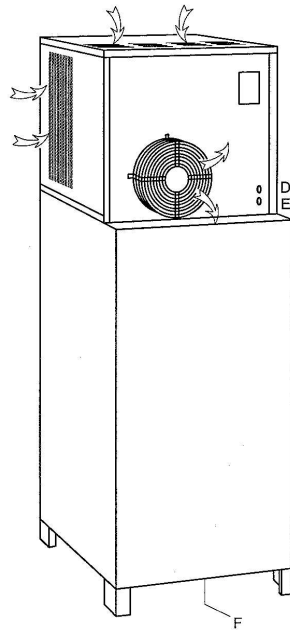
(UK) Ltd



Technical Datasheet: ZBE150, ZBE250 and ZBE350

4.01 GC

WITH 200KG STORAGE



- A: operating switch
- C: access ice storage
- D: water connection
- E: electric cable/plug
- F: melt-water drain

1-6 bar 3/4" 2m
230V-1-50 Hz 2m (400V-3-50Hz on request ZBE 350 only)
14 mm ø 2m

install on site:

- G: filter
- H: stop valve
- J: fuses 16 A – slow
cable cross section 1,5 mm² Cu

weights:

ZBE150-200 145 kg
ZBE250-200 155 kg
ZBE350-200 165 kg

Ziegra Ice Machines

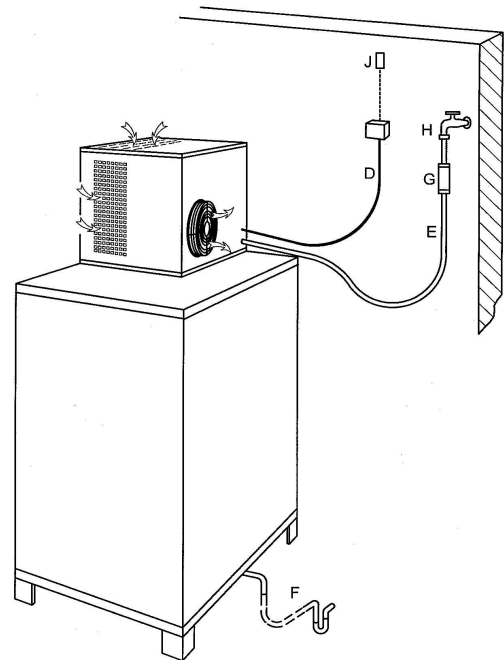
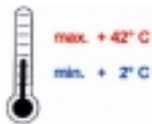
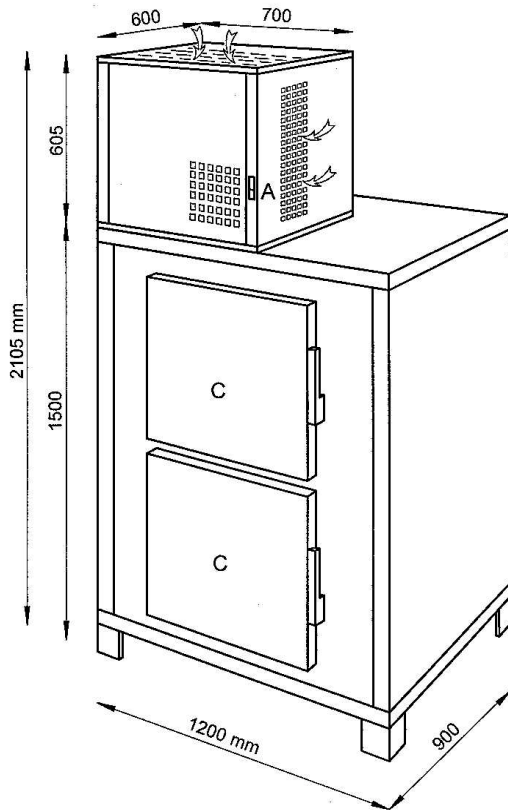
(UK) Ltd



Technical Datasheet: ZBE150, ZBE250 and ZBE350

4.01 GC

WITH 400KG STORAGE



- A: operating switch
- C: ice hose
- D: electric connection
- E: water connection
- F: melt- water drain

240V-1-50 Hz 2m (400-3-50Hz on request, ZBE 350 only)
1-6 bar 3/4" 2m
14 mm ø 2m

install on site:

- G: filter
- H: stop valve
- J: fuses 16 A – slow
cable cross section 1,5 mm² Cu

weights:

| | |
|------------|--------|
| ZBE150-400 | 290 kg |
| ZBE250-400 | 300 kg |
| ZBE350-400 | 310 kg |