

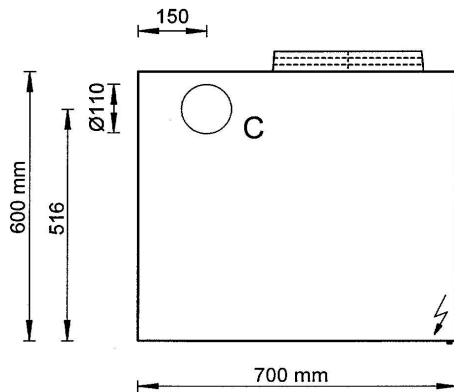
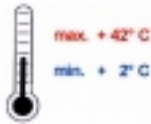
# Ziegra Ice Machines

(UK) Ltd

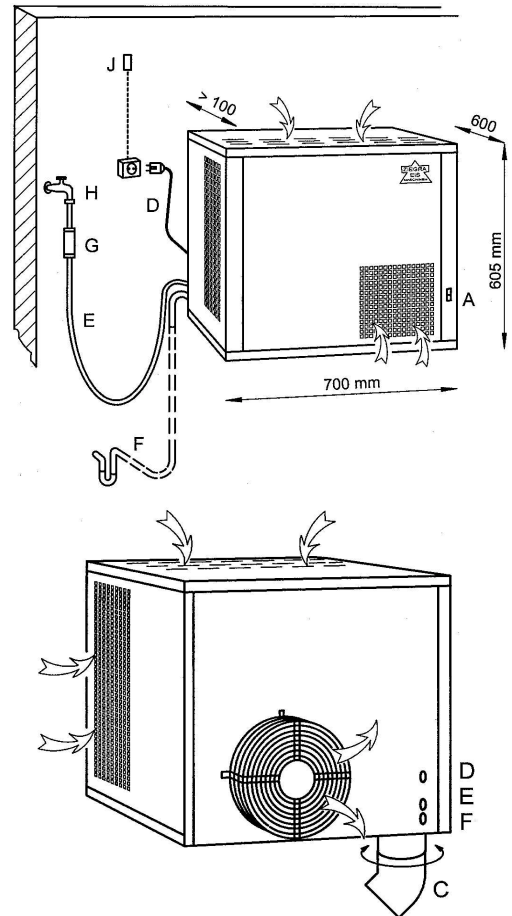


## Technical Datasheet: ZBE 150,250 and 350

### 'B' type bottom ice discharge



Plan view



- A: operating switch
- C: ice hose
- D: electric connection                      230V-1-50 Hz (400V-3-50Hz on request ZBE 350 only)
- E: water connection                         1-6 bar 3/4" 2 m
- F: overflow                                      14 mm ø 2 m

#### install on site:

- G: filter
- H: stop valve
- J: fuses                                         16 A – slow
- cable cross section                         1,5 mm<sup>2</sup> Cu

#### weights:

ZBE 150	70kg
ZBE 250	80kg
ZBE 350	90kg