

NETWORK VACUUM PUMPING UNITS PC 500 LAN AND PC 600 LAN



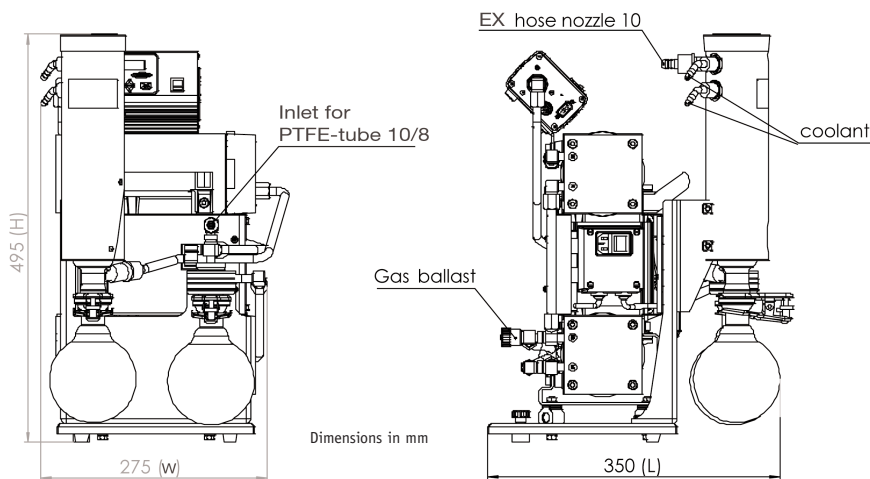
The network chemistry vacuum pumping units are especially designed for use in vacuum local area networks e. g. VACUU·LAN®. They turn on and off automatically according to the vacuum demand. Switch points are user-settable.



PC 500 LAN

SPECIAL ADVANTAGES

- chemistry diaphragm pump with high chemical resistant materials
- oil free vacuum down to ~ 2 and ~ 9 mbar resp.
- high performance even at low vacuum
- gas ballast valve as standard for working with condensable vapours
- simple use of vacuum controller with digital display
- solvent recovery next to 100%
- high lifetime, easy to change diaphragms and valves
- minimal energy consumption due to automatic pump management
- low noise level
- compact design



PC 600 LAN

Dimensions in mm

TECHNICAL DATA

		PC 500 LAN	PC 600 LAN
Vacuum pump		chemistry diaphragm pump MZ 2C	chemistry diaphragm pump MD 4C
Pumping speed (DIN 28432) 50/60 Hz	m ³ /h//cfm	1.7/2.0//1.2	3.0/3.5 (max.)//2.1
Ultimate vacuum (total)	mbar//Torr	9//6.8	2//1.5
Ultimate vacuum with gas ballast	mbar//Torr	15//11	9//11
Inlet connection (IN)		for PTFE hose NW 10/8	for PTFE hose NW 10/8
Outlet connection (EX)		hose nozzle NW 10	hose nozzle NW 10
Cooling water		2 x hose nozzle NW 6	2 x hose nozzle NW 6
Vacuum controller (see page 127)		VNC 1	VNC 1
Dimensions (L x W x H)	mm	350 x 260 x 495	350 x 275 x 495
Mass approx.	kg	14.8	20.9

Items supplied: Chemistry vacuum pumping unit with chemistry diaphragm pump on pump support, catchpot inlet side with safety coating, outlet emission condenser with collecting flask, vacuum controller VNC 1, on/off switch, cable, plug and instructions for use.

ORDERING INFORMATION

		PC 500 LAN	PC 600 LAN
230 V ~ 50-60 Hz	plug CEE	68 81 40	68 81 60
230 V ~ 50-60 Hz	plug CH	68 81 41	68 81 61
230 V ~ 50-60 Hz	plug UK	68 81 42	68 81 62

ACCESSORIES

Cooling water valve 24V=, G 3/4", G 1/2", hose nozzle NW 6	67 60 13
PTFE hose NW 10/8 mm, price per metre	63 86 44

PC 500 LAN two stage

.....	1.7 m ³ /h
.....	1.2 cfm
.....	33 l/min
.....	9 mbar
.....	6.8 Torr

PC 600 LAN three stage

.....	3.0 m ³ /h
.....	2.1 cfm
.....	58 l/min
.....	2 mbar
.....	1.5 Torr



PC 600 LAN