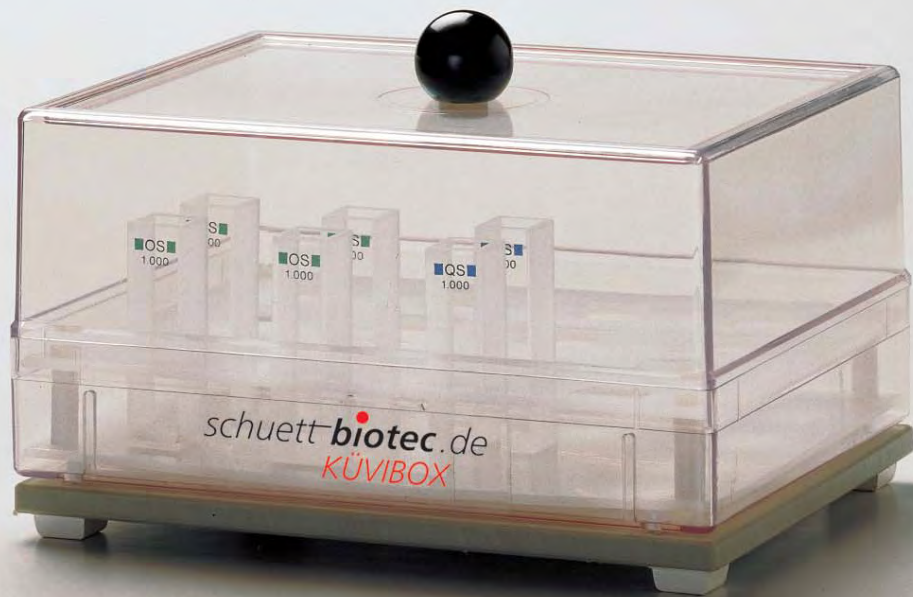


Cuvettes

Small Vessel Rinsers and Storage Container



VAKUWASCH

VAKUWASCH Cuvette and small vessel rinser



- **cleans and dries glass vessels within seconds**
- **easy handling**

VAKUWASCH simply solves the problem of cleaning or drying used glass vessels within seconds.

This procedure saves time and increases the accuracy of measuring, e.g. with cuvettes.

VAKUWASCH cleans and dries vessels or cuvettes in one step. This cleaning method avoids cullets or damage.

VAKUWASCH is made of polyethylene is practically unbreakable. The device is resistant to all detergents and solvents of daily use.

To operate VAKUWASCH all you need is a vacuum flask (with rubber stopper with bore hole and a vacuum tube) and a low vacuum.

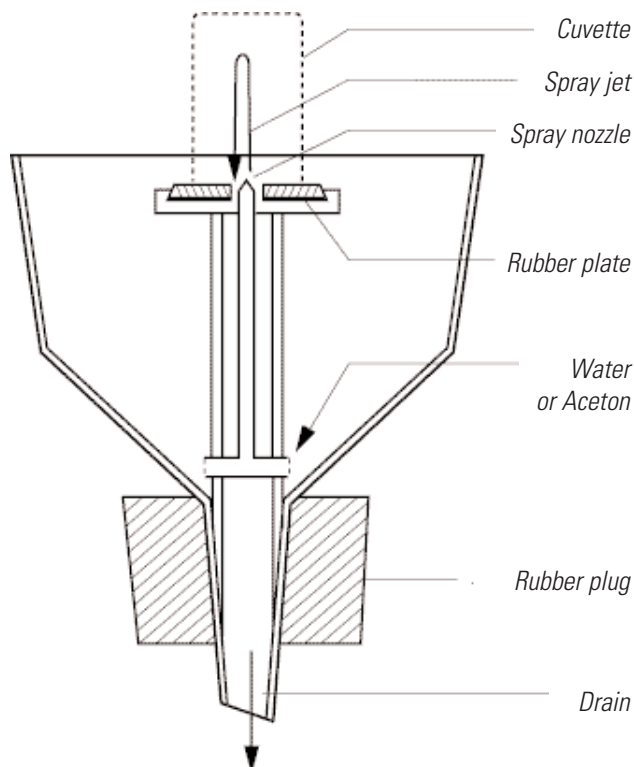
The content of the cuvette and the rinsing water are transported into the vacuum bottle which is very advantageous when using radioactive materials or toxic substances.

The funnel of the VAKUWASCH provides in its centre a plunger with a rubber plate and a central nozzle.

Put the vessel to be cleaned with its opening onto the rubber plate and hold it there. After connecting the vacuum, pour approx. 10 ml of distilled water into the funnel. Immediately, a heavy jet of water will shoot against the vessel's bottom and drain next to the nozzle.

Naturally, you may use detergents or other cleaning agents as well.

After draining of the water, insert few drops of acetone into the funnel. By carefully pressing the vessel's bottom, a vacuum creates a sharp air stream, which dries the vessel within seconds.



KÜVIBOX

KÜVIBOX
Cuvette storage container



- protects from dust and breaking
- readily available on your working place

KÜVIBOX was designed for storage and protection from dust and breaking of cleaned cuvettes at your working place.

KÜVIBOX is available in 2 different transparent styles.



Technical Data/Ordering Information

	Cat.-No.
VAKUWASCH	3.681 002
Rubber stopper with bore-hole	3.681 102
Additional device for rinsing pycnometer	3.681 202
Vacuum flask, DURAN™, 500 ml	3.681 302
Vacuum tubing (per meter)	3.681 402
KÜVIBOX 1	3.682 103
for 16 cuvettes with 10 mm path length, up to 55 mm height	
KÜVIBOX 2	3.682 223
for 8 cuvettes with 10 mm path length, up to 55 mm height and for 4 cuvettes with 20 mm path length, up to 55 mm height	

schuett **biotec**.de

Rudolf-Wissell-Straße 13, D-37079 Göttingen, Germany

Fon +49 (0) 551/5 04 10-0, Fax +49 (0) 551/5 04 10-99

info@schuett-biotec.de

www.schuett-biotec.de