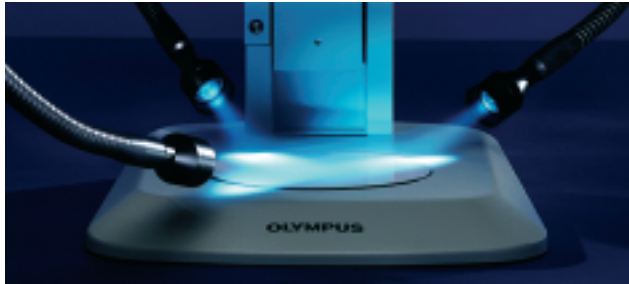


Whatever you want – we can supply

An advanced range of self-supporting gas spring, bonder and focusing arms, universal stands and table clamps means that the SZ2 microscopes can be firmly positioned precisely where you need them.

Wide illumination choices include a thin LED transmitted lighting plate, stand-mountable light guides, special power saving and long life light sources, and coaxial reflected sources. Multi-segment LED illumination can be software controlled for adjustable oblique illumination.



What do you want to do?

High resolution, anti-static coatings, long working distance and image recording capabilities are ideal for electronics quality control applications.

Sharp, bright images, fluorescence and oblique illumination, and extended zoom range make the SZ2 a valuable tool for life sciences.

OLYMPUS

Your Vision, Our Future

SZ2 Series Stereo Microscopes

SZ2

SZ51 – SZ61 – SZX7



Comfort for your eyes
– precision for your work



www.olympus-europa.com

OLYMPUS

OLYMPUS EUROPA GMBH

Wendenstraße 14-18, D-20097 Hamburg
Phone: +49 40 23 77 30
Fax: +49 40 23 77 36 47
E-mail: microscopy@olympus-europa.com

Art.code: EO430240 · Printed in Germany 09/03

SZ51

Excellent performance
for routine stereo microscopy



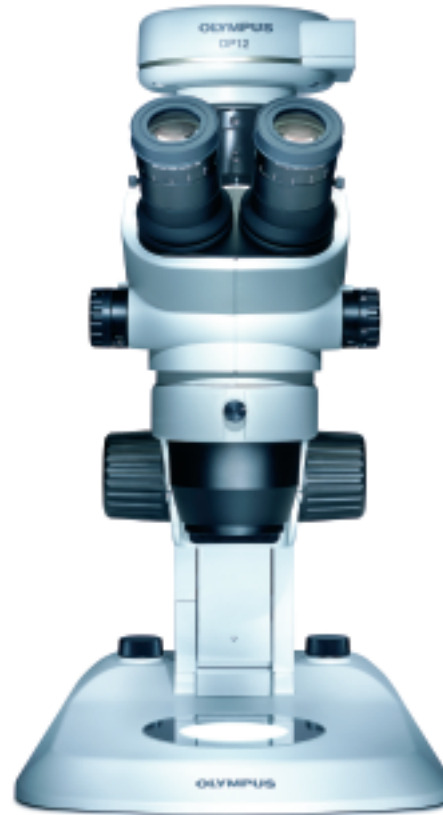
- 5:1 zoom ratio with a zoom magnification range of 0.8x to 4.0x
- Targeted to OEM and education
- Excellent price-performance ratio

Optics (SZ51 / SZ61)

- ComfortView eyepieces
- The best zoom ratios in their class
- Sharp, bright and high contrast optics
- Excellent image flatness with deep depth of focus
- Choice of auxiliary objectives with working distance up to 400 mm
- A choice of 45° and 60° tube inclination models for comfortable viewing

SZ61

Top zoom performance
with image recording



- Imaging and documentation capability with a trinocular head for camera output (SZ61-TR)
- Extended 6.7:1 zoom ratio with a zoom magnification range of 0.67x to 4.5x

Other features (SZ51 / SZ61)

- Unique LED integrated reflected/transmitted illumination stand
- Wide variety of lighting systems, stands and accessories
- Zoom stopper
- ESD safety design due to special materials and surface coatings
- Choice of auxiliary objectives with working distance up to 400 mm

SZX7

Flexible modular system
with highest resolution



- ComfortView eyepieces
- Best resolving power in this class. Superior image quality is ensured up to 336x
- Outstanding 7:1 zoom ratio with a zoom magnification range of 0.8x to 5.6x
- Tilting head gives greater comfort (SZX-TBI)
- Observation methods including GFP fluorescence and oblique illumination
- Motorised focus with PC connection and control (SZX-FOA)
- Front zoom handle with zoom click feature