



MB35



MB45

# MB Series

## Moisture Analysers

From basic to advanced, the Ohaus MB Series of moisture analysers offer superior performance and great value.

Standard features include:

- Fast halogen heating element provides uniform infrared heating and durability for extended use
- Superior analytical weighing performance with readability up to 0.001 g, 0.01% moisture
- Powerful software for simple operation
- Compact size, suitable for in-process testing and uses minimum space requirements in laboratory applications
- Large backlit 128 x 64 pixel LCD display for easy viewing
- GLP compliant format when printed results are required
- Standard RS232 port for easy communication with printer or computer
- Multi-language display text (English, Spanish, French, Italian, German)

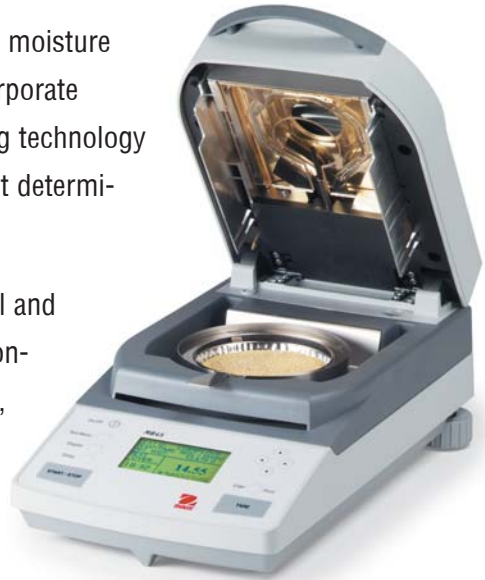
# MB Series Moisture Analysers

**Ohaus, the leader in value priced reliable compact moisture analysers.**

Designed to quickly, effectively and affordably measure moisture content, the Ohaus MB Series Moisture Analysers incorporate state-of-the-art halogen heating with precision weighing technology to give a fast and accurate method for moisture content determination.

Perfect for applications in the pharmaceutical, chemical and research industries; versatile and rugged enough for continuous operation in food and beverage, quality control, environmental and many other applications. The MB Series Moisture Analysers feature excellent repeatability properties for consistent accuracy during testing.

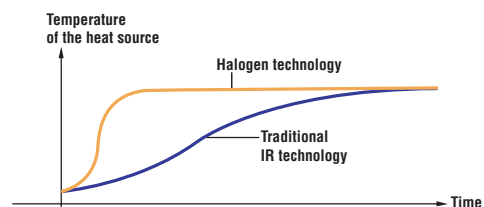
The MB Series is manufactured to ISO 9001 quality assurance specifications, for traditional Ohaus quality.



## Heating at Light Speed

Infrared halogen heating technology begins the sample drying process in seconds. The uniquely designed gold reflective interior test area creates uniform distribution of heat to increase performance while decreasing test time.

- Precision Heating – temperature settings are incrementally controlled by the software for test accuracy
- Lighting Startup – test area reaches full temperature in less than 1 minute
- Rapid Results – infrared halogen heating performs up to 40% faster than traditional infrared methods
- Easy Temperature Calibration with optional kit

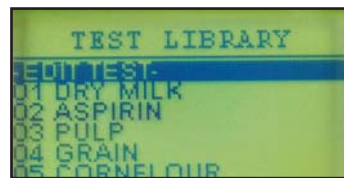


## Ohaus MB45. The Advanced Moisture Analyser.

For Maximum Value, the MB45 is the standard in high performance moisture content determination. The MB45 features a sample capacity of 45 g, with a readability of 0.001 g and repeatability to 0.015 % (using 10 g sample). An integrated database stores up to 50 drying procedures for maximizing productivity, simply recall the test from memory and begin.



Display shows % moisture, % solids, weight, time, temperature, drying curve and more.



Test Library to Store, Edit and Run Tests

- Four selectable automatic drying programs allow for easy one step drying, simply set the temperature and time, and begin
- Four enhanced heating options
- Statistical function for simple tracking and recording of standard deviation over time. The MB45 does all the calculations and provides the end result. Great for Quality Control and Assurance applications
- Operating temperature range from 50° to 200 °C in 1° increments

- Powerful – program and recall up to 50 drying procedures.
- Easy – once programmed, simply select and run test.
- Flexible – allows simple test editing to find best results.

## Optimum Performance

### Unique Auto Shut-Off Options

- Choice of three preprogrammed end points for automatic test completion.
- Custom design your own test end point criteria.
- Timed tests with audible signal when finished.

### Enhanced Heating Options

- Fast – for quickest possible time to temperature.
- Standard – for minimal overshoot while achieving temperatures quickly.
- Ramp – for controlled ramping to temperatures.
- Step – set three temperatures for difficult samples.

## Ohaus MB35. The Basic Moisture Analyser.

The MB35 is the basic model for moisture determination, leading the industry in performance/value. The MB35 features a maximum sample capacity of 35 g, with a readability of 0.001 g and repeatability to 0.03 % (10 g sample).

- Intuitive software
- Simple 3 key navigation
- Straightforward one step testing procedure
- LCD display shows % moisture, actual weight, actual temperature and test time
- Operating temperature range from 50 to 160 °C in 5° increments



# MB Series Moisture Analysers

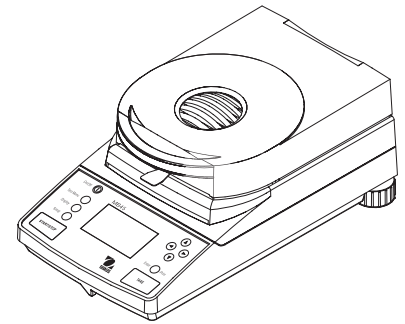
## MB Series Specifications

Capacity (g)	45	35
Readability (g)	0.01%/0.001g	0.01%/0.001g
Repeatability (Std Dev) (g)	0.05% (3 g sample) 0.015% (10 g sample)	0.10% (3 g sample) 0.03% (10 g sample)
Moisture range	0.01% to 100% (0.01% to 1000% for regain mode)	0.01% to 100%
Output	Bidirectional RS-232	
Timer	1–120 minutes in 10-second increments	1–120 minutes 30-second increments to 60 min. 1 min. increments from 60–120 min.
Heater type	Halogen	
Temp range	50° to 200 °C in 1°C increments	50° to 160 °C (5 °C increments)
Power	100–120 VAC, 50/60 Hz or 220–240 VAC, 50/60 Hz	
Tare range	To capacity by subtraction	
Operating temperature range	10° to 40 °C	
Display type	128 x 64 pixel graphical backlit LCD display	
Displays	% moisture, % solids, time, temperature, weight, test ID, and drying curve	% moisture, time, temperature, weight
Pan size (cm)	9	
Dimensions (WxHxD) (cm)	19 x 15 x 35	
Net wt. (kg)	4.6	
Shipping wt. (kg)	6.4	
Item Number	MB45	MB35

Models are CE, UL listed, CSA approved and FCC approved

## Optional Accessories

Description	Item Number
Temperature calibration kit	11113857
Pads, glass fiber, qty 100	80850087
Sample pans, qty 80	80850086
Reusable sample pans, qty 3	80850088
Cover, in-use MB35 and MB45	80850085
Cable, 9 pin serial extension	00410024
Cable, printer MB35 and MB45	21253677
Cable, security	80850043
20 g, ASTM class 1 calibration weight	80780022
Impact printer SF42-EU, 42 column / EU cable	12101507
Impact printer SF42-GB, 42 column / UK cable	12101508
Sample pan handler	11113873



\*ISO 9001:2000  
Registered Quality Management System

80774110b © OHAUS Europe GmbH

