



Adventurer™ SL

Analytical and Precision Balances



The Ohaus Adventurer™ SL – The Best Balance for Basic Weighing!

Designed for uncomplicated performance, the new Ohaus Adventurer *SL* balances have only those features necessary for routine weighing along with a few design and performance extras that help eliminate common nuisances that can arise in laboratory, industrial and educational settings.

With the right combination of performance and features, the Adventurer *SL* offers:

- **Easy Access, Frameless Draftshield with Removable Doors** – All doors, including the front and back glass panels, disassemble in seconds, and together with a stainless steel bottom, make it fast and easy to clean.
- **QuadraStance™ Design Provides Superior Footprint Stability** – To enhance weighing stability, QuadraStance incorporates four feet to provide superior footprint stability on any surface.

Adventurer™ SL Balances

Frameless Draftshield With Removable Doors Provides Convenient Access



Users frustrated by navigating tight spaces will welcome the easy-access weighing chamber of the Adventurer SL. The draftshield is designed without the need of top rails, so users have unobstructed entry to place or retrieve materials to be weighed. With such unobstructed entry, the chance for accidental spillage is reduced helping to eliminate waste.

With contamination being a concern in today's work environment, all doors, including the front and back glass panels are simple to remove and replace for fast and easy cleaning. Should breakage occur, within 3 easy steps, each replacement door and panel can be installed in seconds.



QuadraStance™ Design for Superior Stability

QuadraStance™ incorporates four adjusting feet to provide superior footprint stability on any surface. QuadraStance helps prevent rocking and tipping, enhancing the weighing stability of the balance, and keeping the Adventurer SL level and accurate.



Additionally, Adventurer SL has been designed with an up-front level indicator eliminating the need to look behind the balance during the leveling process. A quick glance at the up-front level indicator helps to ensure that the balance is level prior to each use.

Only The Features You Need

With twelve models to select from, the Adventurer SL is not overloaded with features seldom used in routine weighing applications, and comes with only those needed in laboratory, industrial or education settings:

Multiple Application Modes Including:

- Parts Counting with Optimization – This mode allows the user to count based on a calculated piece weight. With optimization, counting accuracy is improved through auto re-calculation of the piece weight
- Percentage Mode – This mode allows the user to display the weight of a sample as a percentage of a reference weight

Selectable Environmental Settings

- Three filter modes and adjustable zero tracking are ideal for working in slow filling applications where sensitivity is a must. When working in harsh environments, user can adjust balance settings to compensate for vibrations and other disturbances.

Protective In-Use Cover

The in-use cover is replaceable and offers protection against dust and debris, minimizing the chance of damage to the display and keypad buttons.

Other Standard Features



Security
To prevent unwarranted movement or theft, an integrated security bracket

accommodates the accessory security device

Easy to Clean

Adventurer SL's stainless steel platform makes it extremely easy to clean

AC and / or Battery Power

Some models offer portability and can operate on either the included AC adapter, or on 4 "AA" batteries. An Auto Shutoff feature helps conserve battery life



Multiple Weighing Units

Adventurer SL features multiple weighing units including a user-defined custom unit for use in unique weighing applications

Easy to Use Keypad

Two-button keypad with dedicated YES and NO functions simplify menu navigation and balance set-up



Weigh-Below Hook

Adventurer SL's integral weigh-below hook allows density determination or calculating the specific gravity of samples



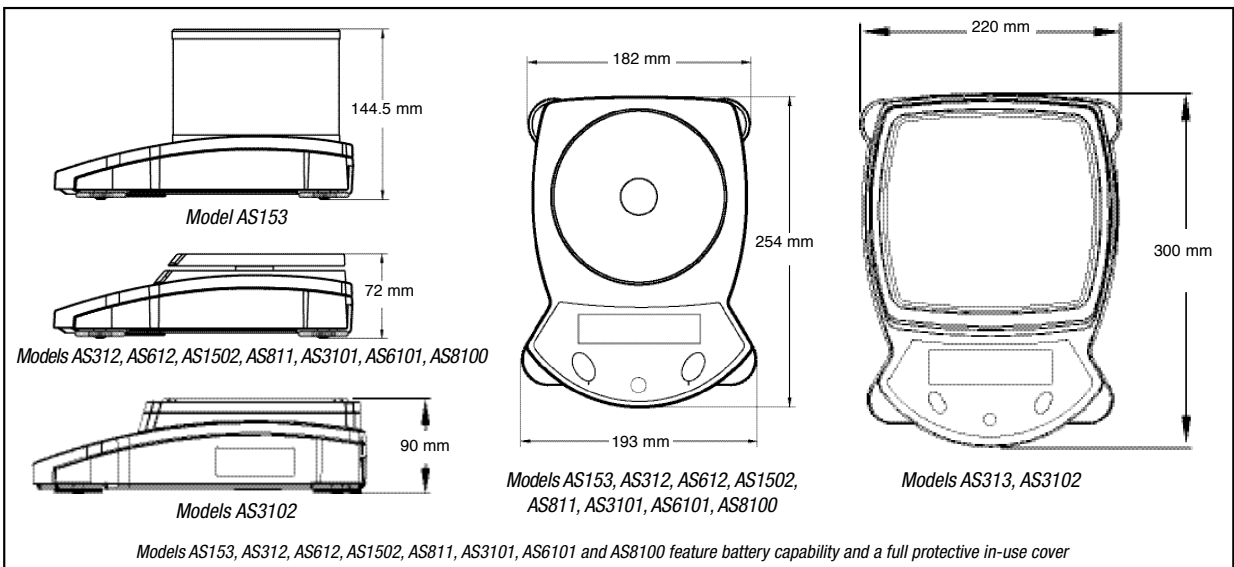
General Specifications

Weighing Units*	Milligram, Gram, Kilogram, Ounce, Pound, Carat, Pennyweight, Ounce Troy, Grain, Newton, Hong Kong Tael, Singapore Tael, Taiwan Tael, Momme, Tical, Baht, Mesghal, Tola, Custom
Application Modes	Weighing, Parts Counting, Percent Weighing
Tare Range	To capacity by subtraction
Operating Temperature Range	50° - 86°F / 10° - 30°C
Calibration	Digital with External Weight
Display Type	Single Line LCD
Display Size (in/cm)	4 x 1 / 10 x 2.5

* Milligram unit available on 0.1mg to 1mg models

Kilogram and Pound units available on 0.01g to 0.1g models

Outline Dimensional Drawings, Precision Balances

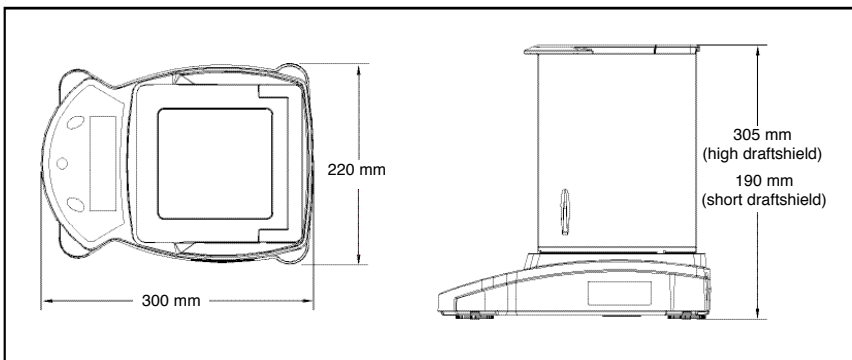


Adventurer™ SL Balances

Technical Specifications, Analytical and Precision Balances

Capacity (g)	65	210	150	310	310	610	1500	3100	810	3100	6100	8100
Readability (g)	0.1mg		0.001		0.01			0.1		1		
Repeatability (Std. dev.) (g)	0.1mg		0.001		0.01			0.1		1		
Linearity (g)	± 0.2 mg		± 0.002		± 0.02			± 0.2		± 2		
Stabilization Time (seconds)	3		2.5		3			3		1	2	1
Power Requirements	AC Adapter (Included)		AC Adapter (Included) or 4 AA Batteries (not Included)		AC Adapter (Included)		AC Adapter (Included) or 4 AA Batteries (Not Included)		AC Adapter (Included)		AC Adapter (Included) or 4 AA Batteries (Not Included)	
Draftshield Type with Height Over Pan (in/cm)	Square: 8.6 / 22		Round: 2.75 / 7		Square: 4.5 / 11.5		None					
Pan Size (in/cm)	3.5 / 9 dia.		3.9 / 10 dia.		4.7 / 12 dia.		5.8 x 6.3 / 14.9 x 16.2		6.6 x 7.1 / 16.8 x 18		5.8 x 6.3 / 14.9 x 16.2	
Balance Dimensions W x H x D(in/cm)	8.7 x 12 x 11.8 / 22 x 30.5 x 30		7.6 x 5.7 x 10 / 19.3 x 14.5 x 25.4		8.7 x 7.5 x 11.8 / 22 x 19 x 30		7.6 x 2.8 x 10 / 19.3 x 7.2 x 25.4		8.7 x 3.3 x 11.8 / 22 x 8.5 x 30		7.6 x 2.8 x 10 / 19.3 x 7.2 x 25.4	
Shipping Dimensions W x H x D (in/cm)	15.5 x 20.5 x 19.5 / 39 x 52.5 x 50		10.9 x 10.9 x 15.2 / 27.6 x 27.6 x 38.5		15.5 x 16 x 19.5 / 39 x 41 x 50		10.9 x 6.3 x 15.2 / 27.6 x 16 x 38.5		15.5 x 13 x 19.5 / 39 x 33 x 50		10.9 x 6.3 x 15.2 / 27.6 x 16 x 38.5	
Net Weight (lb/kg)	8.7 / 4		3.1 / 1.4		7.3 / 3.3		3.3 / 1.5		6.1 / 2.8		3.5 / 1.6	
Shipping Weight (lb/kg)	15.3 / 7		5.7 / 2.6		13.7 / 6.2		5.3 / 2.4		12.6 / 5.7		5.5 / 2.5	
Item Number	AS64	AS214	AS153	AS313	AS312	AS612	AS1502	AS3102	AS811	AS3101	AS6101	AS8100

Outline Dimensional Drawings, Analytical Balances



Other Standard Features and Equipment

Stability indicator, mechanical and software overload/underload protection, low battery indicator, AC adapter, user selectable span calibration points, software reset menu

Approvals

CE, FCC, cUL_{US}, cCSA_{US}, NRTL

C Tick

CB Scheme

IP33 (without Power Adapter; with Pan put on)

IP20 (with Power Adapter, with Pan put on)

Accessories

	Ohaus Number
Density determination kit for 0.1/1mg balances	470007-010
Security device.....	76288-01
Calibration masses.....	Contact Ohaus for Full Offering
Sample Scoops	Contact Ohaus for Full Offering

Industry Leading Quality and Support

All Ohaus Adventurer™ SL balances are manufactured under an ISO 9001:2000 Registered Quality Management System. Our rugged construction and stringent quality control have been hallmarks of all Ohaus products for nearly a century.

Ohaus Corporation

* 19A Chapin Road
P.O. Box 2033
Pine Brook, NJ 07058 USA

Tel: 800.672.7722
973.377.9000
Fax: 973.593.0359

www.ohaus.com

With offices throughout Europe,
Asia, and Latin America

* ISO 9001: 2000

Registered Quality Management System

LUS05-06 © Copyright Ohaus Corporation





Adventurer™ SL

Analytical and Precision Balances



The Ohaus Adventurer™ SL – The Best Balance for Basic Weighing!

Designed for uncomplicated performance, the new Ohaus Adventurer *SL* balances have only those features necessary for routine weighing along with a few design and performance extras to help eliminate common nuisances that can arise in laboratory, industrial and educational settings.

With the right combination of performance and features, the Adventurer *SL* offers:

- **Easy Access, Frameless Draftshield with Removable Doors** – All doors on the analytical models, including the front and back glass panels, disassemble in seconds, and together with a stainless steel base, make it fast and easy to clean.
- **QuadraStance™ Design Provides Superior Footprint Stability** – To enhance weighing stability, QuadraStance incorporates four feet providing superior footprint stability on any surface.

Adventurer™ SL Balances

Frameless Draftshield With Removable Doors Provides Convenient Access



Users frustrated by navigating tight spaces will welcome the easy-access weighing chamber of the Adventurer SL. The draftshield is designed without the need of top rails, so users have unobstructed entry to place or retrieve materials to be weighed. With such unobstructed entry, the chance for accidental spillage is reduced helping to eliminate waste.

With contamination being a concern in today's work environment, all doors, including the front and back glass panels are simple to remove and replace for fast and easy cleaning. Should breakage occur, within 3 easy steps, each replacement door and panel can be installed in seconds.



QuadraStance™ Design for Superior Stability

QuadraStance™ incorporates four adjusting feet to provide superior footprint stability on any surface. QuadraStance helps prevent rocking and tipping, enhancing the weighing stability of the balance, and keeping the Adventurer SL level and accurate.



Additionally, Adventurer SL has been designed with a front level indicator eliminating the need to look behind the balance during the leveling process. A quick glance at the front level indicator helps to ensure that the balance is level prior to each use.

Only The Features You Need

With twelve models to select from, the Adventurer SL is not overloaded with features, and comes with only those needed for routine weighing applications in the laboratory, industry or education:

Multiple Application Modes Including:

- Parts Counting with Optimisation – This mode allows the user to count based on a calculated piece weight. With optimisation, counting accuracy is improved through auto re-calculation of the piece weight
- Percentage Mode – This mode allows the user to display the weight of a sample as a percentage of a reference weight

Selectable Environmental Settings

- Three filter modes and adjustable zero tracking are ideal for working in slow filling applications where sensitivity is a must. When working in harsh environments, user can adjust balance settings to compensate for vibrations and other disturbances.

Protective In-Use Cover

The in-use cover is replaceable and offers protection against dust and debris, minimising the chance of damage to the display and keypad buttons.

Other Standard Features



accommodates the security device accessory

Security

To prevent unwarranted movement or theft, an integrated security bracket

Easy to Clean

Adventurer SL's stainless steel platform makes it extremely easy to clean

AC and / or Battery Power

Some models offer portability and can operate on either the included AC adapter, or on 4 "AA" batteries. An Auto Shutoff feature helps conserve battery life



Multiple Weighing Units

Adventurer SL features multiple weighing units including a user-defined custom unit for use in unique weighing applications

Easy to Use Keypad

Two-button keypad with dedicated YES and NO functions simplify menu navigation and balance set-up

Weigh-Below Hook

Adventurer SL's integral weigh-below hook allows density determination or calculating the specific gravity of samples



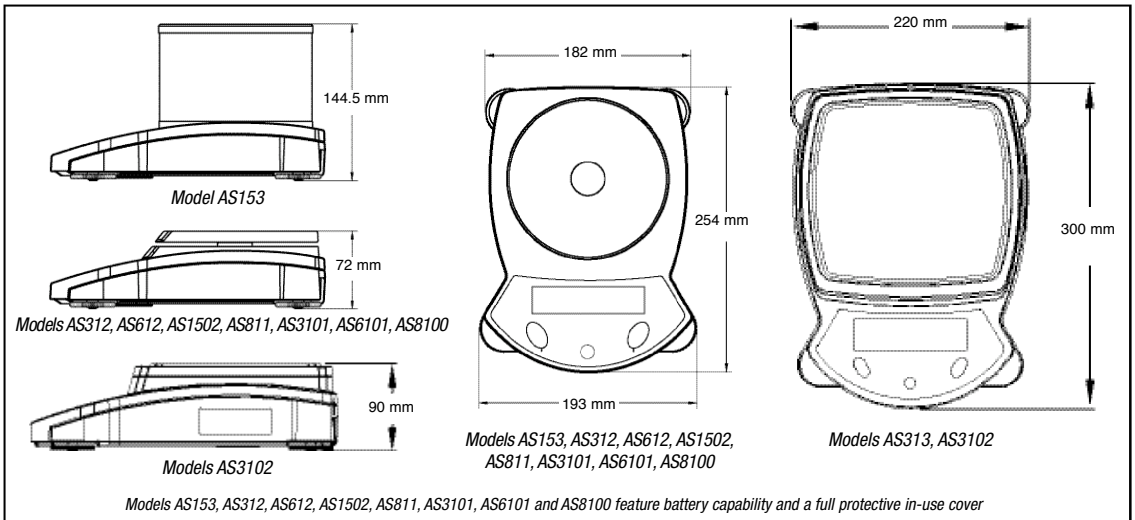
General Specifications

Weighing Units*	Milligram, Gram, Kilogram, Ounce, Pound, Carat, Pennyweight, Ounce Troy, Grain, Newton, Hong Kong Tael, Singapore Tael, Taiwan Tael, Momme, Tical, Baht, Mesghal, Tola, Custom
Application Modes	Weighing, Parts Counting, Percent Weighing
Tare Range	To capacity by subtraction
Operating Temperature Range	10° - 30°C
Calibration	Digital with External Weight
Display Type	Single Line LCD
Display Size (cm)	10 x 2.5

* Milligram unit available on 0.1mg to 1mg models

Kilogram and Pound units available on 0.01g to 0.1g models

Outline Dimensional Drawings, Precision Balances

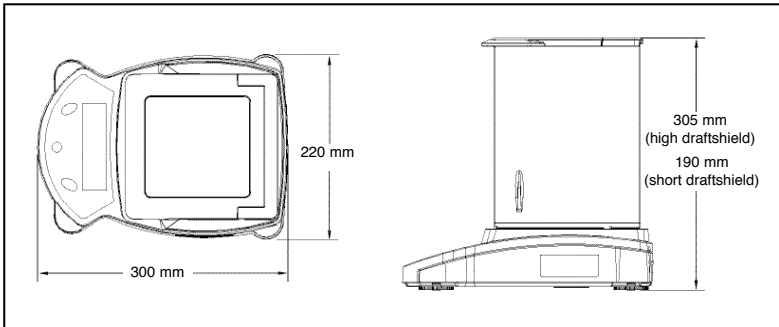


Adventurer™ SL Balances

Technical Specifications, Analytical and Precision Balances

Capacity (g)	65	210	150	310	310	610	1500	3100	810	3100	6100	8100
Readability (g)	0.1mg		0.001		0.01			0.1		1		
Repeatability (Std. dev.) (g)	0.1mg		0.001		0.01			0.1		1		
Linearity (g)	± 0.2 mg		± 0.002		± 0.02			± 0.2		± 2		
Stabilisation Time (seconds)	3		2.5	3	3			1	2		1	
Power Requirements	AC Adapter (Included)		AC Adapter (Included) or 4 AA Batteries (not Included)	AC Adapter (Included)	AC Adapter (Included) or 4 AA Batteries (Not Included)		AC Adapter (Included)	AC Adapter (Included) or 4 AA Batteries (Not Included)				
Draftshield Type with Height Over Pan (cm)	Square: 22		Round: 7	Square: 11.5	None							
Pan Size (cm)	9 dia.		10 dia.	12 dia.	14.9 x 16.2		16.8 x 18	14.9 x 16.2				
Balance Dimensions W x H x D(cm)	22 x 30.5 x 30		19.3 x 14.5 x 25.4	22 x 19 x 30	19.3 x 7.2 x 25.4		22 x 8.5 x 30	19.3 x 7.2 x 25.4				
Shipping Dimensions W x H x D (cm)	39 x 52.5 x 50		27.6 x 27.6 x 38.5	39 x 41 x 50	27.6 x 16 x 38.5		39 x 33 x 50	27.6 x 16 x 38.5				
Net Weight (kg)	4		1.4	3.3	1.5		2.8	1.6				
Shipping Weight (kg)	7		2.6	6.2	2.4		5.7	2.5				
Item Number	AS64	AS214	AS153	AS313	AS312	AS612	AS1502	AS3102	AS811	AS3101	AS6101	AS8100

Outline Dimensional Drawings, Analytical Balances



Other Standard Features and Equipment

Stability indicator, mechanical and software overload/underload protection, low battery indicator, AC adapter, user selectable span calibration points, software reset menu

Approvals

CE, FCC, cUL_{US}, cCSA_{US}, NRTL

C Tick

CB Scheme

IP33 (without Power Adapter; with Pan put on)

IP20 (with Power Adapter, with Pan put on)

Accessories

	Ohaus Number
Density determination kit for 0.1/1mg balances	470007-010
Security device.....	76288-01
Calibration masses.....	Contact Ohaus for Full Offering
Sample Scoops	Contact Ohaus for Full Offering

Industry Leading Quality and Support

All Ohaus Adventurer™ SL balances are manufactured under an ISO 9001:2000 Registered Quality Management System. Our rugged construction and stringent quality control have been hallmarks of all Ohaus products for nearly a century.

Ohaus UK Ltd.

64 Boston Road
Beaumont Leys
Leicester LE4 1AW
Tel.: 0116 234 5075
Fax: 0116 235 9256
e-mail: uksales@ohaus.com

Ohaus Europe GmbH

Im Langacher
CH-8606 Greifensee
Switzerland
Tel.: +41-44-944 33 66
Fax: +41-44-944 3230
e-mail: EuropeSales@Ohaus.com

Ohaus Corporation

* 19 Chapin Road
Pine Brook, NJ 07058 USA
Tel.: +1-973-377-9000
Fax: +1-973-593-0359
e-mail: OhausHQ@Ohaus.com

With offices in Mexico, Switzerland, England, Germany, France, Spain, Italy, Poland, Russia, Japan, Korea and China

* ISO 9001

Registered Quality Management System

www.ohaus.com

30774163 © Copyright Ohaus Corporation





Adventurer™ SL

Balances Analytiques et de Précision



Ohaus Adventurer™ SL – Une balance simple, précise et économique!

Simple mais performantes, les nouvelles balances Ohaus Adventurer SL possèdent uniquement les caractéristiques nécessaires aux pesées de routine. Quelques fonctions supplémentaires aident à éliminer les nuisances inhérentes à toute utilisation en laboratoire, dans l'industrie ou l'enseignement.

Adventurer SL offre un juste dosage entre performance et fonctionnalités:

- **Un accès aisé grâce à sa cage Flip Top avec portes amovibles** – Toutes les parois, y compris les vitres avant et arrière, se démontent en quelques secondes. Avec une surface de travail en acier inox, elle est extrêmement facile et rapide à nettoyer.
- **Un système QuadraStance™ pour une stabilité renforcée** – QuadraStance intègre quatre pieds réglables pour garantir la stabilité des pesées sur toute surface.

Balances Adventurer™ SL

La cage de pesée Flip Top avec portes amovibles offre un accès unique



Les utilisateurs obligés de manipuler dans des espaces exigus seront heureux de découvrir la cage de pesée d'Adventurer Pro. Cette dernière a été conçue sans rail supérieur, d'où un accès totalement libre pour manipuler les échantillons à peser. Avec un tel espace de travail, le risque de pollution accidentelle est réduit au minimum. La réduction du risque de contamination étant une préoccupation quotidienne, toutes les portes, vitres avant et arrière incluses, sont faciles à démonter et remonter pour un nettoyage efficace et rapide. En cas de bris de glace, le remplacement de chaque vitre se fait en quelques secondes.



Le système QuadraStance™ renforce la stabilité

QuadraStance™ comporte 4 pieds réglables pour assurer une stabilité irréprochable sur n'importe quelle surface. QuadraStance évite tout problème de déséquilibre, améliorant ainsi la stabilité de la balance, et assurant la fiabilité des résultats.



De plus, le niveau à bulle d'Adventurer Pro est placé à l'avant de la balance, évitant ainsi à l'opérateur de regarder derrière la balance pendant la mise à niveau. Un simple coup d'oeil sur le niveau à bulle permet d'être sûr que la balance est de niveau à chaque utilisation.

Uniquement les caractéristiques dont vous avez besoin

Avec une sélection de 12 modèles, l'Adventurer SL n'est pas surchargée de fonctions rarement utilisées, et apporte seulement celles nécessaires pour les pesées de routine en laboratoire, dans l'industrie ou l'enseignement:

Nombreuses fonctions telles que:

- Comptage de pièces avec optimisation – Cette fonction permet à l'utilisateur de compter des pièces à partir de leur poids unitaire. Avec l'optimisation, la précision de comptage est affinée en permanence par re-calculation du poids unitaire.
- Pesée en pourcentage – Cette fonction permet à l'utilisateur d'afficher la valeur en pourcentage par rapport à un poids de référence.

Adaptable aux conditions environnementales

- Le réglage de trois paramètres permet à l'utilisateur de travailler avec précision sur une application de remplissage à très faible débit pour laquelle la sensibilité de la balance doit être optimale, comme sur une application de pesage en environnement difficile pour laquelle il pourra régler le filtrage électronique et la stabilité de la balance pour compenser vibrations et courants d'air.

Housse de protection

La housse de protection offre une excellente protection contre toutes les projections et/ou débordements de produit lors de la pesée, ce qui réduit considérablement les risques de dégradation de l'écran et du clavier.

Autres caractéristiques



Sécurité
Pour prévenir les chutes accidentelles et les vols, un crochet de

sécurité intégré est prévu pour la fixation du kit antivol

Facile à nettoyer

Le plateau inox Adventurer SL en fait une balance extrêmement facile à nettoyer

Alimentation sur secteur ou piles

Certains modèles portables peuvent aussi bien fonctionner grâce à l'adaptateur secteur inclus, ou grâce à 4 piles type "AA". Une fonction "auto extinction" prolonge la durée de vie des piles.



Nombreuses unités

Adventurer SL propose de nombreuses unités, incluant une unité paramétrable par l'utilisateur pour répondre aux besoins spécifiques de certaines applications

Clavier convivial

Clavier 2 touches avec marquage YES, NO pour simplifier l'utilisation et le paramétrage de la balance



Crochet de pesée sous balance

La détermination de densité ou le calcul de la masse volumique sont possibles grâce au crochet de pesée sous balance

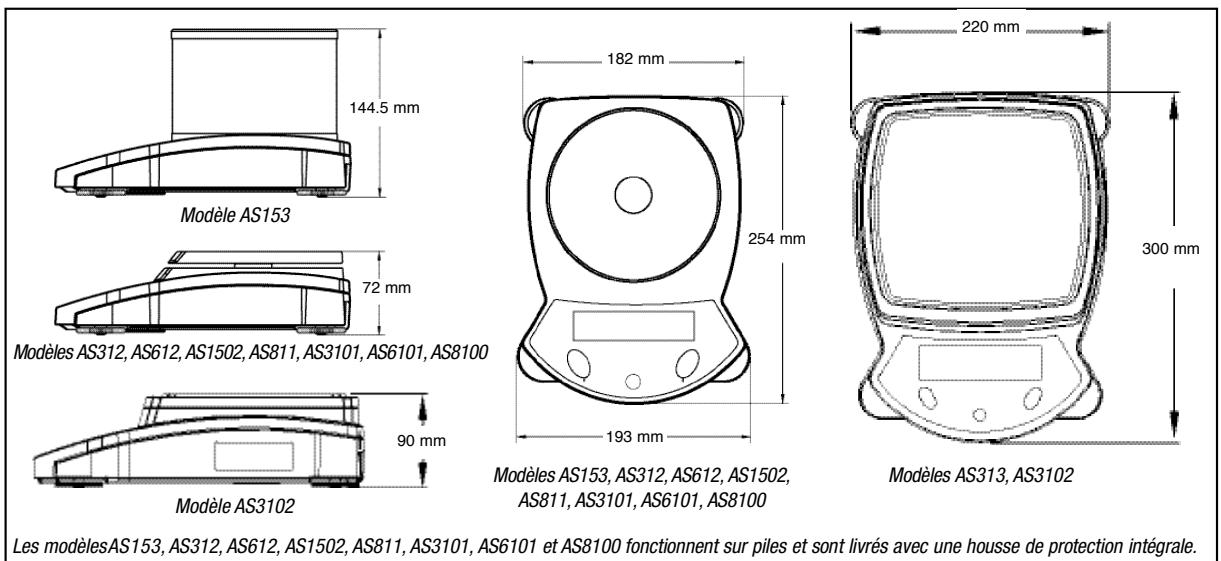


Caractéristiques générales

Unités de pesée*	Milligramme, Gramme, Kilogramme, Ounce, Pound, Carat, Pennyweight, Ounce Troy, Grain, Newton, Hong Kong Tael, Singapore Tael, Taiwan Tael, Momme, Tical, Baht, Mesghal, Tola, Unité Client
Fonctions	Comptage, Pesée en pourcentage
Gamme de tarage	Soustractif sur toute la gamme
Température d'utilisation	10° - 30°C
Calibrage	Digital avec poids externe
Type d'affichage	Une ligne LCD
Dimensions affichage (cm)	10 x 2.5

* Unité Milligramme disponible sur modèles 0.1mg et 1mg
Unités Kilogramme et Pound disponibles sur modèles 0.01g et 0.1g

Dimensions extérieures, Balances de Précision

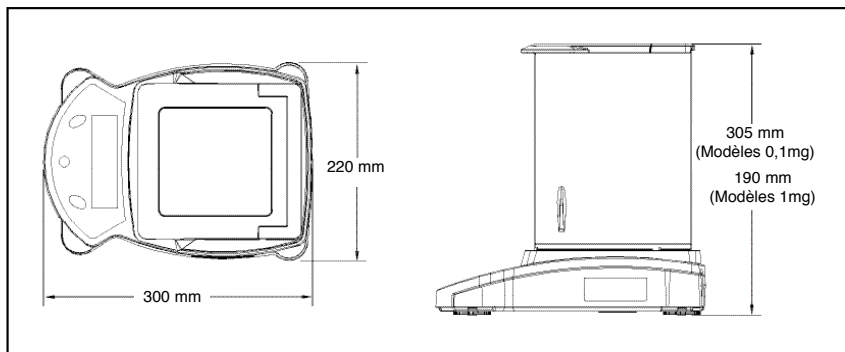


Balances Adventurer™ SL

Caractéristiques techniques, Balances Analytiques et de Précision

Capacité (g)	65	210	150	310	310	610	1500	3100	810	3100	6100	8100
Précision (g)	0.1 mg		0.001 g		0.01 g			0.1 g		1 g		
Répétabilité (Ecart type.) (g)	0.1 mg		0.001 g		0.01 g			0.1 g		1 g		
Linéarité (g)	± 0.2 mg		± 0.002 g		± 0.02 g			± 0.2 g		± 2 g		
Temps de stabilisation (secondes)	3		2.5		3			3		1	2	1
Alimentation	Adaptateur secteur (Inclus)		Adaptateur secteur (Inclus) ou 4 piles AA (non incluses)		Adaptateur secteur (Inclus)		Adaptateur secteur (Inclus) ou 4 piles AA (non incluses)		Adaptateur secteur (Inclus)		Adaptateur secteur (Inclus) ou 4 piles AA (non incluses)	
Type de cage et Hauteur sur plateau (cm)	3 portes: 22		Ronde: 7		3 portes: 11.5		Pas de cage					
Dimensions plateau (cm)	dia. 9		dia. 10		dia. 12		14.9 x 16.2	16.8 x 18	14.9 x 16.2			
Dimensions Balance L x H x P (cm)	22 x 30.5 x 30		19.3 x 14.5 x 25.4		22 x 19 x 30		19.3 x 7.2 x 25.4	22 x 8.5 x 30	19.3 x 7.2 x 25.4			
Dimensions emballée L x H x P (cm)	39 x 52.5 x 50		27.6 x 27.6 x 38.5		39 x 41 x 50		27.6 x 16 x 38.5	39 x 33 x 50	27.6 x 16 x 38.5			
Poids Net (kg)	4		1.4		3.3		1.5	2.8	1.6			
Poids emballée (kg)	7		2.6		6.2		2.4	5.7	2.5			
Références	AS64	AS214	AS153	AS313	AS312	AS612	AS1502	AS3102	AS811	AS3101	AS6101	AS8100

Dimensions extérieures, Balances Analytiques



Autres caractéristiques

Indicateur de stabilité, protection mécanique et électronique contre les sur/sous charges, indicateur de batteries faibles, adaptateur secteur, points de calibrage paramétrables par l'utilisateur, menu retour paramètres usine.

Approbations

CE, FCC, cUL_{US}, cCSA_{US}, NRTL

C Tick

CB Scheme

Accessoires

Kit détermination de densité modèles 0.1/1mg80850045

Kit anti-vol80850000

Masses de calibrageContactez Ohaus pour plus d'informations

Couppelles de peséeContactez Ohaus pour plus d'informations

Support et système qualité

Toutes les balances Ohaus Adventurer™ SL sont fabriquées suivant un système qualité ISO 9001:2000. Une construction robuste et un contrôle qualité stricte sont la marque de tous les produits Ohaus depuis presque un siècle.

Ohaus sarl

BP 30 – 85 rue Joseph Bertrand
78221 Viroflay Cedex, France
Tél.: 33 (0) 1 39 24 01 93
Fax: 33 (0) 1 39 24 01 94
e-mail: FranceSales@ohaus.com

Ohaus Europe GmbH

Im Langacher
CH-8606 Greifensee
Switzerland
Tel.: +41-44-944 33 66
Fax: +41-44-944 3230
e-mail: EuropeSales@Ohaus.com

Ohaus Corporation

* 19 Chapin Road
Pine Brook, NJ 07058 USA
Tel.: +1-973-377-9000
Fax: +1-973-593-0359
e-mail: OhausHQ@Ohaus.com

Egalement en Allemagne, Angleterre,
Canada, Corée, Espagne, Italie, Japon,
Russie, Mexique et Pologne.

* ISO 9001

Registered Quality Management System

Adresse internet: www.ohaus.com



Adventurer™ SL

Analysen und Präzisionswaagen



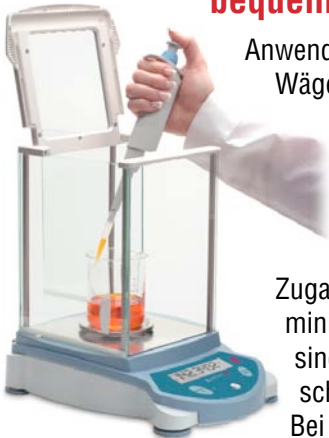
Ohaus Adventurer™ SL – Die beste Wahl für Basisaufgaben!

Entworfen für Basisaufgaben, haben die neuen Ohaus Adventurer SL Waagen nur jene Eigenschaften, die für die Routinewägungen notwendig sind. Mit neuen Design- und Leistungsmerkmalen hilft die Adventurer SL, störende Einflüsse, die in den Labor- und Industrieumgebungen entstehen können, zu meistern.

- **Einfacher Zugang zum Wägeraum, rahmenloser Windschutz mit abnehmbaren Türen** – alle Türen, einschließlich der Front- und Rückverglasung sind in Sekunden entfernt, und zusammen mit dem Edelstahl Wägeboden ist alles einfach und schnell zu säubern.
- **QuadraStance™ Design garantiert optimale Standortanpassung** – um eine optimale Wägestabilität auf jeder Oberfläche zu garantieren, sind die Adventurer SL Waagen mit 4 Nivellierfüßen ausgestattet.

Adventurer™ SL Waagen

Rahmenloser Windschutz mit entfernbaren Türen bietet bequemen Zugang



Anwender, die frustriert sind über enge Zugänge zum Wägeraum, werden über den bequemen Zugang bei der Adventurer SL begeistert sein. Der Windschutz ist ohne Notwendigkeit eines oberen Rahmens konzipiert, so dass das zu wägende Material einfach auf- oder abzunehmen ist. Dank dem ungehinderten Zugang wird eine Verschmutzung des Wägeraums minimiert. Da Hygiene eine immer größere Rolle spielt, sind alle Türen einschließlich der Front- und Rückseite schnell und einfach zu entfernen und können problemlos gereinigt werden. Bei einem Glasschaden kann in 3 einfachen Schritten jede Ersatztür oder Verkleidung in Sekunden ersetzt werden.



QuadraStance™ Design für optimale Standortanpassung

QuadraStance™ Design sorgt mittels 4 Nivellierfüßen für optimale Anpassung auf jeder möglichen Oberfläche. Dadurch wird ein Wackeln oder Neigen der Waage während dem Einsatz verhindert und garantiert damit akkurate Ergebnisse. Zusätzlich wurde die Adventurer SL mit einer Frontlibelle ausgestattet, die das Nivellieren der Waage noch einfacher macht. Vor jedem Gebrauch der Waage reicht ein kurzer Blick, um festzustellen ob die Waage noch korrekt ausgerichtet ist.



Die wichtigsten Funktionen

Die 12 Modelle der Adventurer SL sind nicht mit Funktionen überlastet, die nur selten bei Routinewägungen benutzt werden, sondern haben ausschließlich die Funktionen, die hauptsächlich im Labor-, Industrie und Bildungsbereich benötigt werden:

Verschiedene Anwendungsmöglichkeiten inklusive:

- Stückzählung mit Autooptimierung – Diese Funktion bietet die Möglichkeit der automatischen Rekalkulation des durchschnittlichen Stückgewichtes – anstatt 100 Teile für eine Probe zu zählen, zählen Sie 10 Teile und lassen die Adventurer SL den Rest der Probe für Sie zählen!
- Prozentwägung – Diese Funktion ermöglicht das Vergleichen von Proben. Auf Tastendruck wird das Gewicht einer Probe als Prozentsatz eines Bezugsgewichts angezeigt.

Wählbare Standortanpassung

- Drei Filtereinstellungen und die justierbare Nullpunktnachführung sind für langsame Füllwägungen ideal, wo Empfindlichkeit ein Muss ist. Bei ungünstigen Umgebungsbedingungen können die Einstellungen so verändert werden, dass die Waage Vibrationen oder andere Störfaktoren kompensiert.

Arbeitsschutzabdeckung

Die austauschbare Abdeckung für das Display bietet Schutz gegen Staub oder anderer Rückstände und schützt vor Beschädigungen der Displayanzeige und Tasten.

Weitere Ausstattungsmerkmale



Sicherheit
Die integrierte Sicherheitsöse und das optionale Schloss schützen vor

unbefugter Standortveränderung oder Diebstahl

Netz- und /oder Batteriebetrieb

Einige Modelle sind portabel und können wahlweise mit dem mitgelieferten Netzadapter oder optional mit Batterien betrieben werden. Eine automatische Abschaltung schont die Lebensdauer der Batterien



Einfache Reinigung

Die Adventurer SL Edelstahl-Wägeplattformen garantieren eine einfache Reinigung

Einfache Bedienung

Die 2-Tasten-Bedienung mit den definierten JA und NEIN Funktionen machen das Navigieren im Menü und die Menüeinstellungen ganz einfach

Verschiedene Wägeeinheiten

Adventurer SL ist mit einer Vielzahl von Wägeeinheiten ausgestattet, inklusive einer frei definierbaren Wägeeinheit z.B. für die Berechnung von g/m²



Unterflurwägehaken

Mit dem im Boden integrierten Unterflurwägehaken können

Wägungen zur Dichtebestimmung oder zur Bestimmung des spezifischen Gewichts durchgeführt werden

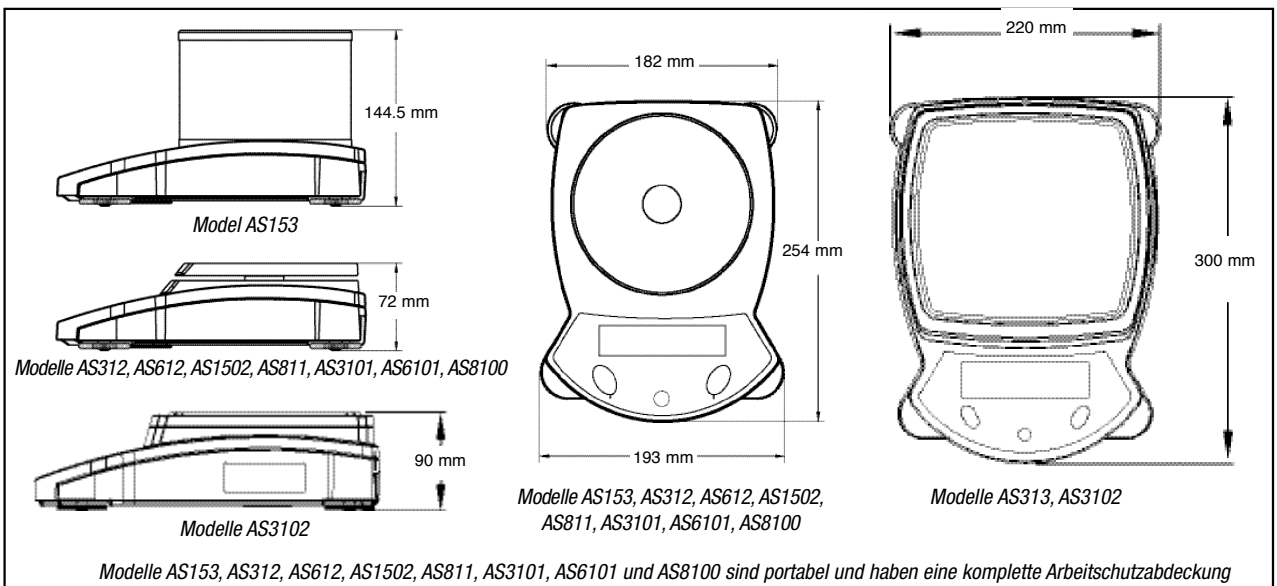


Generelle Spezifikationen

Wägeeinheiten*	Milligramm, Gramm, Kilogramm, Ounce, Pound, Karat, Pennyweight, Ounce Troy, Grain, Newton, Hong Kong Tael, Singapore Tael, Taiwan Tael, Momme, Tical, Baht, Mesghal, Tola, frei definierbare Einheit
Wägefunktionen	Wägen, Stückzählung, Prozentwägung
Tarierbereich	Subtraktiv, gesamter Wägebereich
Betriebstemperatur	10° - 30°C
Justierung	Automatisch, mit externen Gewichten
Display	Einzeilig, LCD
Display Größe (cm)	10 x 2.5

* Milligramm nur bei 0.1mg bis 1mg Modellen verfügbar,
Kilogramm und Pound nur bei 0.01g bis 0.1g Modellen verfügbar

Maßzeichnungen, Präzisionsmodelle

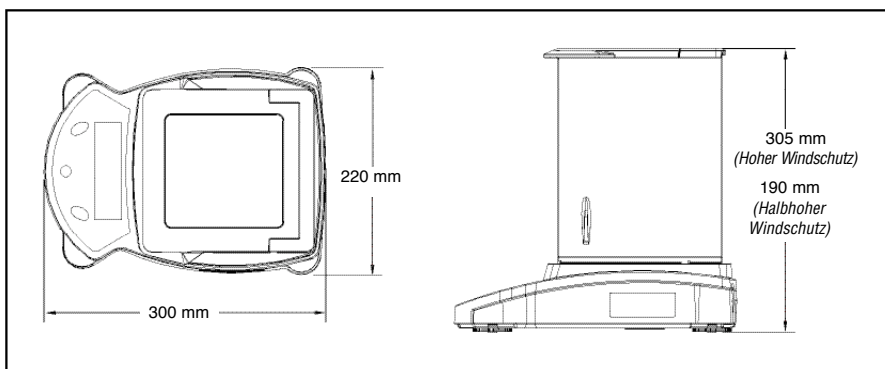


Adventurer™ SL Waagen

Technische Spezifikationen, Analysen- und Präzisionsmodelle

Wägebereich (g)	65	210	150	310	310	610	1500	3100	810	3100	6100	8100
Ablesbarkeit (g)	0.1 mg		0.001 g		0.01 g			0.1 g		1 g		
Reproduzierbarkeit (Std. Abw.) (g)	0.1 mg		0.001 g		0.01 g			0.1 g		1 g		
Linearität (g)	± 0.2 mg		± 0.002 g		± 0.02 g			± 0.2 g		± 2 g		
Stabilisierungszeit (Sekunden)	3		2.5	3	3			1	2		1	
Stromversorgung	AC Adapter		AC Adapter oder 4 AA Batterien (optional)	AC Adapter	AC Adapter oder 4 AA Batterien (optional)		AC Adapter	AC Adapter oder 4 AA Batterien (optional)				
Windschutz Typ mit lichter Höhe über Plattform (cm)	Quadratisch: 22		Rund: 7	Quadratisch: 11.5	keinen							
Plattformgröße (cm)	9 Ø		10 Ø	12 Ø		14.9 x 16.2		16.8 x 18	14.9 x 16.2			
Gehäusemaße B x H x T (cm)	22 x 30.5 x 30		19.3 x 14.5 x 25.4	22 x 19 x 30	19.3 x 7.2 x 25.4		22 x 8.5 x 30	19.3 x 7.2 x 25.4				
Versandmaße B x H x T (cm)	39 x 52.5 x 50		27.6 x 27.6 x 38.5	39 x 41 x 50	27.6 x 16 x 38.5		39 x 33 x 50	27.6 x 16 x 38.5				
Nettogewicht (kg)	4		1.4	3.3	1.5		2.8	1.6				
Versandgewicht (kg)	7		2.6	6.2	2.4		5.7	2.5				
Modell-Nr.	AS64	AS214	AS153	AS313	AS312	AS612	AS1502	AS3102	AS811	AS3101	AS6101	AS8100

Maßzeichnungen, Analysenmodelle



Standardausstattung:

Stabilitätsanzeige, Software und mechanischer Über-/Unterlastschutz, Batteriekapazitätsanzeige, benutzerwählbare Messspannenkalibrierung, Arbeitsschutzabdeckung, Netzadapter.

Zubehör optional:

Dichtebestimmungssatz für Analysenmodelle
Diebstahlsicherung
Justiergewichte

Ohaus GmbH

Ockerweg 3a
D-35396 Giessen
Tel.: +49 (0) 641 / 79 90 08-0
Fax: +49 (0) 641 / 7 10 25
Email: Ohaus.Deutschland@ohaus.com
www.ohaus.de

Ohaus Europe GmbH

Im Langacher
CH-8606 Greifensee
Switzerland
Tel.: +41-44-944 33 66
Fax: +41-44-944 3230
e-mail: EuropeSales@Ohaus.com

www.ohaus.com

Weitere Niederlassungen in England,
Frankreich, Spanien, Italien, Polen,
Russland, Mexiko, Japan, Korea und China

ISO 9001: 2000
Registered Quality Management System



Adventurer™ SL

Bilance Analitiche e di Precisione



Ohaus Adventurer SL – La bilancia migliore per la pesata semplice!

Progettate per prestazioni semplici, le nuove bilance Ohaus Adventurer SL offrono non solo le caratteristiche necessarie per le pesate quotidiane, ma anche un design e prestazioni aggiuntive che migliorano la qualità del lavoro in laboratorio, nell'industria e nelle scuole.

Vi presentiamo la giusta combinazione delle prestazioni e delle caratteristiche presente nelle bilance Adventurer SL:

- **Facile accesso, paravento privo di telaio con finestre rimuovibili** – Tutte le porte, incluse le finestre frontale e posteriore, insieme alla piastra inferiore in acciaio inossidabile, possono essere rimosse in poco tempo e pulite facilmente.
- **Il design QuadraStance assicura una maggiore stabilità grazie ai piedini regolabili** – Per migliorare la stabilità delle pesate, QuadraStance incorpora quattro piedini a garanzia di stabilità della bilancia su qualsiasi superficie.

Bilancia Adventurer SL

Paravento privo di telaio con porte rimovibili per un facile accesso



Gli utilizzatori saranno facilmente agevolati nel loro lavoro grazie all'accesso facilitato nella camera di pesata della Adventurer SL. Le porte del paravento sono state progettate per scorrere senza guide, in modo da facilitare l'ingresso e l'uscita dei campioni da pesare. Tale accorgimento, privo di ostacoli, diminuisce notevolmente la probabilità di versare accidentalmente il campione da pesare, contribuendo così alla riduzione degli sprechi.

La contaminazione è un problema sempre più frequente negli ambienti di lavoro: per questo motivo, tutte le porte, comprese la parte anteriore e la finestra posteriore in vetro, sono semplici da rimuovere permettendo una pulizia facile e veloce. In caso di rottura, ogni porta o finestra può essere sostituita e rimontata in poco tempo, seguendo 3 semplici operazioni.



Design QuadraStance: garanzia di massima stabilità

QuadraStance comprende quattro piedini regolabili per garantire una maggiore stabilità della bilancia su qualsiasi superficie. QuadraStance permette di ridurre oscillazioni o movimenti improvvisi, aumenta la stabilità di pesata della bilancia e mantiene le Adventurer SL fisse e accurate.



Inoltre le Adventurer SL sono state progettate con una bolla di livello frontale per facilitare la messa in bolla della bilancia. Una rapida occhiata alla bolla assicura che la bilancia sia installata correttamente prima di ogni utilizzo.

Solamente le applicazioni che Vi servono

Con dodici modelli a scelta, le Adventurer SL possiedono le caratteristiche che vengono normalmente usate nelle pesate quotidiane, in laboratorio, nell'industria o nelle scuole. Solo quanto è veramente necessario, senza accessori superflui:

Applicazioni integrate:

- Conteggio pezzi con ottimizzazione – tale applicazione permette all'utilizzatore di eseguire il conteggio basandosi su un peso calcolato del pezzo. Grazie all'ottimizzazione è migliorata l'accuratezza del conteggio, tramite il ricalcolo automatico del peso del pezzo
- Pesata percentuale – tale applicazione permette all'utilizzatore di visualizzare il peso di un campione come percentuale di un peso di riferimento

Configurazione dei parametri ambientali

- Le tre modalità di filtro e la funzione di auto azzeramento definibili dall'utilizzatore sono ideali per il funzionamento nelle applicazioni di riempimento dove è molto importante l'accuratezza delle pesate. In ambienti aggressivi, l'utilizzatore può regolare i parametri della bilancia per compensare le vibrazioni e altri disturbi esterni.

Capottina protettiva integrata

La capottina protettiva è sostituibile e offre protezione dalla polvere e da residui, riducendo le probabilità di danneggiamento sia della tastiera sia del display.

Caratteristiche standard



Sicurezza
Per prevenire furti o spostamenti ingiustificati, una staffa di sicurezza integrata permette il passaggio del lucchetto disponibile come accessorio

Facile da pulire

Il piatto in acciaio inossidabile della Adventurer SL rende facili le operazioni di pulizia

Alimentatore AC e/o batterie

Alcuni modelli sono portatili e possono funzionare sia alimentati a rete sia con 4 batterie "AA". La funzione di autospegnimento garantisce la durata delle batterie.



Diverse unità di misura

L'Adventurer SL include numerose unità di misura oltre ad una unità definibile liberamente dall'utente per l'uso in applicazioni particolari

Tastiera intuitiva

Tastiera a due tasti con funzioni dedicate: YES e NO. Semplifica la navigazione nel menù e le impostazioni della bilancia



Gancio di pesata sotto la bilancia

Integrato nell'Adventurer SL, permette la determinazione della densità o il calcolo della gravità specifica dei campioni

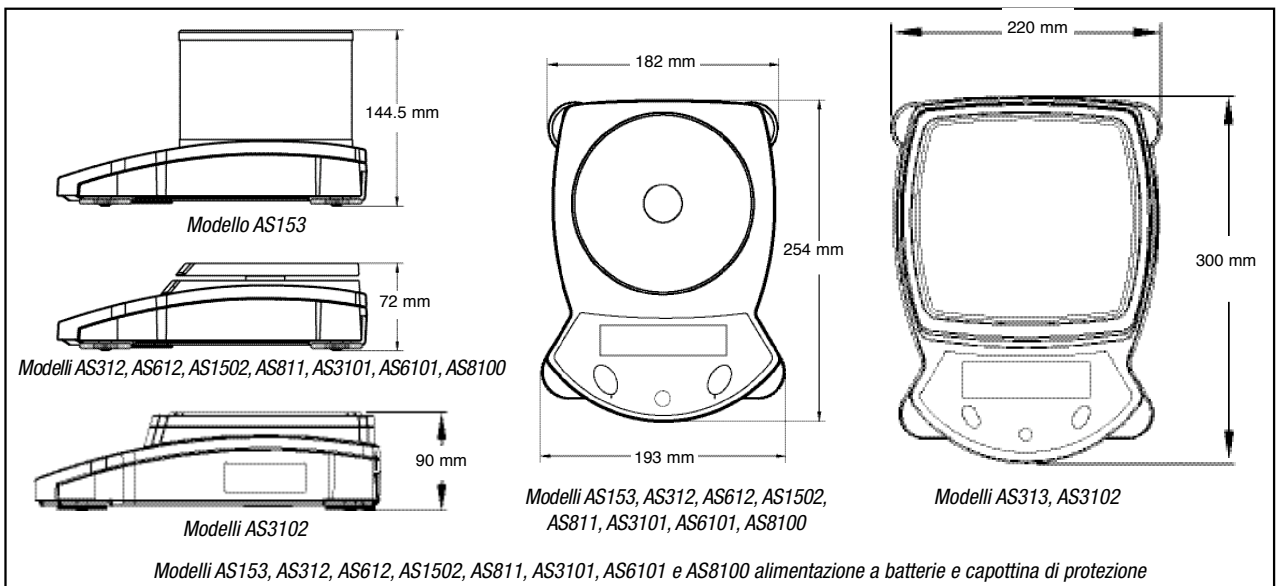


Specifiche generali

Unità di misura*	Milligrammi, Grammi, Kilogrammi, Oncia, Libbre, Carati, Pennyweight, Oncia Troy, Grano, Newton, Hong Kong Tael, Singapore Tael, Taiwan Tael, Momme, Tical, Baht, Mesghal, Tola, Custom
Applicazioni	Pesata semplice, Conteggio pezzi, Pesata percentuale
Campo di Tara	Sottrattivo alla portata totale
Temperatura di lavoro	10° - 30°C
Regolazione	Digitale con massa esterna in opzione
Display	LCD monolinea
Dimensioni display (mm)	100 x 25

* Milligrammi disponibili solo sui modelli da 0.1mg e 1mg
Kilogrammi e Libbre disponibili solo sui modelli da 0.01g e 0.1g

Quote dimensionali, Bilance di Precisione

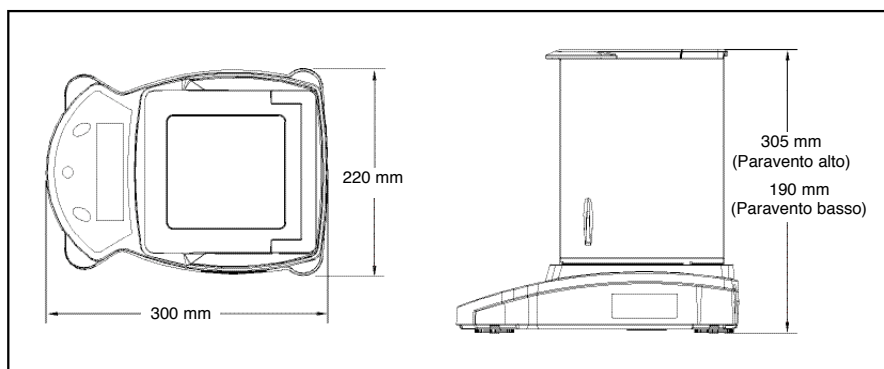


Bilance Adventurer SL

Specifiche tecniche, Bilance Analitiche e di Precisione

Portata (g)	65	210	150	310	310	610	1500	3100	810	3100	6100	8100
Risoluzione	0.1 mg		0.001 g				0.01 g		0.1 g			1 g
Ripetibilità (Dev. std.)	0.1 mg		0.001 g				0.01 g		0.1 g			1 g
Linearità	± 0.2 mg		± 0.002 g				± 0.02 g		± 0.2 g			± 2 g
Tempo di stabilizzazione (s)	3		2.5	3			3		1	2		1
Alimentazione	Alimentatore AC (Incluso)		Alimentatore AC (Incluso) o 4 AA Batterie (non include)	Alimentatore AC (Incluso)			Alimentatore AC (Incluso) o 4 AA Batterie (Non include)		Alimentatore AC (Incluso)			Alimentatore AC (Incluso) o 4 AA Batterie (Non include)
Forma paravento	Quadrato:		Circolare:	Quadrato:	Non disponibile							
Altezza sopra il piatto (mm)	220		70	115								
Dimensioni piatto (mm)	90 dia.		100 dia.	120 dia.	149 x 162	168 x 180		149 x 162				
Dimensioni bilancia L x H x P (mm)	220 x 305 x 300	193 x 145 x 254	220 x 190 x 300	193 x 72 x 254	220 x 85 x 300		193 x 72 x 254					
Dimensioni imballo L x H x P (mm)	390 x 525 x 500	276 x 276 x 385	390 x 410 x 500	276 x 160 x 385	390 x 330 x 500		276 x 160 x 385					
Peso netto (kg)	4	1.4	3.3	1.5	2.8		1.6					
Peso imballo (kg)	7	2.6	6.2	2.4	5.7		2.5					
Codice Articolo	AS64	AS214	AS153	AS313	AS312	AS612	AS1502	AS3102	AS811	AS3101	AS6101	AS8100

Quote dimensionali, Bilance Analitiche



Caratteristiche standard/Equipaggiamento

Indicatore di stabilità, protezione meccanica e elettronica da sovra- e sottocarico, indicatore batterie scariche, alimentatore AC, punti di regolazione span selezionabili dall'utente, funzione reset

Approvazioni

CE, FCC, cUL_{US}, cCSA_{US}, NRTL

C Tick

Schema CB

IP33 (senza alimentatore; con piatto)

IP20 (con alimentatore e piatto)

Opzioni e Accessori

Codice Ohaus

Kit determinazione densità solo per bilance 0.1/1mg470007-010

Dispositivo antifurto.....76288-01

Masse di regolazioneContattare Ohaus Italia

Qualità Ohaus

Tutte le bilance Ohaus Adventurer SL sono prodotte in regime di Qualità certificato ISO 9001:2000. La struttura robusta e severi controlli di qualità sono le caratteristiche di tutti i prodotti Ohaus da quasi un secolo.

Ohaus Italia

Via Vialba,42
20026 Novate Milanese (MI)
Tel.: +39 02-33 3321
Fax: +39 02-3562 973
e-mail: ItalySales@Ohaus.com

Ohaus Europe GmbH

Im Langacher
CH-8606 Greifensee
Switzerland
Tel.: +41-44-944 33 66
Fax: +41-44-944 3230
e-mail: EuropeSales@Ohaus.com

Ohaus Corporation

*19 Chapin Road
Pine Brook, NJ 07058 USA
Tel.: +1-973-377-9000
Fax: +1-973-593-0359
e-mail: OhausHQ@Ohaus.com

Con uffici in Messico, Svizzera, Francia, Inghilterra, Germania, Spagna, Russia, Polonia, Giappone, Corea e Cina

* ISO 9001:2000

Registered Quality Management System

Indirizzo Internet: www.ohaus.com



Adventurer™ SL

Balanzas Analíticas y de Precisión



Ohaus Adventurer™ SL – La mejor balanza para pesadas básicas!

Diseñadas para operativa simple, las nuevas balanzas Ohaus Adventurer SL tienen solamente aquellas funciones necesarias para pesadas de rutina así como también algunos detalles de diseño que ayudan a eliminar algunos de los inconvenientes que se suelen presentar a la hora de adaptarlas en el laboratorio, la industria ó en Educación

Con una correcta combinación de características y prestaciones, las Adventurer SL ofrecen:

- **Fácil acceso, Cabina corta-aíres con puertas demontables** – todas las puertas, incluidos los paneles de cristal frontal y trasero, se desmontan en segundos, y juntamente con un fondo de acero inoxidable, hacen que la limpieza sea fácil y rápida.
- **QuadraStance™ Diseño que ofrece una mayor estabilidad** – para mejorar la estabilidad QuadraStance incorpora cuatro patas para una correcta ubicación en cualquier superficie.

Balanzas Adventurer SL

La cabina corta-aíres con puertas desmontables ofrece un cómodo acceso



Los usuarios frustrados por tener que moverse por espacios estrechos valorarán la cómoda cámara de pesada de las Adventurer SL. El corta-aíres se ha diseñado sin usar guías superiores, no hay obstáculos a la hora de poner o sacar objetos para ser pesados. Con un acceso libre de barreras, la posibilidad de vertidos accidentales se reduce y se facilita la limpieza.

La contaminación puede ser un problema en los entornos actuales de trabajo. Todas las puertas, incluidos

los paneles frontal y trasero son fáciles de quitar y sustituir para una fácil y rápida limpieza. En caso de rotura, con 3 simples pasos, cada puerta o panel pueden sustituirse en segundos.



QuadraStance™ Diseño para una mejor estabilidad

QuadraStance™ incorpora cuatro patas regulables para una mejor estabilidad en cualquier superficie. QuadraStance ayuda a prevenir oscilaciones o inclinaciones, aumentando la estabilidad de la balanza y manteniendo la Adventurer SL bien centrada y nivelada.

Adicionalmente, Adventurer SL dispone de una indicación de nivel frontal eliminando así la necesidad de buscar tras la balanza durante el proceso de nivelación. Una rápida ojeada al indicador de nivel frontal ayuda a asegurarnos de que la balanza esté siempre bien nivelada.



Justo las prestaciones que se necesitan

Con doce modelos para elegir, las Adventurer SL han sido diseñadas para realizar pesadas de rutina, y vienen justo con aquellas más usadas en el laboratorio, la industria o la enseñanza:

Las Aplicaciones incluyen:

- Recuento de Piezas con Optimización – permite contar piezas en base a una referencia de peso. La auto-optimización, mejora la exactitud del recuento mediante un recálculo del peso promedio por pieza.
- Percentage Mode – Este modo permite al usuario convertir el peso de una muestra en un porcentaje

Ajustes a su entorno seleccionables

- Tres tipos de filtros y un seguimiento del cero son ideales para trabajar en aplicaciones delicadas de llenado donde la sensibilidad es importante. Cuando se trabaja en entornos duros, es posible ajustar la balanza para compensar las vibraciones u otras perturbaciones.

Funda de protección

La funda de uso es reemplazable y ofrece protección contra polvo o suciedad, minimizando la posibilidad de avería del display y de las teclas de operación.

Otras Características



Seguridad
Para prevenir posibles movimientos ó robos, una abrazadera

e seguridad integrada facilita la fijación de la balanza a un lugar seguro mediante el accesorio.

Fácil de Limpiar

El plato de acero inoxidable de las Adventurer SL se puede sacar fácilmente para una limpieza rápida y efectiva

Alimentador AC i/o a pilas

Algunos modelos son portátiles y pueden trabajar o bien con el adaptador AC incluido ó con 4 pilas alcalinas. Una función auto desconexión alarga la vida de las pilas



Múltiples Unidades de pesada

Las distintas unidades de pesada incluyen una unidad definible por el usuario a fin de utilizarla para cálculos en aplicaciones especiales

Teclado de fácil uso

Las cuatro teclas de función del teclado YES, NO, BACK y EXIT simplifican la navegación por los menús y la configuración de la balanza



Gancho para pesar por debajo

Las Adventurer SL tienen un gancho de pesada por debajo para la determinación de Densidades ó para el cálculo de pesos específicos de muestras

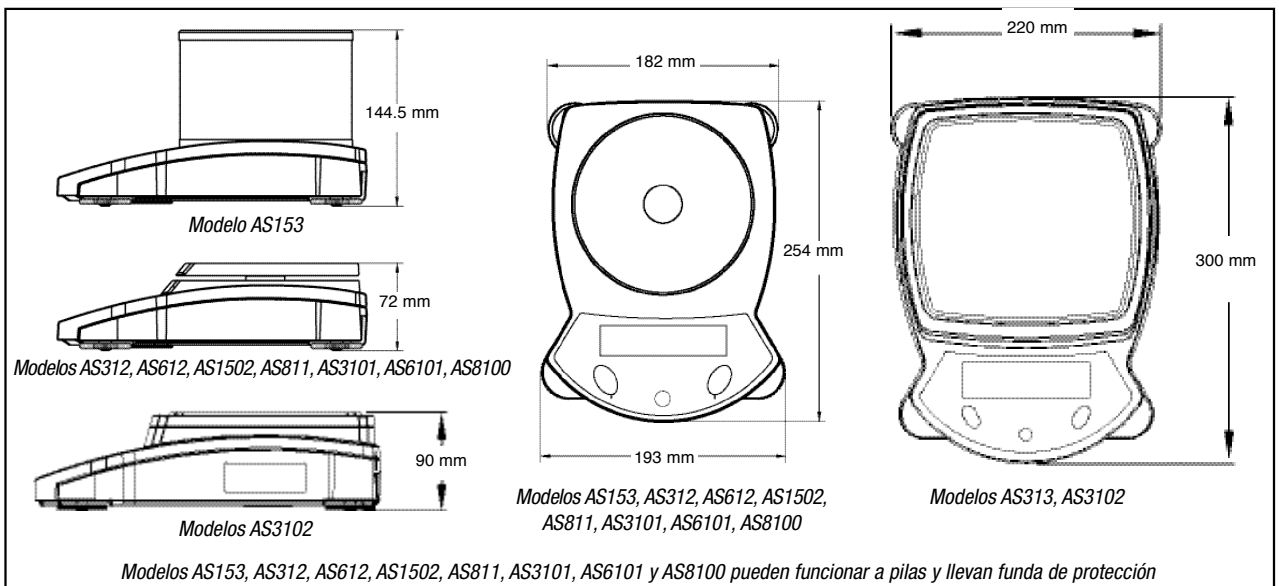


Especificaciones Generales

Unidades de pesada*	Miligramo, Gramo, Kilogramo, Onzas, Libras, Quilates, Pennyweight, Onza Troy, Grain, Newton, Hong Kong Tael, Singapore Tael, Taiwan Tael, Momme, Tical, Baht, Mesghal, Tola, Custom
Aplicaciones	Pesada, Recuento de piezas, Pesada en porcentajes
Rango de tarar	capacidad total por sustracción
Temperatura de Trabajo	de 10° a 30°C
Calibración Digital	con pesa externa
Tipo de display	LCD
Dimensiones display (cm)	10 x 2.5

* Unidad Milligramo solo disponible en modelos de 0.1mg a 1mg
Unidades Kilogramo y Libra solo disponibles en modelos de 0.01g a 0.1g

Esquema dimensional, Balanzas de Precisión

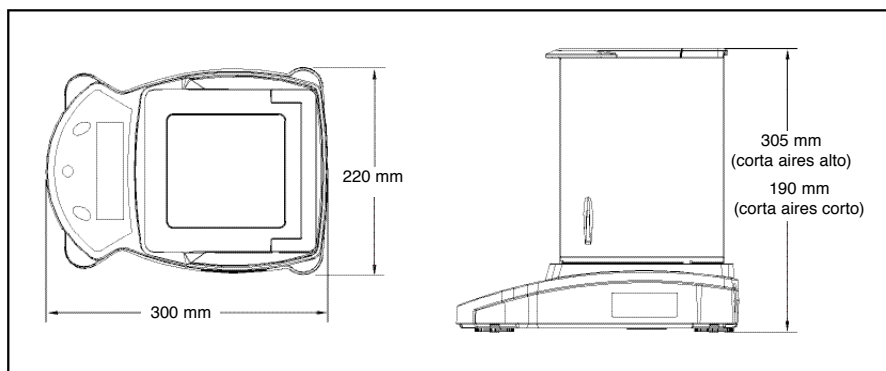


Balanzas Adventurer SL

Especificaciones técnicas Balanzas Analíticas y de Precisión

Alcance (g)	65	210	150	310	310	610	1500	3100	810	3100	6100	8100
Escalón (g)	0.1 mg		0.001 g			0.01 g			0.1 g		1 g	
Repetibilidad (Std. dev.) (g)	0.1 mg		0.001 g			0.01 g			0.1 g		1 g	
Linealidad (g)	± 0.2 mg		± 0.002 g			± 0.02 g			± 0.2 g		± 2 g	
Tiempo de estabilización (seg)	3		2.5		3		3			1	2	1
Alimentación eléctrica	Adaptador AC (Incluido)		Adaptador AC (Incluido) ó 4 pilas AAA (No Incluidas)	Adaptador AC (Incluido)	Adaptador AC (Incluido) ó 4 pilas (No incluidas)		Adaptador AC (Incluido)		Adaptador AC (Incluido) ó 4 pilas (No incluidas)			
Tipo de corta-aíres	Cuadrado		Redondo	Cuadrado		Ninguno						
Altura sobre el plato (cm)	22		7	11.5								
Dims. plato (cm)	9 dia.		10 dia.	12 dia.		14.9 x 16.2	16.8 x 18		14.9 x 16.2			
Dimensiones de la balanza Ancho x Alto x Fondo (cm)	22 x 30.5 x 30		19.3 x 14.5 x 25.4	22 x 19 x 30		19.3 x 7.2 x 25.4		22 x 8.5 x 30		19.3 x 7.2 x 25.4		
Dimensiones de envío Ancho x Alto x Fondo (cm)	39 x 52.5 x 50		27.6 x 27.6 x 38.5	39 x 41 x 50		27.6 x 16 x 38.5		39 x 33 x 50		27.6 x 16 x 38.5		
Peso Neto (kg)	4		1.4	3.3		1.5		2.8		1.6		
Peso de envío (kg)	7		2.6	6.2		2.4		5.7		2.5		
Modelos	AS64	AS214	AS153	AS313	AS312	AS612	AS1502	AS3102	AS811	AS3101	AS6101	AS8100

Esquema dimensional, Balanzas de Precision y analíticas



Otras características y prestaciones

Indicador de estabilización, protección de sobrecargas mecánica y por software, indicación de pilas bajas, varios puntos de calibración seleccionables, reset del menu por software.

Aprobaciones

CE, FCC, cULUS, cCSAUS, NRTL

C Tick

CB Scheme

IP33 (sin adaptador AC; con el platillo puesto)

IP20 (con adaptador AC, con el platillo puesto)

Accesorios

Kit determ. Densidades (balanzas de 0.1/1mg)80850045
 Dispositivo de seguridad80850000
 Pesas de CalibraciónContacte con Ohaus para detalles

Referencia

Calidad y apoyo de una industria leader

Todas las balanzas Adventurer™ SL están fabricadas conforme a las normas ISO 9001:2000 Quality Management System. Nuestra robusta construcción junto a un exigente control de calidad han constituido nuestro sello de distinción desde hace casi un siglo.

Ohaus

C/. Miguel Hernández, 69-71
 08908 l'Hospitalet de Llobregat
 Barcelona - Spain
 Tel.: +34 93 223 76 06
 Fax: +34 93 223 76 01
 e-mail: SpainSales@Ohaus.com

Ohaus Europe GmbH

Im Langacher
 CH-8606 Greifensee
 Switzerland
 Tel.: +41-44-944 33 66
 Fax: +41-44-944 3230
 e-mail: EuropeSales@Ohaus.com

Ohaus Corporation

*19 Chapin Road
 Pine Brook, NJ 07058 USA
 Tel.: +1-973-377-9000
 Fax: +1-973-593-0359
 e-mail: OhausHQ@Ohaus.com

Con oficinas en Mexico, Suiza, Francia,
 Gran Bretaña, Alemania, España, Italia,
 Polonia, Rusia, Japón, Corea y China

* ISO 9001

Ohaus Corporation es una compañía
 con certificado de calidad ISO 9001
 Internet Address: www.ohaus.com