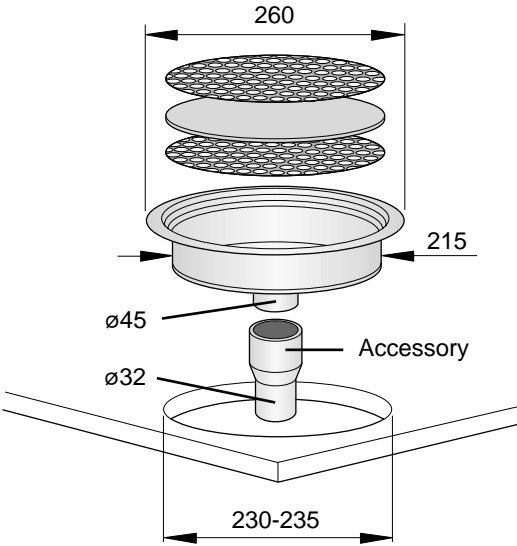
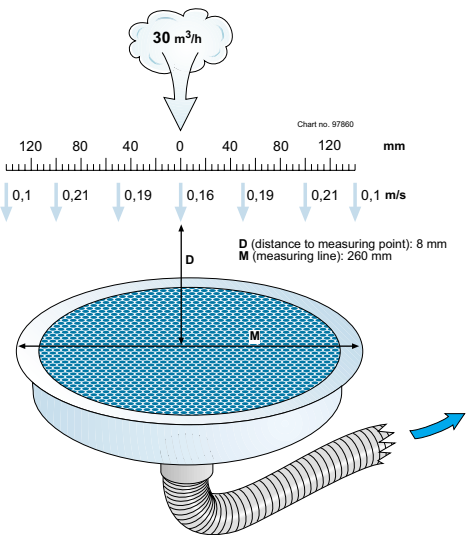


# DOWN FLOW GRILLE

Down flow grille FD 23 is a discrete capture device highly effective for capture of heavy fume from glue, composite, plastic etc. It is integrated directly in the bench top surface and does not interfere with other equipment on your workbench.



Down flow grille	Part No. 70373527
Rec. airflow	30-40 m/h <sup>3</sup>
Material	Stainless steel
Accessory	Part No. 70373605
Connection, ø45/ø32 mm	

Weight	1145g
Recovery rate	100%

Improving your workspace