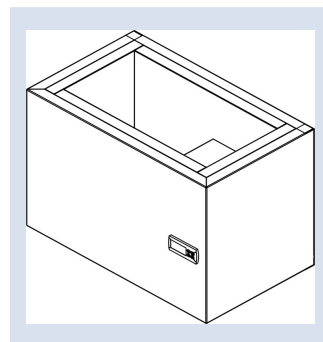


### Small Scale Chest Freezer ProfiMaster *Mini*

- Forced air circulation
- Manual defrost
- Maintenance-free cooling system
- Low-noise and low-vibration fully hermetic compressor, air-cooled
- Electronic control with digital display
- External housing and interior made of stainless steel
- 60 mm polyurethane foam insulation
- Chest cover with hinges
- Freeze-proof special seal
- Feet made of plastic



ProfiMaster *Mini* PMMI 1050EU

### Model ProfiMaster *Mini* PMMI 1050EU

Temperature range	°C : -20/-40
Content	litres (gross) : 10
Ext.dimensions (WxF-BxH)	mm : 500x320x400
Int.dimensions (WxF-BxH)	mm : 200x196x289
Weight	kgs : 40
Mains connection	volts/Hz/Ph : 230/50/1
Refrigerant	: R507

### ProfiMaster *Mini* + Accessories:

	Cat. No.
ProfiMaster <i>Mini</i> PMMI 1050EU	GTPMMI1050EU
ProfiTec Temperature Monitoring and Recording System (see sep. brochure).	GPTEC4A
Pt-100 temperature sensor, add. installed for ext. temperature recording.	on request
MIN/MAX thermometer to be placed in refrigerators or freezers.	ZXX2-019-001
Measuring range -50/+50°C, an add. temperature sensor is not required.	
MIN/MAX digital thermometer. Hand-held unit with digital display as well as data-hold and relative measuring function. Measuring range -200/+1370°C.	ZXX2-019-011
An add. temperature sensor is required, eg. Cat.-No. ZXX2-022-100.	
Temperature sensor for MIN/MAX thermometer ZXX2-019-011.	ZXX2-022-100
Measuring range -100/+1000°C. Length 2 m. Other ranges on request.	

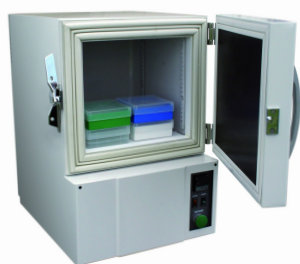
**Innovation prize 2000**

### ProfiTec Intelligent Temperature Monitoring and Recording System



- For up to 4 refrigerators and/or freezers
- Readings are stored over a period up to 781 days
- Warning for excess and insufficient temperature
- Includes No-volt remote alarm contact
- The measuring protocol can be fed to PC via RS 232 port

### ProfiLine Pegasus PLPE0486



### FrostBox FB20



### ProfiMaster PMU03

