

GX Wolf Microscopes

L3001 Series

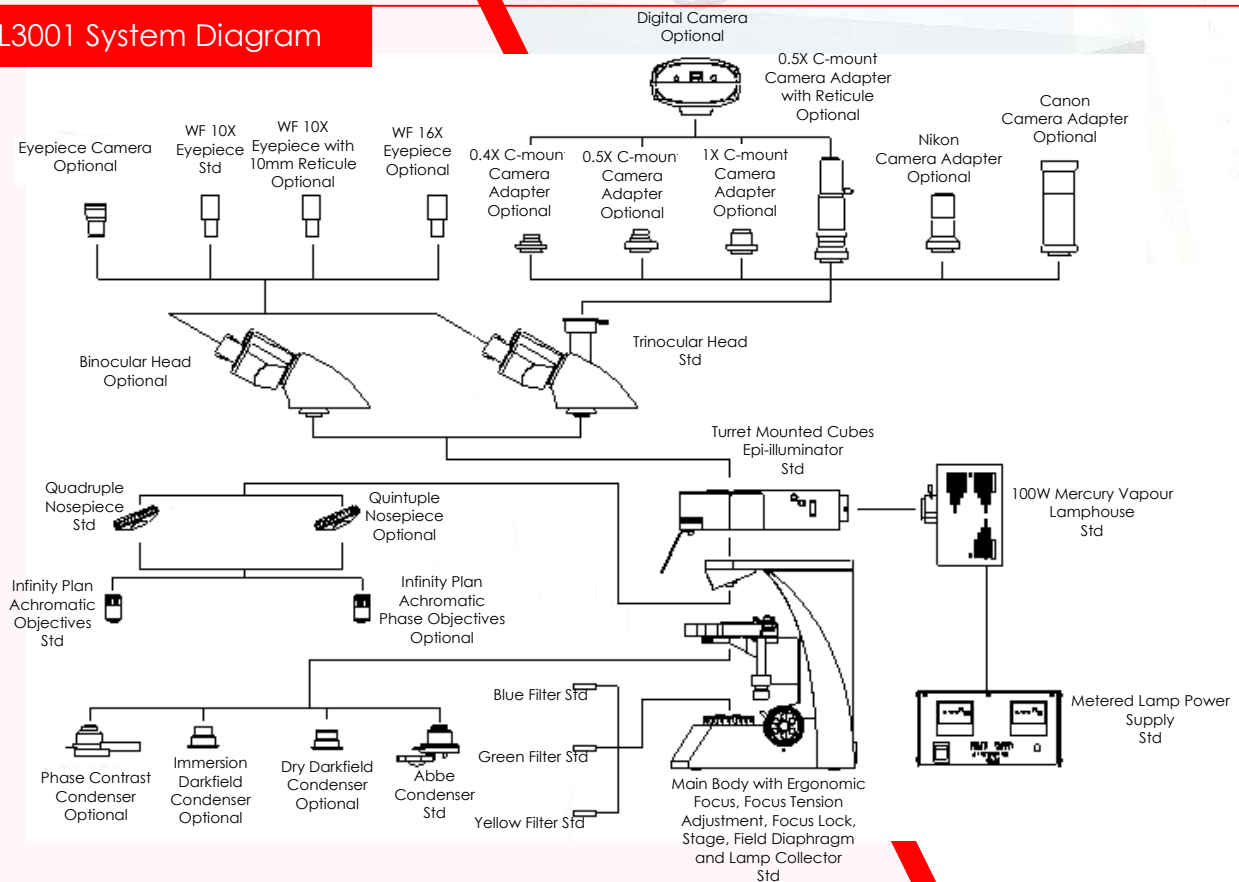
High performance
fluorescence microscope

product datasheet

- Infinity corrected optics
- 4 fluorescence cubes included as standard
- Trinocular head
- Koehler illumination
- Rotating filter cube turret
- Ergonomic focus control
- Superb quality optics
- Outstanding value for money



L3001 System Diagram



Features & Specifications

Quality & Value

Representing amazing value for money the new L3001 infinity optics trinocular fluorescence microscope is designed for use in laboratories undertaking routine fluorescence microscopy such as hospitals and universities.

This high quality instrument is equipped with a mercury vapour fluorescence epi-illuminator which includes a lamp condition indication, a full range of high quality infinity corrected plan achromatic objectives.

Fully Equipped

A full set of 4 filter cubes are included as standard and are mounted in rotatable filter cube turret.

Specimens can be mounted on the large mechanical stage and secured in place with the springloaded slide holder. The stage has aside mounted coaxial control and provides very smooth movement through the bearing mounted stage.

Wide Field Optics & Digital Imaging

You can view your specimens through crystal sharp widefield eyepieces or via a high resolution digital camera (optional) mounted on the photoport of the trinocular head. To ensure maximum comfort the interpupillary distance and diopter setting can be adjusted.

Unobstructed Slide Mounting

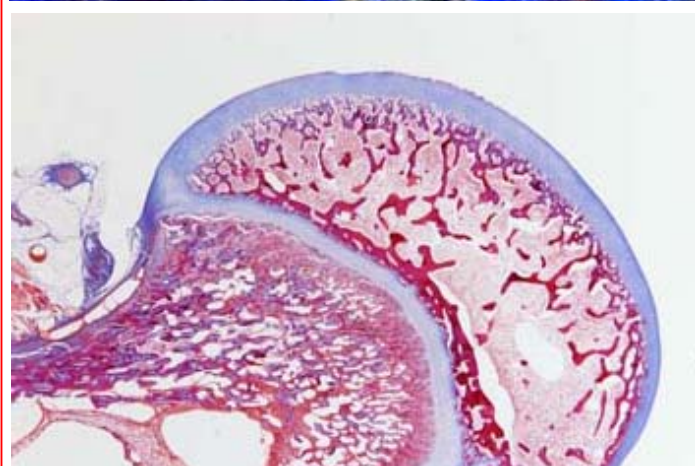
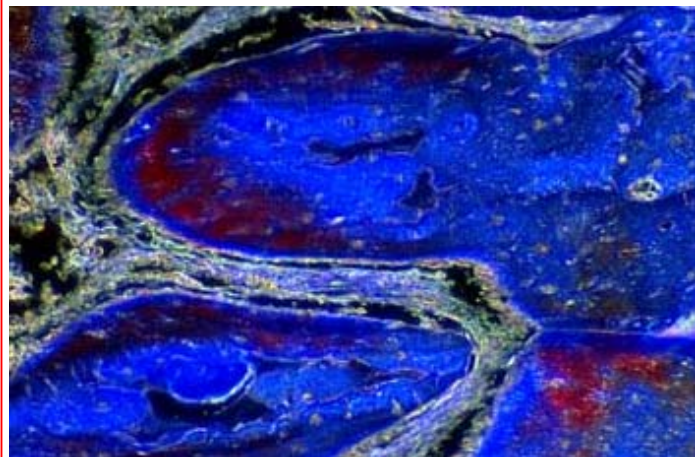
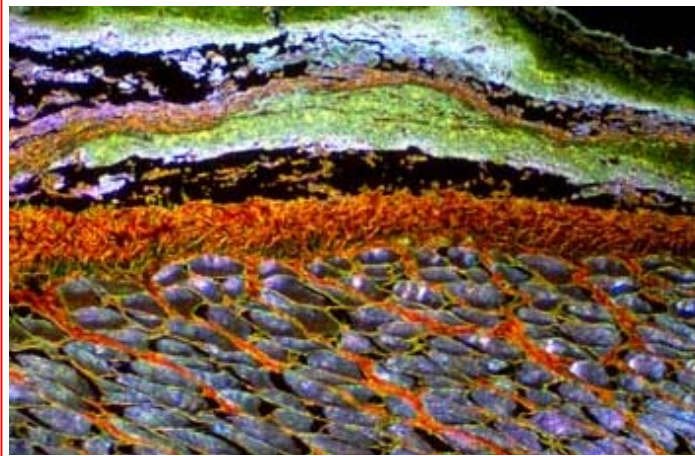
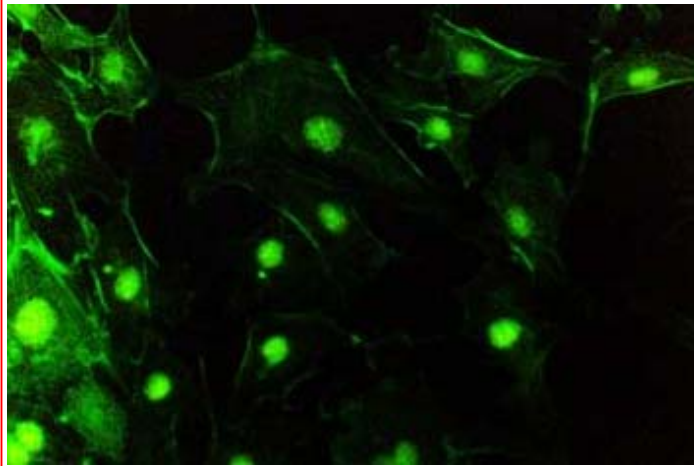
The objectives are mounted in a quadruple nosepiece and rotate inwards to provide an unobstructed specimen loading/unloading area. Koehler transmitted light illumination is included as standard this microscope.

Ergonomic

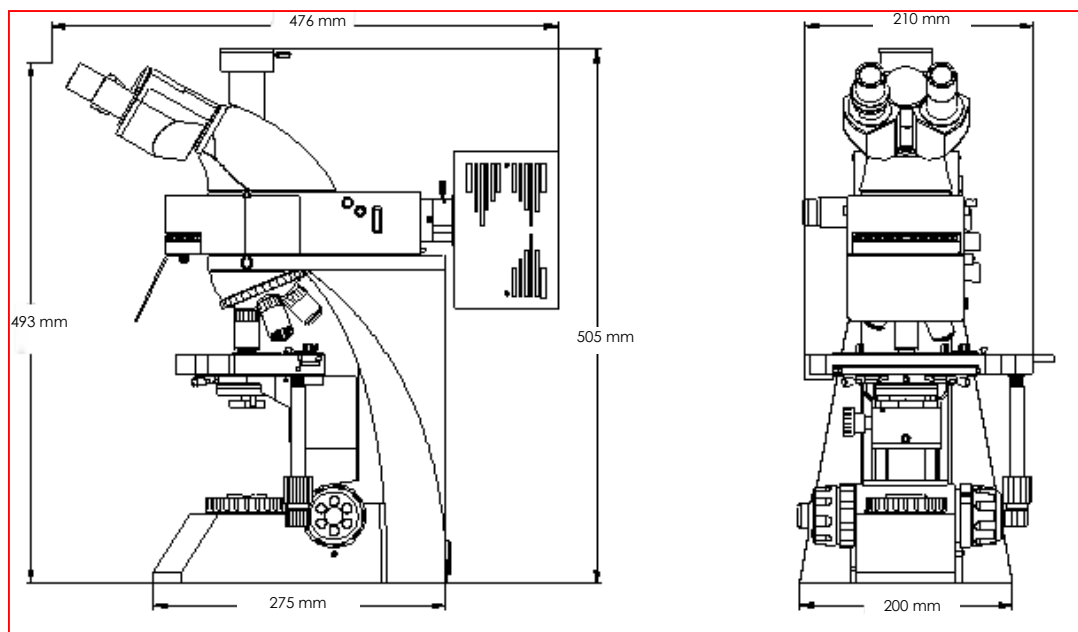
The ergonomic focus controls reduce strain during prolonged observations. The focus mechanism can be easily adjusted for tension and a focus lock can be set to reduce risk of damage to the optics and specimens.

Other options include darkfield illumination and phase contrast kits.

Typical applications include GFP, immunolabelling, FISH, histochemistry and cytology.



Specifications		
Eyepieces	Wide field	WF10X(Φ 20mm) (1040010)
		WF10X(Φ 20mm) with 10/0.1mm reticule (1021010)
		WF16X(Φ 11mm) (1051016)
Objectives mounted on reversed quadruple nosepiece	Infinity plan achromatic	PL4X/0.1 (2060104)
		PL10X/0.25 (2060110)
		PL40X/0.65 (spring) (2060140)
		PL100X/1.25 (oil) (spring) (2060111)
Trinocular Head	30° Compensation binocular eyepiece tube, 30° inclination and 360° rotation, Interpupillary distance and diopter adjustment, Vertical Phototube (3161421) Binocular optional	
Epifluorescence Unit	Power supply unit 110V/220V (3341511)	
	Mercury lamp house 100W/DC (3341221) 110/240V	
	Reflected fluorescence illuminator turret (UV.V.B.G cubes included as std.) (3161321)	
Condenser	Abbe condenser with diaphragm, height adjustable NA=1.25 (3080612)	
Transmitted Light	20W 6V adjustable intensity	
Focus	Very smooth coaxial coarse fine focus left side, ergonomic fine focus right side, focus lock and tension adjustment, minimum graduation 0.002mm	
Main Body	Stylish, high quality metal body with easy-to clean resistant paint coating with illumination collector lens and field diaphragm mounted in base 110/240V	
Stage	Large, bearing mounted mechanical stage with spring loaded slide clips size: 210X140mm; movement range: 50X70mm	
Options	Digital Cameras & Adapters Darkfield Condenser - dry Darkfield Condenser - immersion Phase Contrast Kits	



Wolf Laboratories Limited

Colenso House
1 Deans Lane
Pocklington
York YO42 2PX

Tel 01759 301142
Fax 01759 301143
Email sales@wolflabs.co.uk
Web www.wolflabs.co.uk

Due to our policy of continuous development specifications may change without notice

July 06