

Hypoxic Cabinets

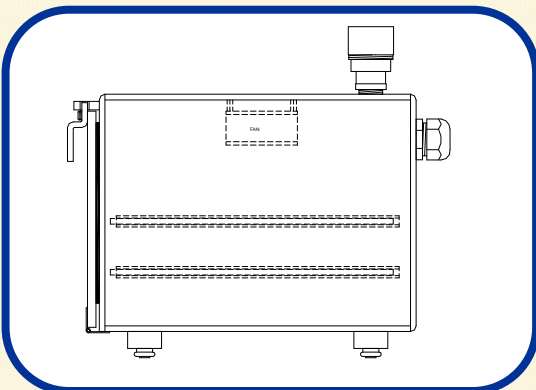
In vivo & In vitro



The Hypoxic Cabinet allows you to quickly and conveniently incubate samples (animal or cell culture) at reduced or elevated O₂ levels. Cell Culture cabinets are designed to fit into an existing incubator for longer term incubation. The System offers you the ability to change the O₂ levels automatically with a sensor monitoring the conditions constantly and the Controller adjusting for changes to the desired set point by purging N₂ gas or optionally O₂ gas for Hyperoxic operation. This avoids the purchase of costly gas mixes to satisfy a complete range of O₂ levels.

Complete System Includes:

- O₂ Controller + Sensor
- N₂ Gas Regulator
- Pressure relief valve
- 2 sensor ports
- Circulation Fan
- Gas Inlet
- Sliding Shelf(s) for Cell culture units



The Hermetic Seal insures that even with the controllers unattached you can maintain set O₂ levels for long periods of time. This also translates into better gas consumption as the "diffusion rate" is significantly reduced over a semi sealed cabinet.

System Options

- Heaters for precise temperature control.
- CO₂ Control System (Sensor, tubing and gas regulator included) 0-20% control
- Tray for containment of water/desiccant or animal waste byproducts removal
- Cycling between multiple O₂ set points automatically
- Voltage Output for readouts sent to computer or other such program



Hypoxic In-Vivo model 2 Cabinet

Hypoxic Cabinets

In vivo & In vitro

Hypoxic In Vitro Sizes

Part #	Description	Size
8420110	Hypoxic In-Vitro Cabinet - Model 1	8.25" H x 16" W x 14" D (210 x 406 x 355 mm)
8420120	Hypoxic In-Vitro Cabinet - Model 2	10.5" H x 16" W x 14" D (266 x 406 x 355 mm)
8420130	Hypoxic In-Vitro Cabinet - Model 3	12.75" H x 16" W x 14" D (323 x 406 x 355 mm)
8420140	Hypoxic In-Vitro Cabinet - Model 4	15" H x 16" w x 14" D (381 x 406 x 355 mm)

**Note: Model number indicates number of shelves in the unit*



CO₂ Controller

Operation

O₂ Control happens by connection of a tank of N₂ inserting the Sensor into the provided Port. Choosing a desired Set-Point (increments of .1%). The controller monitors the readings of the Sensor and injects N₂ (O₂ for Hyperoxic Conditions) as needed. Excess gas is vented through the Automatic Pressure Relief Valves.

Pull out shelves enable easy access to the interior. In Vitro units shelf spacing is 1.5". In Vivo units are equipped with 1 shelf for cage support.

Custom Sized Units available to fit your specific Lab needs.

Hypoxic In Vivo Sizes

Part #	Description	Size
8430115	Hypoxic In-Vivo Cabinet -Model 15	15" W x 20" D x 20" H (381 x 508 x 508 mm)
8430130	Hypoxic In-Vivo Cabinet -Model 30	30" W x 20" D x 20" H (762 x 508 x 508 mm)
8430160	Hypoxic In-Vivo Cabinet -Model 60	60" W x 20" D x 20" H (1524 x 508 x 508 mm)

NOTE: Model number indicates Length Dimension