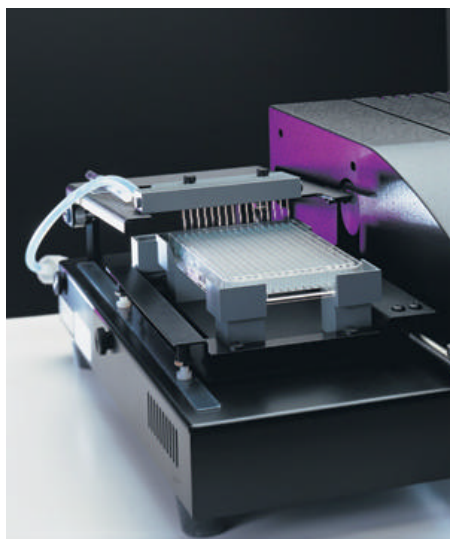


Microplate Reagent Dispenser – AF1000 & AF1000A

● Overview

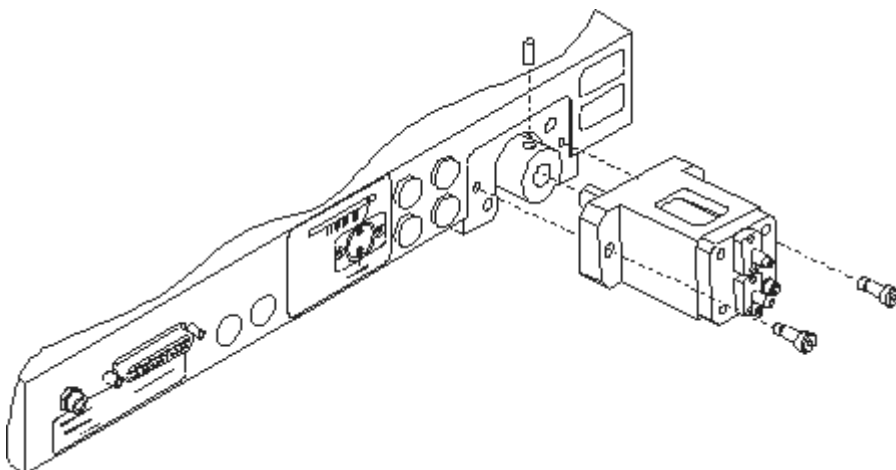
µFill™ offers an economical, compact, and reliable alternative to existing microplate dispensers. Accurate and precise dispensing are guaranteed without the time-consuming recalibration, cassette replacement, and maintenance commonly associated with other dispensers available today. An autoclavable model is also available for those applications requiring a sterile fluid path.

Using Bio-Tek's vast expertise in liquid handling, µFill™ incorporates a microprocessor controlled syringe pump for optimal performance. 96-, 384- and 24-well standard microplates and deep well blocks are accommodated with flexible volume ranges from 5 µl to 6,000 µl per well. µFill's compact footprint makes it ideally suited to fit inside laminar flow cabinets. The user-controlled dispense flow rates allow low- to high-velocity dispensing for any application. Twenty microliters are dispensed across a 384-well plate in 12 seconds.



● Features

- Robot compatible carrier accommodates 96-, 384- and 24-well standard and deep well microplates
- Microprocessor-controlled syringe pump guarantees optimal precision and accuracy
- No recalibration required
- Low-maintenance design with Bio-Tek's long history of liquid handling instruments
- User-controlled dispense flow rates for low- to high-velocity dispensing
- Up to 75 programs stored in multiple languages at the touch of a button
- Built-in maintenance routines



µFill's autoclavable syringe pump is changed in seconds for guaranteed sterility and no reagent carryover.

Wolf Laboratories

Tel: 01759 301142 Fax: 01759 301143 Email: sales@wolflabs.co.uk Website: www.wolflabs.co.uk

Models

Model	µFill™	
	AF1000	AF1000A
Part #		
96-/384-well	●	
24-, 96- and 384-well		●
Autoclavable		●
Organic solvents		●

Language versions available: English, French, German, Italian, and Spanish.

Part Numbers

AF1000

µFill™ Microplate Reagent Dispenser

AF1000A

µFill™ Microplate Reagent Dispenser with completely autoclavable fluid path for guaranteed sterility

Specifications

Microplate types	Microplates: 24-, 96- and 384-well standard microplates, deep-well blocks and 1.2 mL test tubes, 96-well Half Area and PCR microplates Microstrips: 1x8 and 1x16
Processing speed	20 µl into 384 wells = 12 sec 20 µl into 96 wells = 4 sec
Volume range	384 wells: 5 to 1500 µl per well 96 wells: 10 to 3000 µl per well 24 wells: 20 to 6000 µl per well
Fluid delivery	Microprocessor controlled syringe pump
Dispense accuracy	1% at 80 µl typical
Dispense precision	1.5% CV at 80 µl
Dispenser	16 channels for both standard and deep-well 96- and 384-well microplates. 8 channels for 96-well Half Area microplates, 96-well PCR microplates, and 24-well microplates.
Sterilization	Autoclavable fluid path: Manifold tubing, check valves, syringe cylinder and piston easily removable for steam autoclaving. Compatible with 134°C and 216 kPa cycles.
Onboard software	Microprocessor capacity: Up to 75 custom programs stored for instant recall. Program linking: Up to 30 programs linked together for complex assays. Language support: English, French, Spanish, German and Italian
PC software	ActiveX component (optional)
Power	100 to 250 V _{AC} , 50 to 60 Hz Max amperage 40 VA
Dimensions	18" D x 15" W x 7"H (46 cm x 38 cm x 18 cm)
Weight	20 lbs (8.9 kg)
Regulatory	For in vitro diagnostic use (Except in the European Union). All Bio-Tek microplate instrumentation is CE and ETL marked. For details on approvals and standards compliance, please contact Bio-Tek.
Automation	Compatible with Bio-Stack and Fastrack microplate stacking devices.

● Accessories Included

- Operator's manual
- Priming trough
- Priming trough draining set (7140006)
- Supply tubing set
- Aerosol cover
- 16-channel dispense manifold for 96- and 384-well microplates
- Maintenance kit
- Serial cable
- Reagent bottle (2)

● Optional Accessories

- μ Fill™ ActiveX™ Programmer's Package (7140202)
Forwards control commands from a PC-based container application to Bio-Tek's μ Fill. For experienced computer programmers.
- RS-232 serial cable (75053)
- 8-channel autoclavable manifold for 96-well 1/2 area and PCR plates (7140515S)*
- 8-channel autoclavable manifold for 24-well plates (7140518S)*
- PCR plate adaptor (6002076)
- Supply tubing set for dispensing organic solvents (7140514)*
- Spare autoclavable syringe head with piston (7140516)*
- Spare standard 16-channel manifold (7140506)
- Spare autoclavable 16-channel manifold (7140508)*
- Spare standard tubing set (7140505)
- Spare autoclavable tubing set (7140510)*
- Product Qualification Package

*For use with AF1000A model only.